

VORTICE VARIO RANGE

EXTRACT AND INTAKE AXIAL FANS
SUITABLE FOR AIR EXTRACTION DIRECTLY TO THE OUTSIDE
OFFERING A WIDE VARIETY OF INSTALLATION POSSIBILITIES

  **CE IPX4**  **LONG LIFE 30.000 h**



VENTILATION
AIR CONDITIONING
AIR CLEANING
HEATING



VORTICE VARIO

2



2

Standard installation options:
wall/window-mounted and built-in

3

Model sizes:
Ø 150/6" - Ø 230/9" - Ø 300/12"

2

Operating modes:
automatic and manual (pull cord)

8

Kits for special applications

VORTICE VARIO FANS PROVIDE A MODERN AND FLEXIBLE SOLUTION TO IMPROVE THE QUALITY OF AIR WE BREATHE DAILY IN ANY DOMESTIC OR COMMERCIAL ENVIRONMENT



- VILLAS
- DWELLINGS
- SHOPS & CAFÉS
- SPORTS CENTRE /GYMS
- RESTAURANTS

- PUBLIC HOUSES
- OFFICES
- SCHOOLS
- COMMUNITY HALLS
- AND MANY MORE...

2 Performance levels:
normal (with bush bearings),
LL-long life (with ball bearings)

10 Controller options:
4 speed controllers
1 infra-red remote control
5 environmental controllers

VORTICE VARIO OFFERS A WIDE RANGE OF MODELS AND A VARIETY OF INSTALLATION POSSIBILITIES TO SUIT EVERY KIND OF VENTILATION REQUIREMENT

VORTICE VARIO

4



PRODUCT REFERENCES

P

PULL CORD
Manual



A

AUTOMATIC
Automatic shutters

R

REVERSIBLE

LL

LONG LIFE
with ball bearings



S

SUPER
Boosted performance



I

BUILT-IN

● OPTIMAL ENERGY EFFICIENCY

The Vortice Vario models are among the best of their category in terms of performance and low energy consumption thanks to highly efficient impellers.

● CERTIFIED SILENT OPERATION

Great care has been taken to ensure extremely low noise levels. All technical data has been certified by TÜV Italy.

● HIGH FLEXIBILITY

Vortice Vario fans are designed to provide high flexibility and a wide choice of applications in order to satisfy even the most demanding requirements.

● ITALIAN DESIGN

Of course design is always a must for Vortice. The stylish aesthetic appearance of Vortice Vario fans make them ideally suited for installation in all environments.

● LOW ENVIRONMENTAL IMPACT

Vortice Vario fans are carefully designed to provide a low environmental impact, using recyclable materials and following the new "Design for Disassembly" technique to provide easy and environmentally friendly disposal of components. Vortice avoid polluting technologies in the production cycle, and even the packaging of the products adopts recycled paper and safe non polluting inks. Energy consumption is optimised both during production and operation. Acoustic pollution has also been minimised.

● QUICK AND EASY TO INSTALL

The whole range is manufactured to match high technology specifications and provide ease of installation. Based on this practical approach all installation procedures are significantly simplified to reduce time and save money during set-up and installation.

● OPERATING CONDITIONS

All Vortice Vario Fans are suitable for continuous operation at 50° C (max), with a Relative Humidity (RH) of up to 95% (max).

● OVERALL DIMENSIONS

The use of internal space is carefully optimised in order to significantly reduce the overall dimensions of the Vortice Vario range. This compact design ensures not only a high flexibility of installation, but allows the replacement of equivalent models of previous V range.

● HIGH-TECH IMPELLERS

The design and fine tuning phases of new Vortice Vario Range impellers are carried out in partnership with qualified Italian Aerodynamic University Institutes. This joint effort results in high performances, low energy consumption and highly reduced noise levels. Vortice Vario impellers are made in polypropylene reinforced with glass fibre to protect them from deformation during continuous stress.

● HIGH-QUALITY MATERIALS

The outer casing is made from shock-resistant UV stabilised ABS. Structural components in UV resistant ABS, internal components from shock resistant PS.

● MOTORS

Available both with bush and ball bearings, all motors have enclosed windings with a cover of galvanised stamped plate, 8 mm shaft diameter, gaskets made from EPDM to ensure good water protection. A thermal fuse protects against possible overheating.



● SAFETY MARKS AND CERTIFICATIONS



Vortice Vario fans are EC marked in accordance with the Low Voltage Directive 2006/95/EC and the Electromagnetic Compatibility Directive 2004/108/EC.

All fans are also IMQ (Italian Safety Institute) certified in compliance with EN 60335-2-80.

● CERTIFIED PERFORMANCES



Data and performances IMQ Performance certified (Only 220-240 V / 50-60 Hz versions)

INSTALLATIONS

6



Built-in wall mounting (with telescopic frame)

| Model | Code | Kits required (codes) (5) | Wall thickness (min/max) |
|------------------|-------|---------------------------|--------------------------|
| 150/6" ARI | 12613 | none | 220 ÷ 330 |
| 150/6" ARI LL S | 12616 | none | 220 ÷ 330 |
| 230/9" ARI | 12453 | none | 220 ÷ 330 |
| 230/9" ARI LL S | 12456 | none | 220 ÷ 330 |
| 300/12" ARI | 12413 | none | 220 ÷ 330 |
| 300/12" ARI LL S | 12416 | none | 220 ÷ 330 |

Built-in wall mounting (without telescopic frame)

| Model | Code | Kits required (codes) | Wall thickness (min) |
|------------------|-------|-----------------------|----------------------|
| 150/6" ARI | 12613 | none | 135 |
| 150/6" ARI LL S | 12616 | none | 135 |
| 230/9" ARI | 12453 | none | 180 |
| 230/9" ARI LL S | 12456 | none | 180 |
| 300/12" ARI | 12413 | none | 210 |
| 300/12" ARI LL S | 12416 | none | 210 |

Built-in deep wall mounting

| Model | Code | Kits required (codes) | Thickness min/max |
|------------------|-------|-----------------------|-------------------|
| 150/6" ARI | 12613 | 13015 | 260 ÷ 460 |
| 150/6" ARI LL S | 12616 | 13015 | 260 ÷ 460 |
| 230/9" ARI | 12453 | 13016 | 320 ÷ 500 |
| 230/9" ARI LL S | 12456 | 13016 | 320 ÷ 500 |
| 300/12" ARI | 12413 | 13017 | 375 ÷ 515 |
| 300/12" ARI LL S | 12416 | 13017 | 375 ÷ 515 |

Duct included

Built-in panel, ceiling and false ceiling mounting

| Model | Code | Kits required (codes) |
|------------------|-------|-----------------------|
| 150/6" ARI | 12613 | 13012 |
| 150/6" ARI LL S | 12616 | 13012 |
| 230/9" ARI | 12453 | 13012 |
| 230/9" ARI LL S | 12456 | 13012 |
| 300/12" ARI | 12413 | 13014 |
| 300/12" ARI LL S | 12416 | 13014 |

Built-in wall mounted for remote application

| Model | Code | Kits required (codes) |
|------------------|-------|-----------------------|
| 150/6" ARI | 12613 | 13027 + 13012 + 13015 |
| 150/6" ARI LL S | 12616 | 13027 + 13012 + 13015 |
| 230/9" ARI | 12453 | 13028 + 13012 + 13016 |
| 230/9" ARI LL S | 12456 | 13028 + 13012 + 13016 |
| 300/12" ARI | 12413 | 13029 + 13014 + 13017 |
| 300/12" ARI LL S | 12416 | 13029 + 13014 + 13017 |

Duct not included



Built-in roof mounted for remote application

| Model | Code | Kits required (codes) |
|------------------|-------|-----------------------|
| 150/6" ARI | 12613 | 13001 + 13027 + 13012 |
| 150/6" ARI LL S | 12616 | 13001 + 13027 + 13012 |
| 230/9" ARI | 12453 | 13002 + 13028 + 13012 |
| 230/9" ARI LL S | 12456 | 13002 + 13028 + 13012 |
| 300/12" ARI | 12413 | 13003 + 13029 + 13014 |
| 300/12" ARI LL S | 12416 | 13003 + 13029 + 13014 |

Duct not included

Single-glazed window

| Model | Code | Kits required (codes) (1) | Thickness (min/max) |
|-----------------|--------------|---------------------------|---------------------|
| 150/6" P | 12611/12617* | none | 3 ÷ 38 |
| 150/6" P LL S | 12614 | none | 3 ÷ 38 |
| 150/6" AR | 12612/12618* | none | 3 ÷ 38 |
| 150/6" AR LL S | 12615 | none | 3 ÷ 38 |
| 230/9" P | 12451/12457* | none | 3 ÷ 38 |
| 230/9" P LL S | 12454 | none | 3 ÷ 38 |
| 230/9" AR | 12452/12458* | none | 3 ÷ 38 |
| 230/9" AR LL S | 12455 | none | 3 ÷ 38 |
| 300/12" AR | 12412/12417* | none | 3 ÷ 38 |
| 300/12" AR LL S | 12415 | none | 3 ÷ 38 |

*127 V 60 Hz

Double-glazed window

| Model | Code | Kits required (codes) (1) | Thickness (min/max) |
|-----------------|--------------|---------------------------|---------------------|
| 150/6" P | 12611/12617* | none | 3 ÷ 38 |
| 150/6" P LL S | 12614 | none | 3 ÷ 38 |
| 150/6" AR | 12612/12618* | none | 3 ÷ 38 |
| 150/6" AR LL S | 12615 | none | 3 ÷ 38 |
| 230/9" P | 12451/12457* | none | 3 ÷ 38 |
| 230/9" P LL S | 12454 | none | 3 ÷ 38 |
| 230/9" AR | 12452/12458* | none | 3 ÷ 38 |
| 230/9" AR LL S | 12455 | none | 3 ÷ 38 |
| 300/12" AR | 12412/12417* | none | 3 ÷ 38 |
| 300/12" AR LL S | 12415 | none | 3 ÷ 38 |

*127 V 60 Hz

- (1) No kit required for window/panels with thickness ranging from 3 to 38 mm
- (2) For installation in double-glazed(opening) window with thickness ranging from 30 to 43 mm
- (3) For installation on double (opening) window with thickness ranging from 230 to 300 mm
- (4) For installation on walls with thickness ranging from 38 to 300 mm
- (5) No kit is required for walls with thickness ranging from 135 to 210 mm



Double-glazed (opening) window

| Model | Code | Kits required (codes) (2) | Thickness (min/max) |
|-----------------|--------------|---------------------------|---------------------|
| 150/6" P | 12611/12617* | 13021 | 30 ÷ 43 |
| 150/6" P LL S | 12614 | 13021 | 30 ÷ 43 |
| 150/6" AR | 12612/12618* | 13021 | 30 ÷ 43 |
| 150/6" AR LL S | 12615 | 13021 | 30 ÷ 43 |
| 230/9" P | 12451/12457* | 13022 | 30 ÷ 43 |
| 230/9" P LL S | 12454 | 13022 | 30 ÷ 43 |
| 230/9" AR | 12452/12458* | 13022 | 30 ÷ 43 |
| 230/9" AR LL S | 12455 | 13022 | 30 ÷ 43 |
| 300/12" AR | 12412/12417* | 13023 | 30 ÷ 43 |
| 300/12" AR LL S | 12415 | 13023 | 30 ÷ 43 |

*127 V 60 Hz



Panel/wall mounting with darkroom cowl

| Model | Code | Kits required (codes) |
|----------------|--------------|-------------------------------------|
| 230/9" P | 12451/12457* | panel: 13004 wall: 13004 + 13018 |
| 230/9" P LL S | 12454 | panel: 13004 wall: 13004 + 13018 |
| 230/9" AR | 12452/12458* | panel: 13004 wall: 13004 + 13018 |
| 230/9" AR LL S | 12455 | panel: 13004 wall: 13004 + 13018 |

*127 V 60 Hz



Double (opening) window secondary-glazed

| Model | Code | Kits required (codes) (3) | Thickness (min/max) |
|-----------------|--------------|---------------------------|---------------------|
| 150/6" P | 12611/12617* | 13024 | 230 ÷ 300 |
| 150/6" P LL S | 12614 | 13024 | 230 ÷ 300 |
| 150/6" AR | 12612/12618* | 13024 | 230 ÷ 300 |
| 150/6" AR LL S | 12615 | 13024 | 230 ÷ 300 |
| 230/9" P | 12451/12457* | 13025 | 230 ÷ 300 |
| 230/9" P LL S | 12454 | 13025 | 230 ÷ 300 |
| 230/9" AR | 12452/12458* | 13025 | 230 ÷ 300 |
| 230/9" AR LL S | 12455 | 13025 | 230 ÷ 300 |
| 300/12" AR | 12412/12417* | 13026 | 230 ÷ 300 |
| 300/12" AR LL S | 12415 | 13026 | 230 ÷ 300 |

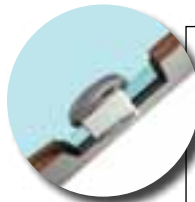
*127 V 60 Hz



Wall mounting with external cowl as a wind baffle

| Model | Code | Kits required (codes) | Thickness (min/max) |
|-----------------|--------------|-----------------------|---------------------|
| 150/6" P | 12611/12617* | 13001 + 13018 | 31 ÷ 300 |
| 150/6" P LL S | 12614 | 13001 + 13018 | 31 ÷ 300 |
| 150/6" AR | 12612/12618* | 13001 + 13018 | 31 ÷ 300 |
| 150/6" AR LL S | 12615 | 13001 + 13018 | 31 ÷ 300 |
| 230/9" P | 12451/12457* | 13002 + 13018 | 31 ÷ 300 |
| 230/9" P LL S | 12454 | 13002 + 13018 | 31 ÷ 300 |
| 230/9" AR | 12452/12458* | 13002 + 13018 | 31 ÷ 300 |
| 230/9" AR LL S | 12455 | 13002 + 13018 | 31 ÷ 300 |
| 300/12" AR | 12412/12417* | 13003 + 13018 | 31 ÷ 300 |
| 300/12" AR LL S | 12415 | 13003 + 13018 | 31 ÷ 300 |

*127 V 60 Hz



Roof mounting on window/panel

| Model | Code | Kits required (codes) |
|-----------------|--------------|-----------------------|
| 150/6" AR | 12612/12618* | 13001 |
| 150/6" AR LL S | 12615 | 13001 |
| 230/9" AR | 12452/12458* | 13002 |
| 230/9" AR LL S | 12455 | 13002 |
| 300/12" AR | 12412/12417* | 13003 |
| 300/12" AR LL S | 12415 | 13003 |

*127 V 60 Hz



Wall mounting

| Model | Code | Kits required (codes) (4) | Thickness (min/max) |
|-----------------|--------------|---------------------------|---------------------|
| 150/6" P | 12611/12617* | 13018 | 38 ÷ 300 |
| 150/6" P LL S | 12614 | 13018 | 38 ÷ 300 |
| 150/6" AR | 12612/12618* | 13018 | 38 ÷ 300 |
| 150/6" AR LL S | 12615 | 13018 | 38 ÷ 300 |
| 230/9" P | 12451/12457* | 13018 | 38 ÷ 300 |
| 230/9" P LL S | 12454 | 13018 | 38 ÷ 300 |
| 230/9" AR | 12452/12458* | 13018 | 38 ÷ 300 |
| 230/9" AR LL S | 12455 | 13018 | 38 ÷ 300 |
| 300/12" AR | 12412/12417* | 13018 | 38 ÷ 300 |
| 300/12" AR LL S | 12415 | 13018 | 38 ÷ 300 |

*127 V 60 Hz



Window/panel mounting with external cowl as a wind baffle

| Model | Code | Kits required (codes) |
|-----------------|--------------|-----------------------|
| 150/6" P | 12611/12617* | 13001 |
| 150/6" P LL S | 12614 | 13001 |
| 150/6" AR | 12612/12618* | 13001 |
| 150/6" AR LL S | 12615 | 13001 |
| 230/9" P | 12451/12457* | 13002 |
| 230/9" P LL S | 12454 | 13002 |
| 230/9" AR | 12452/12458* | 13002 |
| 230/9" AR LL S | 12455 | 13002 |
| 300/12" AR | 12412/12417* | 13003 |
| 300/12" AR LL S | 12415 | 13003 |

*127 V 60 Hz



Wall mounting for remote application

| Model | Code | Kits required (codes) |
|-----------------|--------------|-------------------------------|
| 150/6" AR | 12612/12618* | 13001+13008 +2 items 13027 |
| 150/6" AR LL S | 12615 | 13001+13008 +2 items 13027 |
| 230/9" AR | 12452/12458* | 13002+13008 +2 items 13028 |
| 230/9" AR LL S | 12455 | 13002+13008 +2 items 13028 |
| 300/12" AR | 12412/12417* | 13003+13008 +2 items 13029 |
| 300/12" AR LL S | 12415 | 13003+13008 +2 items 13029 |

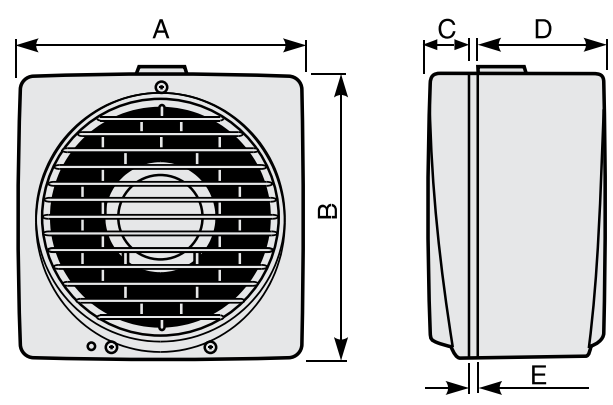
*127 V 60 Hz - Duct not included

TECHNICAL SPECIFICATIONS

| Product | Product | Code | V | Hz | W | A | m ³ /h extract (50 Hz) | m ³ /h intake (50 Hz) | rpm/1' extract (50 Hz) |
|---|-----------------|---------|---------|-------|-------|------|-----------------------------------|----------------------------------|------------------------|
|  | 150/6" P | 12611 | 220-240 | 50/60 | 18 | 0,1 | 235 | no | 1340 |
| | | 12617 | 127 | 60 | 18 | 0,14 | 235 | no | 1300 |
| | 150/6" P LL S | 12614 | 220-240 | 50/60 | 32 | 0,16 | 380 | no | 2110 |
| | 150/6" AR | 12612 | 220-240 | 50/60 | 25 | 0,11 | 235 | 150 | 1340 |
| | | 12618 | 127 | 60 | 25 | 0,22 | 235 | 140 | 1300 |
| | 150/6" AR LL S | 12615 | 220/240 | 50/60 | 35 | 0,17 | 380 | 215 | 2110 |
| | 150/6" ARI | 12613 | 220-240 | 50/60 | 25 | 0,11 | 220 | 130 | 1330 |
| 150/6" ARI LL S | 12616 | 220-240 | 50/60 | 35 | 0,17 | 350 | 200 | 2080 | |
|  | 230/9" P | 12451 | 220-240 | 50/60 | 22 | 0,1 | 480 | no | 790 |
| | | 12457 | 127 | 60 | 25 | 0,22 | 480 | no | 900 |
| | 230/9" P LL S | 12454 | 220-240 | 50/60 | 32/38 | 0,18 | 700 | no | 1200 |
| | 230/9" AR | 12452 | 220-240 | 50/60 | 26 | 0,13 | 480 | 310 | 790 |
| | | 12458 | 127 | 60 | 27 | 0,23 | 480 | 310 | 900 |
| | 230/9" AR LL S | 12455 | 220-240 | 50/60 | 35/40 | 0,19 | 700 | 370 | 1200 |
| | 230/9" ARI | 12453 | 220-240 | 50/60 | 26 | 0,13 | 450 | 300 | 810 |
| 230/9" ARI LL S | 12456 | 220-240 | 50/60 | 35/40 | 0,19 | 680 | 350 | 1160 | |
|  | 300/12" AR | 12412 | 220-240 | 50/60 | 45 | 0,21 | 1050 | 700 | 840 |
| | | 12417 | 127 | 60 | 50 | 0,40 | 1050 | 700 | 710 |
| | 300/12" AR LL S | 12415 | 220-240 | 50/60 | 75/90 | 0,41 | 1650 | 920 | 1215 |
| | 300/12" ARI | 12413 | 220-240 | 50/60 | 45 | 0,21 | 1200 | 850 | 850 |
| 300/12" ARI LL S | 12416 | 220-240 | 50/60 | 75/90 | 0,41 | 1750 | 1000 | 1230 | |

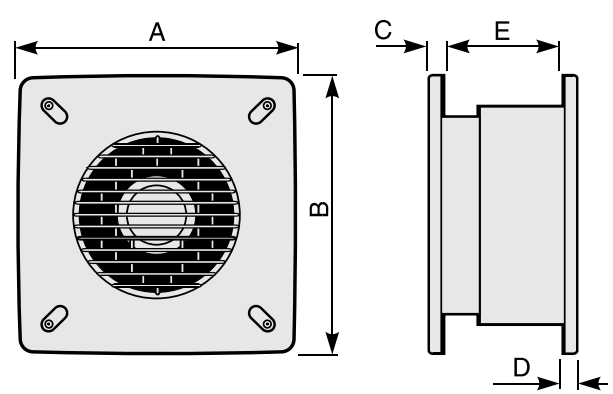
| rpm/1' intake (50 hz) | Lp dB(A) 3m (extract) | Approvals | Kg | IP | Insulation | Max. amb. temp. °C |
|-----------------------|-----------------------|-----------|------|----|------------|--------------------|
| no | 37,5 | Ⓜ | 2,07 | X4 | □ d. II | 50 |
| no | 37,5 | - | 2,07 | X4 | □ d. II | 50 |
| no | 49,6 | Ⓜ | 2,07 | X4 | □ d. II | 50 |
| 2040 | 37,5 | Ⓜ | 2,07 | X4 | □ d. II | 50 |
| 1760 | 37,5 | - | 2,07 | X4 | □ d. II | 50 |
| 2520 | 49,6 | Ⓜ | 2,07 | X4 | □ d. II | 50 |
| 1880 | 38,2 | Ⓜ | 2,52 | X4 | □ d. II | 50 |
| 2460 | 49,1 | Ⓜ | 2,52 | X4 | □ d. II | 50 |
| no | 35,6 | Ⓜ | 3,45 | X4 | □ d. II | 50 |
| no | 35,6 | - | 3,45 | X4 | □ d. II | 50 |
| no | 43,6 | Ⓜ | 3,45 | X4 | □ d. II | 50 |
| 1080 | 35,6 | Ⓜ | 3,45 | X4 | □ d. II | 50 |
| 1195 | 35,6 | - | 3,45 | X4 | □ d. II | 50 |
| 1300 | 43,6 | Ⓜ | 3,45 | X4 | □ d. II | 50 |
| 1080 | 35,7 | Ⓜ | 3,88 | X4 | □ d. II | 50 |
| 1260 | 45,3 | Ⓜ | 3,88 | X4 | □ d. II | 50 |
| 1085 | 40,2 | Ⓜ | 6,13 | X4 | □ d. II | 50 - 40(60Hz) |
| 900 | 40,2 | - | 6,13 | X4 | □ d. II | 50 |
| 1280 | 53,6 | Ⓜ | 6,13 | X4 | □ d. II | 50-40(60Hz) |
| 1150 | 40,7 | Ⓜ | 7,2 | X4 | □ d. II | 50-40(60Hz) |
| 1310 | 53,5 | Ⓜ | 7,2 | X4 | □ d. II | 50-40(60Hz) |

Dimensions Windows/wall



| Model | A | B | C | D | E | ∅ Window/Wall |
|---------|-----|-----|----|------|---|---------------|
| 150/6" | 215 | 218 | 31 | 97,5 | 2 | 185 - 190 |
| 230/9" | 294 | 297 | 31 | 130 | 2 | 257 - 262 |
| 300/12" | 390 | 393 | 31 | 147 | 2 | 324 - 329 |

Dimensions Built-in



| Model | A | B | C | D | E | ∅ Window/Wall |
|---------|-----|-----|------|------|-----|---------------|
| 150/6" | 300 | 300 | 9,5 | 10,5 | 135 | 260 - 265 |
| 230/9" | 400 | 400 | 10 | 11 | 180 | 335 - 340 |
| 300/12" | 495 | 495 | 10,5 | 11,5 | 210 | 435 - 440 |

INSTALLATION OPTIONS AND REQUIRED KITS

| Product | BUILT-IN | | | | | | | |
|-------------------------|--------------|-------|-----------|-------|---------|---------------|---|---|
| | Code | Wall | Deep wall | Panel | Ceiling | False ceiling | Wall mounted for remote application (duct not included) | Roof-mounted for remote application (duct not included) |
| Number of required kits | | 1 | 1 | | | 1 | 3 | 3 |
| 150/6" P | 12611/12617* | 13018 | | | | | | |
| 150/6" P LL S | 12614 | 13018 | | | | | | |
| 150/6" AR | 12612/12618* | 13018 | | | | | | |
| 150/6" AR LL S | 12615 | 13018 | | | | | | |
| 150/6" ARI | 12613 | | 13015 | 13012 | 13012 | 13012 | 13027+13012+13015 | 13001+13027+13012 |
| 150/6" ARI LL S | 12616 | | 13015 | 13012 | 13012 | 13012 | 13027+13012+13015 | 13001+13027+13012 |
| 230/9" P | 12451/12457* | 13018 | | | | | | |
| 230/9" P LL S | 12454 | 13018 | | | | | | |
| 230/9" AR | 12452/12458* | 13018 | | | | | | |
| 230/9" AR LL S | 12455 | 13018 | | | | | | |
| 230/9" ARI | 12453 | | 13016 | 13012 | 13012 | 13012 | 13028+13012+13016 | 13002+13028+13012 |
| 230/9" ARI LL S | 12456 | | 13016 | 13012 | 13012 | 13012 | 13028+13012+13016 | 13002+13028+13012 |
| 300/12" AR | 12412/12417* | 13018 | | | | | | |
| 300/12" AR LL S | 12415 | 13018 | | | | | | |
| 300/12" ARI | 12413 | | 13017 | 13014 | 13014 | 13014 | 13029+13014+13017 | 13003+13029+13014 |
| 300/12" ARI LL S | 12416 | | 13017 | 13014 | 13014 | 13014 | 13029+13014+13017 | 13003+13029+13014 |

* 127 V - 60 Hz

KITS AVAILABLE

OPTIONAL KITS FOR SPECIAL INSTALLATIONS ARE AVAILABLE ON REQUEST

Telescopic frame for wall mounting

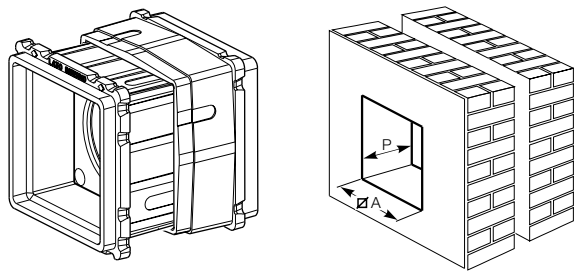
| Model | Code | Description |
|------------------------|-------|--|
| Kit MU | 13018 | Wall mounting kit with rods and fixings |
| Kit FF 150/6" | 13024 | Double opening window kit, Mod. 150/6" (including flanges for protective grille holder and double window, gaskets, protective grille, duct and fixings) |
| Kit FF 230/9" | 13025 | Double opening window kit, Mod. 230/9" (including flanges for protective grille holder and double window, gaskets, protective grille, duct and fixings) |
| Kit FF 300/12" | 13026 | Double opening window kit, Mod. 300/12" (including flanges for protective grille holder and double window, gaskets, protective grille, duct and fixings) |
| Kit VV 150/6" | 13021 | Double opening window, secondary-glazed kit, Mod. 150/6" (including flanges for protective grille holder and secondary glazing, gaskets, protective grille, duct and fixings) |
| Kit VV 230/9" | 13022 | Double opening window, secondary-glazed kit, Mod. 230/9" (including flanges for protective grille holder and secondary glazing, gaskets, protective grille, duct and fixings) |
| Kit VV 300/12" | 13023 | Double opening window, secondary-glazed kit, Mod. 300/12" (including flanges for protective grille holder and secondary glazing, gaskets, protective grille, duct and fixings) |
| Kit TE 150/6" | 13001 | Roof Cowl/Wind Baffle kit, Mod. 150/6" (including external roof cowl and base, gasket, and fixings) |
| Kit TE 230/9" | 13002 | Roof Cowl/Wind Baffle kit, Mod. 230/9" (including external roof cowl and base, gasket, and fixings) |
| Kit TE 300/12" | 13003 | Roof cowl/wind baffle kit, Mod. 300/12" (including external roof cowl and base, gasket and fixings) |
| Kit ML 150/6" | 13015 | Deep wall installation kit, Mod. 150/6" (including flush-mounting frame, and duct) |
| Kit ML 230/9" | 13016 | Deep wall installation kit, Mod. 230/9" (including flush-mounting frame and duct) |
| Kit ML 300/12" | 13017 | Deep wall installation kit, Mod. 300/12" (including flush-mounting frame, and duct) |
| Kit SO 150/6" - 230/9" | 13012 | Ceiling, false ceiling and panel kit, Mod. 150/6" and 230/9" (including 2 brackets and fixings) |
| Kit SO 300/12" | 13014 | Ceiling, false ceiling and panel kit, Mod. 300/12" (including 4 ceiling brackets and fixings) |
| Kit TC 150/6" | 13027 | Spigot Plate for remote application, Mod. 150/6" (including flange for duct, gasket and fixings) |
| Kit TC 230/9" | 13028 | Spigot Plate for remote application, Mod. 230/9" (including flange for duct, gasket and fixings) |
| Kit TC 300/12" | 13029 | Spigot Plate for remote application, Mod. 300/12" (including flange for duct, gasket and fixings) |
| Kit SA 230/9" | 13004 | Darkroom cowl kit, Mod. 230/9" (external baffle and base, gasket) - UV stabilized material, painted with dark, non-reflective paint |

| WINDOW | | | | WINDOW | | | |
|--------------------------------|---|-------|---|---------------------------------|---------------------------------|--------------|-------------------------------------|
| Double-glazed (opening) window | Double (opening) window secondary-glazing | Roof | Window-panel mounted with darkroom cowl | Wall-mounted with darkroom cowl | Wall-mounted with external cowl | Wall-mounted | Wall mounted for remote application |
| 1 | 1 | 1 | 1 | 2 | 2 | 1 | 4 |
| 13021 | 13024 | | | | 13001+13018 | 13018 | |
| 13021 | 13024 | | | | 13001+13018 | 13018 | |
| 13021 | 13024 | 13001 | | | 13001+13018 | 13018 | 13001+13008+2 items 13027 |
| 13021 | 13024 | 13001 | | | 13001+13018 | 13018 | 13001+13008+2 items 13027 |
| 13022 | 13025 | | 13004 | 13004+13018 | 13002+13018 | 13018 | |
| 13022 | 13025 | | 13004 | 13004+13018 | 13002+13018 | 13018 | |
| 13022 | 13025 | 13002 | 13004 | 13004+13018 | 13002+13018 | 13018 | 13002+13008+2 items 13028 |
| 13022 | 13025 | 13002 | 13004 | 13004+13018 | 13002+13018 | 13018 | 13002+13008+2 items 13028 |
| 13023 | 13026 | 13003 | | | 13003+13018 | 13018 | 13003+13008+2 items 13029 |
| 13023 | 13026 | 13003 | | | 13003+13018 | 13018 | 13003+13008+2 items 13029 |

WALL MOUNTING ACCESSORY INCLUDED IN ALL BUILT-IN MODELS

Telescopic frame for wall mounting

This frame is made of expanded polystyrene and facilitates wall mounting of the Vortice Vario built-in models.



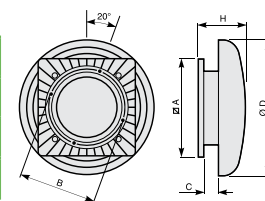
ACCESSORIES (AVAILABLE ONLY IN UK)

| Code | Description |
|---|--|
| Ducting | |
| 8501 | 175 mm flexible duct 3m length |
| 8511 | 175 mm flexible duct 10m length |
| 8502 | 243 mm flexible duct 3m length |
| 8512 | 243 mm flexible duct 10m length |
| 8503 | 305 mm flexible duct 3m length |
| 8513 | 305 mm flexible duct 10m length |
| Flat roof upstand | |
| 8558 | Flat Roof Upstand 150/6 |
| 8559 | Flat Roof Upstand 230/9 |
| 8560 | Flat Roof Upstand 300/12 |
| Soaker sheet with integral upstand | |
| 8550 | Soaker Sheet with integral upstand 150/6 |
| 8551 | Soaker Sheet with integral upstand 230/9 |

DIMENSIONS (mm)

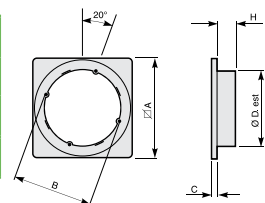
Roof cowl kit

| Model | code | σ D | ∠A | B | C | H |
|---------|-------|-----|-----|-----|----|-----|
| 150/6" | 13001 | 300 | 215 | 175 | 28 | 111 |
| 230/9" | 13002 | 400 | 294 | 249 | 30 | 145 |
| 300/12" | 13003 | 534 | 390 | 316 | 33 | 181 |



Spigot Plate

| Model | code | σ D | ∠A | B | C | H |
|---------|-------|-----|-----|-----|----|----|
| 150/6" | 13027 | 171 | 215 | 175 | 8 | 30 |
| 230/9" | 13028 | 240 | 294 | 249 | 10 | 30 |
| 300/12" | 13029 | 300 | 390 | 316 | 12 | 30 |

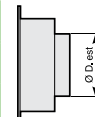


Duct diameter for flush-mounting frame

| Model | code | σ D ext |
|---------|-------|---------|
| 150/6" | 13027 | 171 |
| 230/9" | 13028 | 240 |
| 300/12" | 13029 | 300 |



| Model | code | σ D ext |
|---------|-------|---------|
| 150/6" | 13015 | 171 |
| 230/9" | 13016 | 240 |
| 300/12" | 13017 | 300 |



Diameter of PVC ducts

Suitable for Vortice applications. With the following dimensions.

| Model | σ D int | σ D ext | thickn. |
|---------|---------|---------|---------|
| 150/6" | 171 | 215 | 175 |
| 230/9" | 240 | 294 | 249 |
| 300/12" | 300 | 390 | 316 |

Diameter of aluminium flexible ducts

Suitable for Vortice applications. With the following internal diameters.

| Model | σ D int |
|---------|---------|
| 150/6" | 171 |
| 230/9" | 240 |
| 300/12" | 300 |

CONTROLLERS

12

Wall mounted reversible speed controllers suitable for use with the automatic Vortice Vario models



CR5 - code 12943

- 5 speed controller
- On/Off
- Reversible
- Can be used to regulate more than one fan.
- Maximum load 100 W



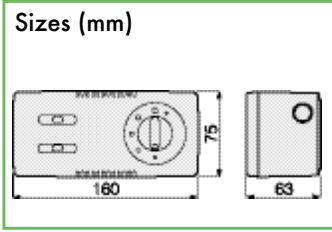
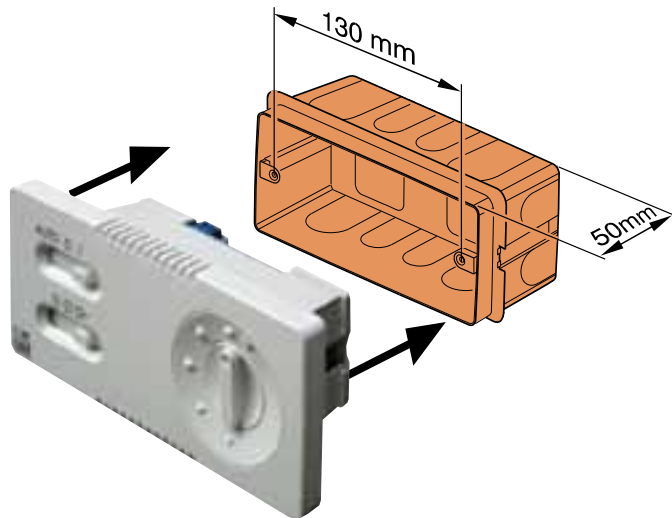
CREN - code 12944

- Variable electronic speed controller
- On/Off
- Reversible
- Natural Ventilation
- Can be used to regulate more than one fan
- Maximum load 1,2 A



CR5N - code 12941

- 5 speed controller
- On/Off
- Reversible
- Natural Ventilation
- Can be used to regulate more than one fan
- Maximum load 100 W



- Supply power: 220-240 V
- Frequency: 50/60Hz
- Operating temperature: 50 °C
- Protection class: IP20
- The controller can also be recessed using a backbox of harmonised size mm 130x50 (not included)

ENVIRONMENTAL SENSORS

Environmental sensors are designed to detect specific environmental conditions (humidity, temperature, presence of a moving body and air quality) and suitable for use with all Vortice Vario models. These sensors can also be connected to the CR range of Vario speed controllers



**C HCS-HUMIDITY
code 12994**

Measures ambient relative humidity (R.H.), and starts the Vortice Vario fan when the R.H. exceeds 65%. The sensor can also be

wired to allow the unit to be switched on when the R.H. is below 65%, and incorporates an over-run timer (adjustable between 3 and 20 minutes).



**C PIR- MOVEMENT
DETECTOR
code 12998**

Detects the presence of a moving body within its sensor range, and starts the fan automatically. The built-in over-run timer can be adjusted between 3 and 20 minutes.



**C TEMP-TEMPERATURE
code 12992**

Measures ambient room temperature, and starts the Vortice Vario fan when the temperature exceeds the preset value. Once the temperature drops below

the preset value, the unit will over-run for between 3 and 20 minutes (dependent on setting).



C TIMER - code 12999

Adjustable over-run timer (adjustable between 3 and 20 minutes).

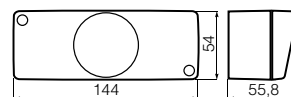


**C SMOKE
code 12993**

Measures the air quality, detecting the presence of cigarette smoke, odours and other pollutants, and starts the Vortice Vario fan when the concentration

of pollutants exceeds the preset value. The unit will also over-run for between 3 and 20 minutes (dependent on setting).

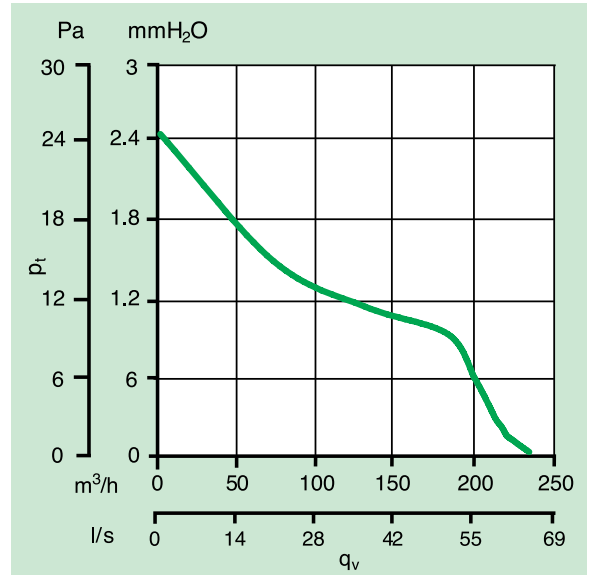
Sizes (mm)



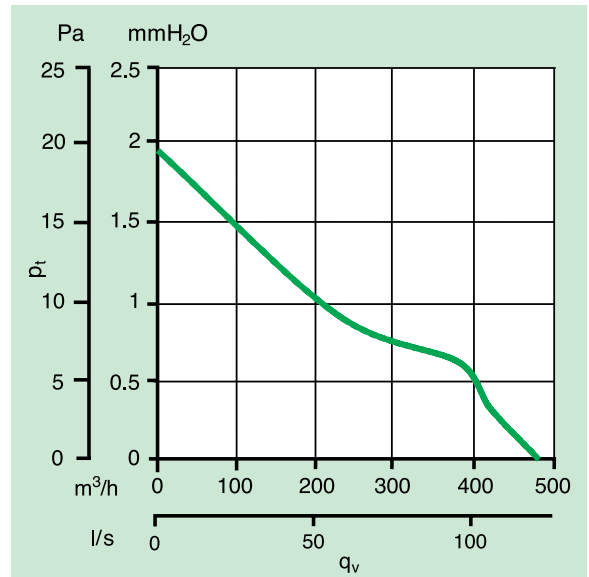
- Supply power: 220-240 V
- Frequency: 50/60Hz
- Maximum load: 3 A
- Operating temperature: 50 °C
- Protection class: IP20

PERFORMANCE CURVES

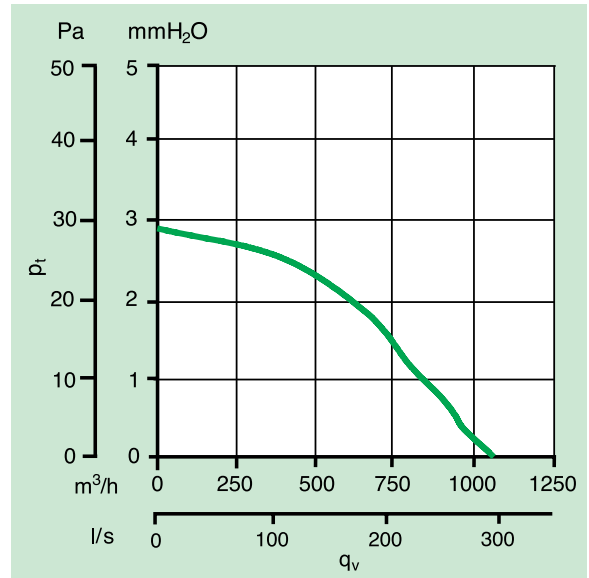
150/6" AR



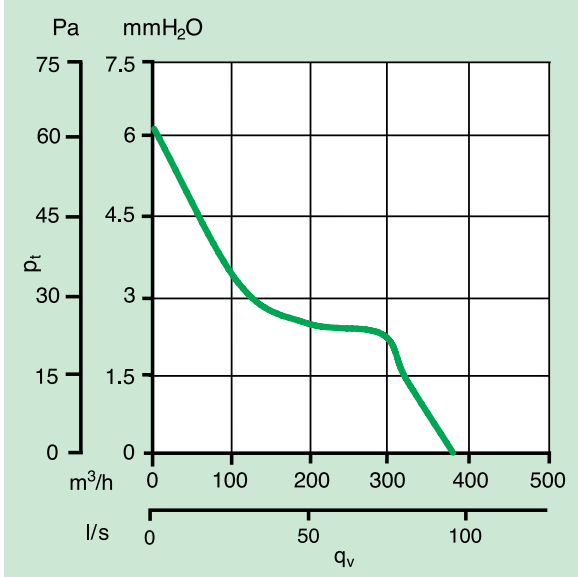
230/9" AR



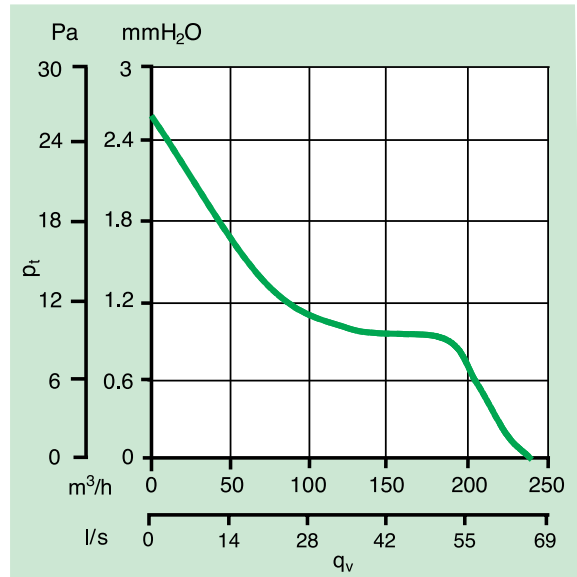
300/12" AR



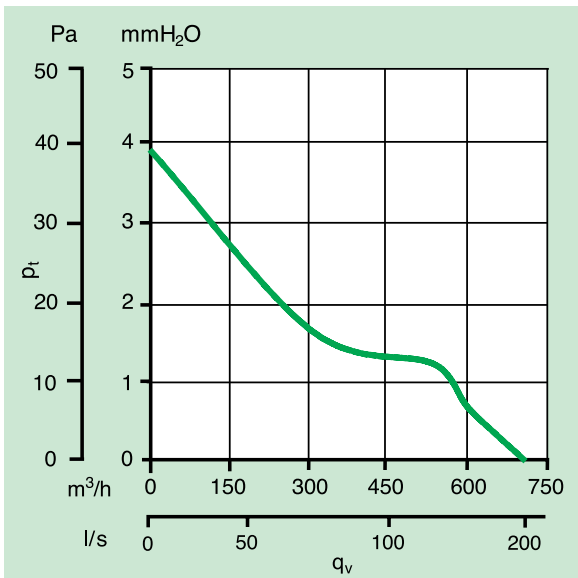
150/6" AR LL S



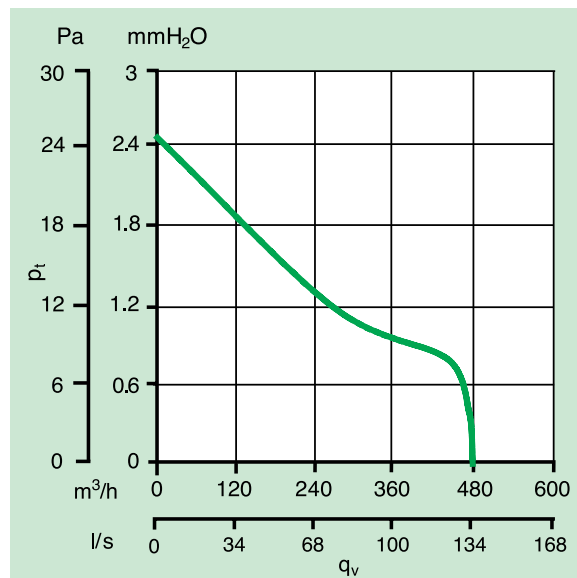
150/6" P - 150/6" AR - 127 V 60Hz



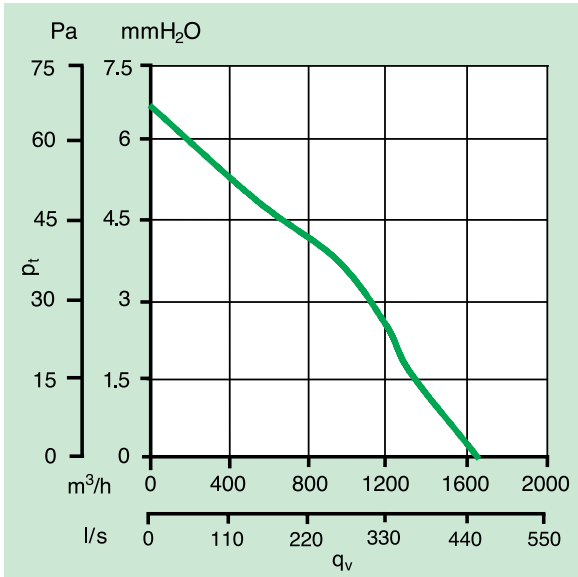
230/9" AR LL S



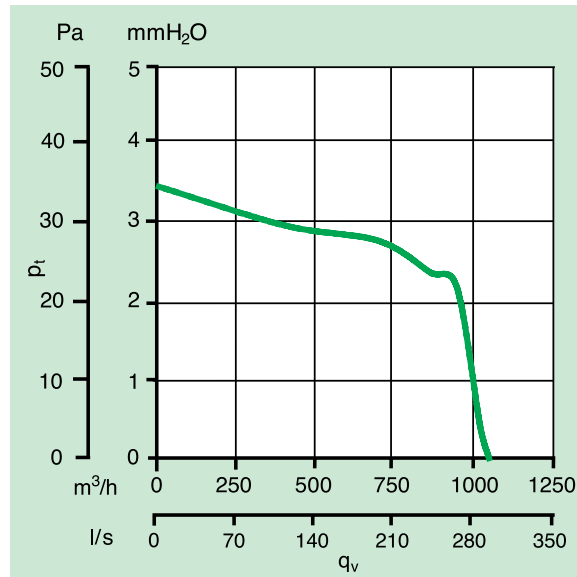
230/9" P - 230/9" AR - 127 V 60 Hz



300/12" AR LL S



300/12" AR - 127 V 60 Hz



CERTIFICATIONS



Code 5.170.084.274

06/14

Vortice Elettrosociali S.p.A.
Strada Cerca, 2
Frazione di Zoate
20067 Tribiano (Milano)
Tel. (+39) 02 906991
Fax (+39) 02 90699314
Italia
www.vortice-export.com
www.vortice.com
export@vortice-italy.com

Vortice France
15-33, Rue Le Corbusier
CS 30007
94046 Creteil Cedex
Tél. (+33) 1.55.12.50.00
Fax (+33) 1.55.12.50.01
France
www.vortice-france.com
contact@vortice-france.com

Vortice Limited
Beeches House-Eastern Avenue
Burton on Trent
DE13 0BB
Tel. (+44) 1283-49.29.49
Fax (+44) 1283-54.41.21
United Kingdom
www.vortice.ltd.uk
sales@vortice.ltd.uk

