



ALLVENT
Ventilation Products

ALLVENT VENTILATION PRODUCTS

PRODUCT CATALOGUE

EDITION 21



Industrial Ventilation



Car Park Ventilation



Hygiene



Commercial Ventilation

ALLVENT is dedicated to providing world-class, quality products, innovative design, technical expertise and market leading technology.

In cooperation with consultants, project engineers and designers, **ALLVENT** can ensure the continued availability of economical, efficient and leading ventilation technology.



Residential Ventilation



Winter Heating



Summer Cooling



Heat Recovery Ventilation



ALLVENT
Ventilation Products

Our Mission

To provide clients with the most advanced technology and innovative designs for air movement

Our Vision

To be the preferred supplier for every user of air movement products in the market we serve

Our Values

Care

Quality

Integrity

Enthusiasm

Giving Back







Bringing Air to Life.

Product Ranges

VENTILATION FAN RANGE

Wall / Ceiling		6	Axial		16
			Centrifugal In-line		19
Window / Wall		12	In-line Mixed Flow		20
External Wall-mount		13	Sub Floor		28
Ceiling Extraction		14	Mechanical Ventilation with Heat Recovery		29

VENTILATION KIT RANGE

Ventilation Kits		38	Prestige Bathroom Exhaust Kits		43
Air Transfer Kits		40	Universal Rangehood Kit		44

ACCESSORIES

Prestige Grilles		46	Ducting Accessories		53
Wall/Eave Stainless Steel Grilles		49			54
Internal Ceiling Grilles		50	Dampers		55
Internal Wall/Ceiling Grill		51	Controllers		56
External Grilles: Plastic		51			56
External Grilles: Aluminium		52	Accessories		58
Ducting		53	Flat Pack Ducting		59
			Filters		60

COMMERCIAL

Car Park
Ventilation

62

Attenuators

73

Commercial



72

SUMMER COOLING

Air Movement



94

WINTER HEATING

Heaters



98

HYGIENE

Vortice Hand
Dryers

104

Dolphin Hand
Dryers

105

While every effort has been made to accurately present specifications and data in this catalogue, Allvent P/L accepts no liability for losses arising from errors or omissions contained herein. As a result of continuous product development all data and specifications are subject to change without notice.

GUIDES, CHARTS, INFORMATION

pg

Allvent Vision and Mission	1
4 Step Guide to Choosing the Right Fan	4
Part number index	108
International (IP) Ratings Chart	113



ALLVENT
Ventilation Products

Bringing Air to Life.

Your perfect Allvent fan is only **4** steps away.

To choose the right fan for your purpose, we need to **calculate the airflow required for your room in m³/hr**. Allvent has developed this easy-to-use **four step guide** to determine your m³/hr number and help choose the fan right for you.

STEP 1



Which room?

Choose your room type and select air changes per hour (**ac/hr**) value (opposite).
ie: Bathroom 10 ac/hr.

Sub-floor	6 ac/hr
Heat Transfer	6 ac/hr
Bathroom	10 ac/hr
Toilet	12 ac/hr
Laundry	20 ac/hr
Kitchen	25 ac/hr

STEP 2



How big?

You need your room volume in metres cubed (**m³**). This is calculated using the three measurements of **length**, **width** and **height** of your room in metres.

L x W x H =m³

STEP 3

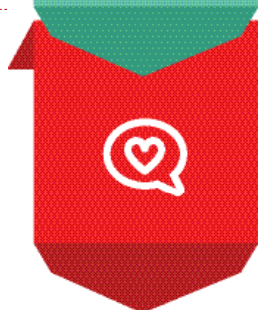


How much air flow?

Multiply the two numbers you now have from Step 1 (**ac/hr**) and Step 2 (**m³**) to calculate the air flow required for your room.

Step 1 x Step 2 =m³/hr

STEP 4



Which Fan?

Using your **m³/hr** figure calculated in **Step 3**, select the fan from the table below which most closely fits your needs.

We recommend that you choose the fan to the nearest value **HIGHER** than your m³/hr number.

Example, if the number you calculated at the end of **Step 3** is 240m³/hr, choose a fan with a m³/hr **higher** than 240.

Model	m ³ /hr	Model	m ³ /hr	Model	m ³ /hr	Model	m ³ /hr	Model	m ³ /hr
150/6"AR	235	M1/100	90	REF150-A	374	100	255	RCF-AE(S)150	328
230/9"AR	480	M1/120	170	HBF100-4	144	125	365	RCF-AE(S)200	328
300/12"AR	1050	M1/150	260	HBF150-6	303	150	550	RCR150	350
						200	1135	RCR200	500
						250	1440	RCR250	600
						315	2590		
									
Window/Wall Page 12		Wall/Ceiling Page 6		Ducted Ceiling Page 14		Inline Fan Page 20		Roof Mounted Page 85-86	



Ventilation Fan Range

Wall/Window Mounted

M1 Series	6
HV Series	8
Slim Evolution Series	9
Punto Filo Series	10
Punto Series	11
Vario Series	12
CA WE D Series	13
SF Series	28

Ceiling Duct Mounted

REF Series	14
HBF Series	15

Duct Mounted

Punto Ghost Series	16
A Series	17
Cabinet Fans	18
CA MD Series	19
Lineo Series	20
Lineo ES Series	22
Lineo Quiet Series	24
Lineo Quiet ES Series	26

IP45

Energy efficient

Modern design



THE NEW MINIVENT® FAMILY

M1 Series

QUIET, ATTRACTIVE AND EFFICIENT

The excellent design of the MiniVent® M1 blends in beautifully everywhere, even in the most demanding room designs. The compact and attractively designed fascia completely shields the view of the fan interior.

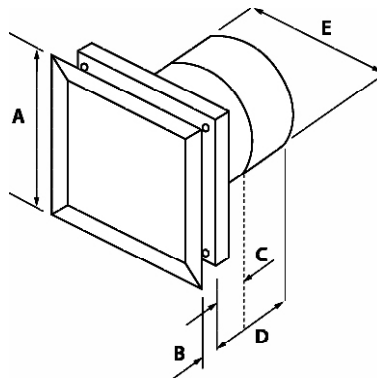


Technical Data

Model	Code	Dia Ø	V	Hz	W	m³/hr	L/s	dBA@3m
M1/100	ALV6171	98	240	50	9	75-90	21-25	30
M1/120	ALV6360	118			13	150-170	42-47	36
M1/150	ALV6041	145			10	220-260	61-72	39
M1/150 0-10v	ALV6044	145			10	50-260	14-72	39

Dimensions

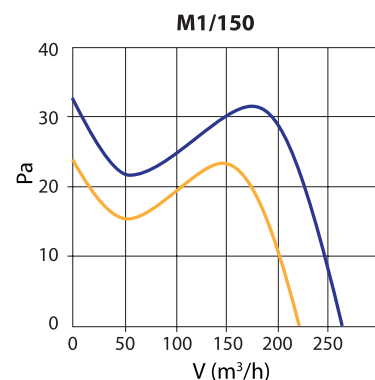
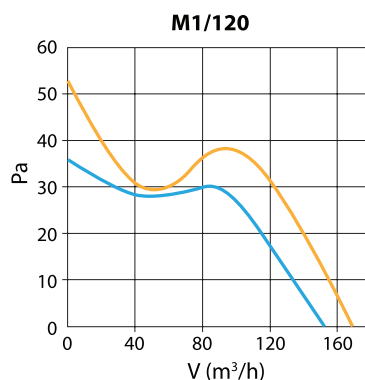
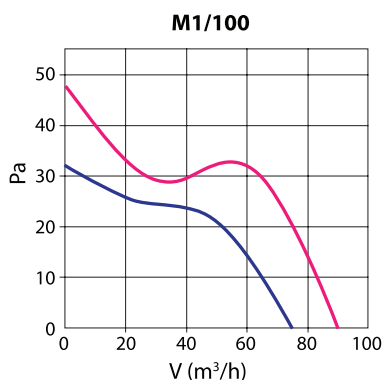
	A	B	C	D	ØE
M1/100	147	35	52	96	98
M1/120	176	39	70	116	118
M1/150	210	48	76	142	145



Accessories

- Stainless Steel external grilles (refer pg 49)
- Plastic external grilles (refer pg 51)
- Aluminium external grilles (refer pg 52)

Performance Curves



Features

- Compact designed fascia remains clean and attractive
- High efficiency impeller
- Backdraft shutter as standard
- Trickle Ventilation on Low Speed & switches to high speed when light switch is activated
- Energy efficient – 5 watts at 75m³/h and 10 watts at 310m³/h

Energy Saving Features (optional)

- Built-in Run-on Timer (N)
- Built-in Humidity Sensor (F)
- Built-in Presence Sensor (P)

Applications for Use

Suitable for all ventilation applications in bathrooms, toilets and all wet areas.

Quiet.



Energy-efficient.



The M1/150 is the most energy efficient 150mm wall fan on the market!

- Up to 70% more efficient
- Only 10 watts on high speed

Powerful and quiet.

No compromises are made with MiniVent® M1 in terms of power and noise level. The ultraSilence® technology developed by Helios ensures optimum quietness and lowest noise emission at all levels.

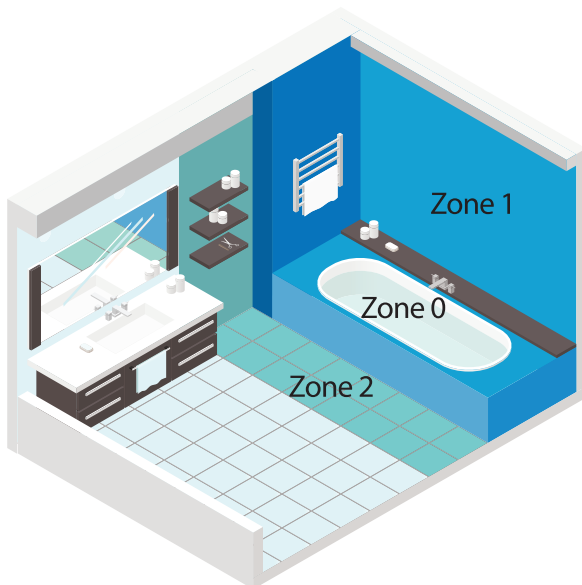
When introducing the M1/100, Helios succeeded in setting the new market standard with just 25 dBA at 75m³/h. The M1/150 is now furthering this success with just 39 dBA at 260m³/h.

Up to 70% energy savings.

If power consumption is analysed in relation to flow rate, it is clear at a glance that M1 from Helios scores well. For this reason, MiniVent® has been awarded the 'greenTec-Label' for energy saving solutions.

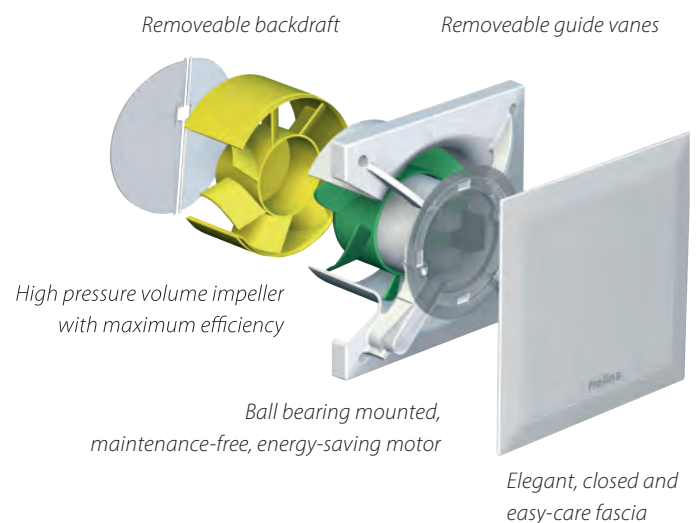
Furthermore, the new M1/150 is equipped with highly efficient EC motor technology which, with regard to speed control, leads to a saving of up to 70% in comparison to conventional AC technology.

Zone 1 Compatible.



Suitable for use in Zone 1.

MiniVent® M1 Series provides protection to IP45, insulation class II.



Flexible installation depth.

Removeable guide vane reduces installation depth from 96mm to 52mm. Can be installed with or without backdraft shutter.

IP54

Reversible

High air flow



WALL / CEILING FANS

HV Series

POWERFUL EXTRACTION

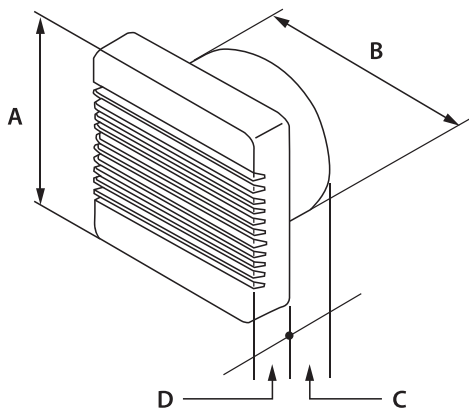
The timeless design blends well in any stylish room. Designed to ventilate living and dining rooms, offices and conference rooms, restaurants or foyers.



Technical Data

Model	Code	Dia Ø	V	Hz	W	m ³ /hr	L/s	dBA	IP Rating
HV200	ALV0957	207mm	240	50	30	450	125	52	IP54
HV250	ALV0958	250mm			40	840	234	55	

Dimensions

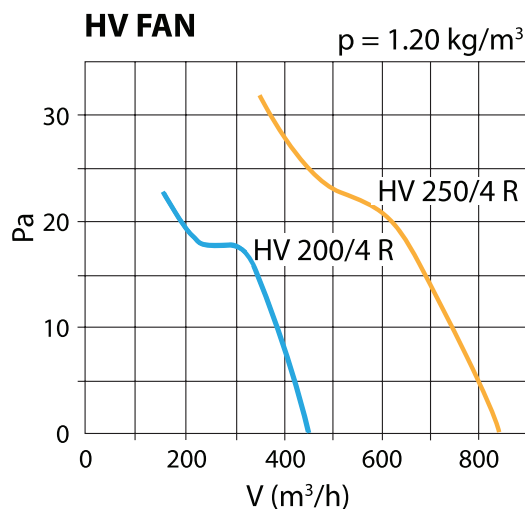


	A	B	C	D
HV200	287	207	80	39
HV250	387	257	80	39

Features

- Reversible (supply and exhaust) with switch - Model No. DSEL2
- High air flow and low noise through low resistance
- Totally enclosed, powerful motor with high efficiency
- Quiet continuous operation at any angle
- 40,000 running hours
- Speed controllable by speed controller (accessory)

Performance Curves



Accessories

- Stainless Steel external grilles (refer pg 49)
- Plastic external grilles (refer pg 51)
- Aluminium external grilles (refer pg 52)

IPX4

335 m³/hr

19mm thin fascia



WALL / CEILING FANS

SLIM Evolution

ECO-FRIENDLY

This 'virtually invisible' and 'virtually silent' fan is extremely easy to install. It has an backdraft shutter to prevent unwanted air from returning once switched off.

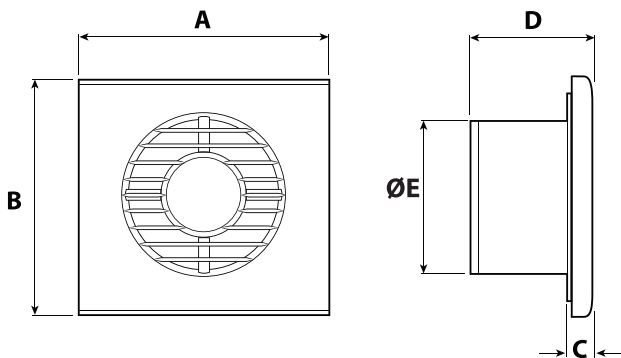
Technical Data

Model	Code	Dia Ø	V	W	Pa	m ³ /hr	L/s	dBA@3m
ALVSLIM4A	ALV11287	100mm/4"	240	15	29	85	24	31
ALVSLIM5A	ALV11288	125mm/5"		20	49	173	49	34
ALVSLIM6A	ALV11289	150mm/6"		28	59	335	93	40

Features

- Extremely easy installation
- Very limited noise levels with high performance
- Ultra-flat grille to expel air outside or into short ducts
- Eco-friendly recyclable materials
- Backdraft shutter

Dimensions

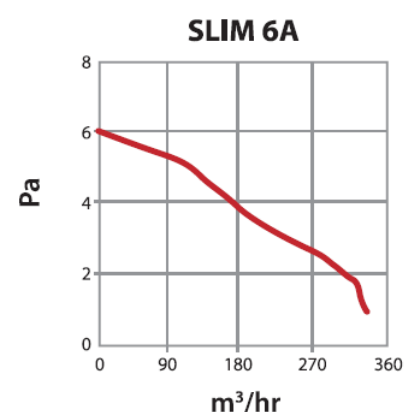
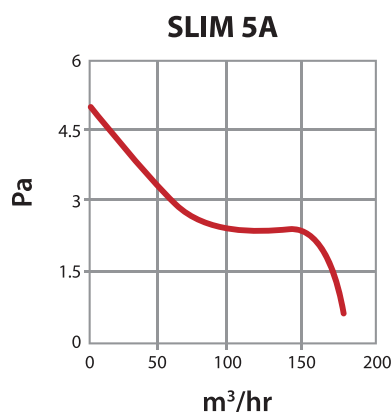
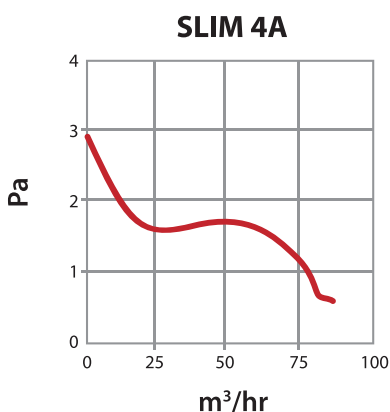


	A	B	C	D	ØE	Kg
ALVSLIM4A	162	158	19	79	98	0.51
ALVSLIM5A	185	178	19	90	119	0.61
ALVSLIM6A	218	213	19	98	155	0.97

Accessories

- Stainless Steel external grilles (refer pg 49)
- Plastic external grilles (refer pg 51)
- Aluminium external grilles (refer pg 52)

Performance Curves



IPX4

Eco-friendly

Quiet



WALL / CEILING FANS

Punto Filo Series

QUIET AND ECO-FRIENDLY

The Punto Filo is excellent for intermittent and continuous ventilation of bathrooms, toilets, kitchens or utility rooms in domestic or commercial properties.



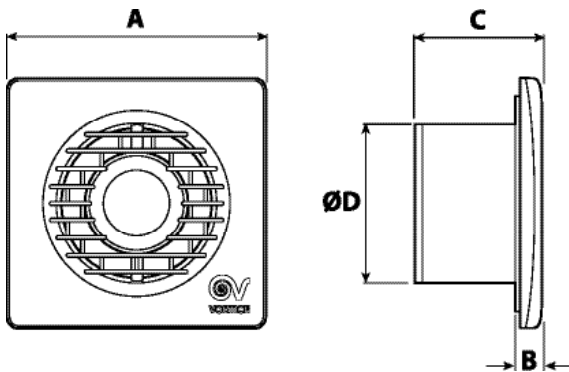
Technical Data

Model	Code	V	W	A	Rpm	m ³ /h	L/s	Pa	dB(A)@3m	°C max
MF100/4"	ALV11123	240	15	0.09	2400	85	24	29	31	50
MF120/5"	ALV11124		20	0.12	2150	175	49	49	34.4	
MF150/6"	ALV11125		28	0.15	2100	335	93	59	40.1	

Features

- Backdraft shutter installed
- Quiet operation
- Quick and easy installation
- Eco-friendly: low environmental impact

Dimensions

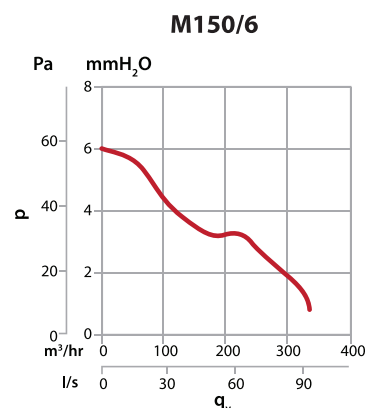
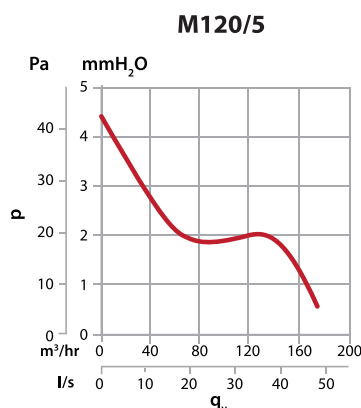
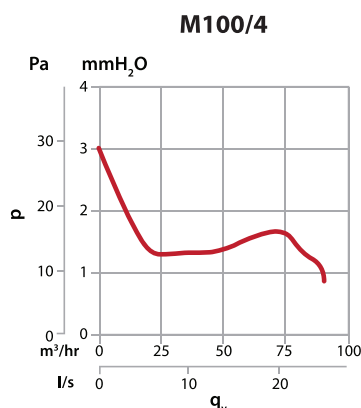


Accessories

- Stainless Steel external grilles (refer pg 49)
- Plastic external grilles (refer pg 51)
- Aluminium external grilles (refer pg 52)

	A	B	C	ØD	Kg
MF100/4"	159	17	77	98	0.51
MF120/5"	179	17	89	119	0.61
MF150/6"	214	17	96	156	0.97

Performance Curves



IPX4

High air flow

Energy efficient



WALL / CEILING FANS

Punto Series

ENERGY EFFICIENT

The Punto Range is excellent for intermittent and continuous ventilation of bathrooms, toilets, kitchens or utility rooms in domestic or commercial properties.



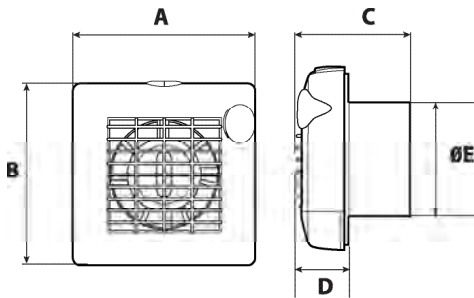
Technical Data

Model	Code	V	W	A	Rpm	m ³ /h	L/s	Pa	dBA@3m	Kg
M100/4	ALV11201	240	18	0.1	2300	90	25	29	37.5	0.6
M100/4 12V*	ALV11203		18	0.1	2300	90	25	29	37.5	0.6
M120/5	ALV11301		20	0.12	2100	175	48.6	44	39.5	0.8
M150/6	ALV11401		30	0.15	2100	335	93.1	59	46	1.1

Features

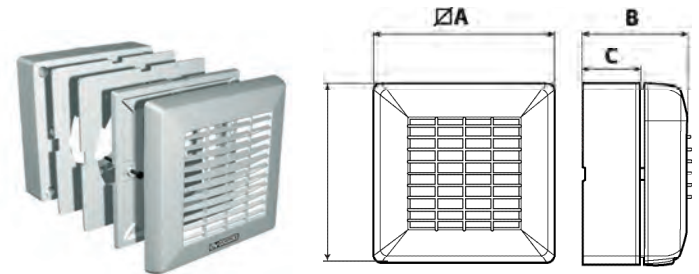
- High air-flow rate
- Low operating noise levels
- Low power consumption
- Auto-shutter/Timer models available
- *GA12V transformer available

Dimensions



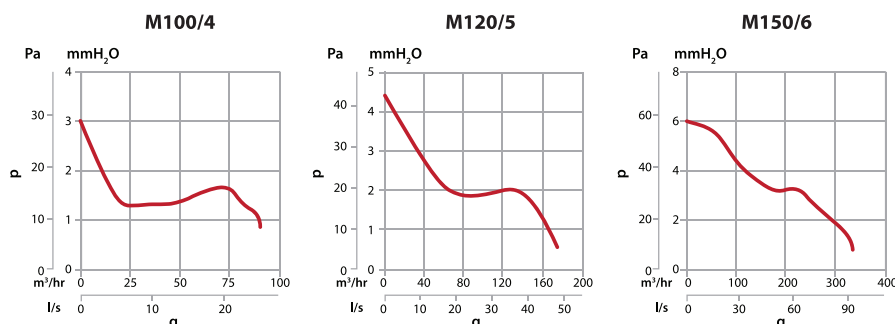
	A	B	C	D	ØE
M100/4	159	160	100	47	99
M120/5	179	181	110	47	119
M150/6	214	215	117	47	156

Kit to Window-Mount



	ØA	B	C	ØGlass Hole	Thick
F100/4	159	69	22	123 ÷ 128	20
F120/5	179	80	33	143 ÷ 148	
F150/6	214	87	40	178 ÷ 183	

Performance Curves



- Will allow any Vortice Punto unit to be fitted to any single- or double-glazed window
- Consists of closed-cell, expanded-polyethylene gasket and external grille, intermediate flange fitting, spacer, and a anti-UV-threaded ABS ring.
- Glass thickness: 2/3mm (min) – 17/20mm (max).
- Insulation class: II

IPX4

High air flow

Reversible



WINDOW AND WALL FANS

VARIO Series

QUIET, FLEXIBLE AND REVERSIBLE

Vario exhaust/supply fans provide flexible solutions to improve the quality of air we breathe in any domestic or commercial environment.

Technical Data

Model	Code	V	W	A	RPM	m ³ /hr	L/sec	dBA@3m
VARIO150/6"AR	ALV12612	240	25	0.11	2040 [^] 1340*	235 [^] 150*	65.3 [^] 41.7*	37.5
VARIO150/6"AR LL S	ALV12615		35	0.17	2520 [^] 2210*	380 [^] 215*	105.6 [^] 59.7*	49.6
VARIO150/6"P	ALV12611		18	0.10	1340	235	65.3	37.5
VARIO150/6"P LL S	ALV12614		32	0.16	2110	380	105.6	46.9
VARIO230/9"AR	ALV12452		26	0.13	1080 [^] 790*	480 [^] 310*	133 [^] 86*	35.6
VARIO230/9"AR LL S	ALV12455		35	0.19	1300 [^] 1200*	700 [^] 370*	194.4 [^] 102.8*	43.6
VARIO230/9"P	ALV12451		22	0.10	790	480	133	35.6
VARIO300/12"AR	ALV12412		45	0.21	1085 [^] 840*	1050 [^] 700*	292 [^] 194.4*	40.2
VARIO300/12"AR LL S	ALV12415		75	0.41	1280 [^] 1215*	1650 [^] 920*	458.5 [^] 255.6*	53.6

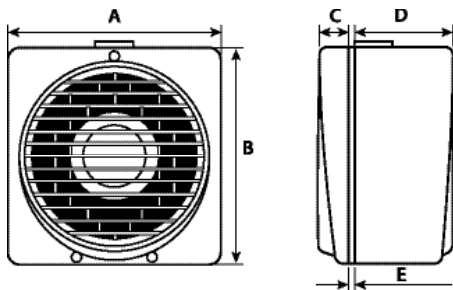
* Supply ^Extract

AR - Automatic shutters, Reversible flow

AR LL S - Long Life, Sealed bearings

P - Pull cord version

Dimensions



	A	B	C	D	E min/max	Ø Hole cut-out
VARIO150/6"AR	215	218	31	97.5	2/38	185÷190
VARIO230/9"AR	294	297	31	130	2/38	257÷262
VARIO300/12"AR	390	393	31	147	2/38	324÷329

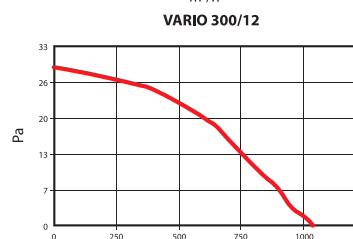
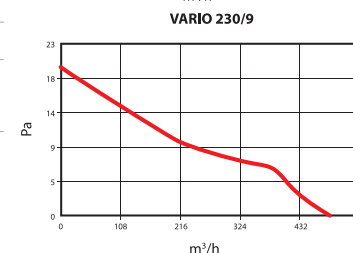
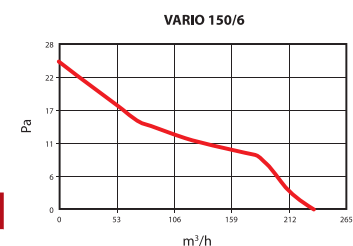
Accessories

Model	Code	Description
KITMU	ALV13018	wall rods to suit Vario
KITMUT	ALV602	wall tubes to suit Vario
CREN	ALV12944	Speed Controller ON/OFF/Reverse flow

Features

- Highly efficient impellers: best in their category for performance and low energy consumption
- Lowest noise in its class
- Casing made from shock-resistant UV stabilised ABS
- IPX4 rating
- Pull cord option available
- Automatic shutters as standard
- All models reversible (supply and exhaust)
- Flush mounted model available

Performance Curves



IPX5

Low internal noise

High performance

EXTERNAL WALL MOUNTED CENTRIFUGAL FANS

CA WE D Series

SILENT EXTRACTION



The CA WE D is the ideal solution where centralised extraction is required for more than one room eg: kitchens, bathrooms, storage areas, cellars; public spaces such as bars and shops; work spaces including workshops and laboratories.

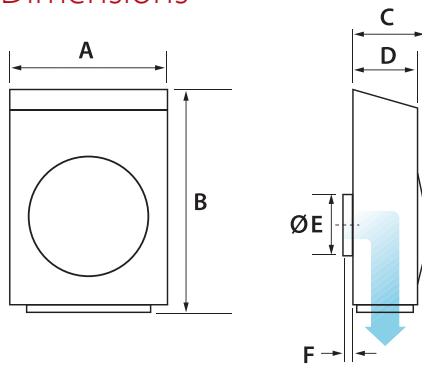
Technical Data

Model	Code	V	Hz	W	m ³ /hr	L/s	dB(A)@3m	IP
CA100 WE D	ALV16091	240	50	60-80	65-205	18-57	38.3-50.1	IPX5
CA125 WE D	ALV16092			60-80	83-266	23-74	36.3-49.5	
CA150 WE D	ALV16087			45-100	248-529	69-147	23.1-42.9	
CA200 WE D	ALV16089			45-100	263-612	73-170	20.9-39.1	

Features

- Centrifugal duct-mounted extractors for external installation thereby reducing noise
- Automatic close function prevents air returning to the room
- Steel housing with polyester paint - long life
- Two speed
- Backdraft shutters

Dimensions



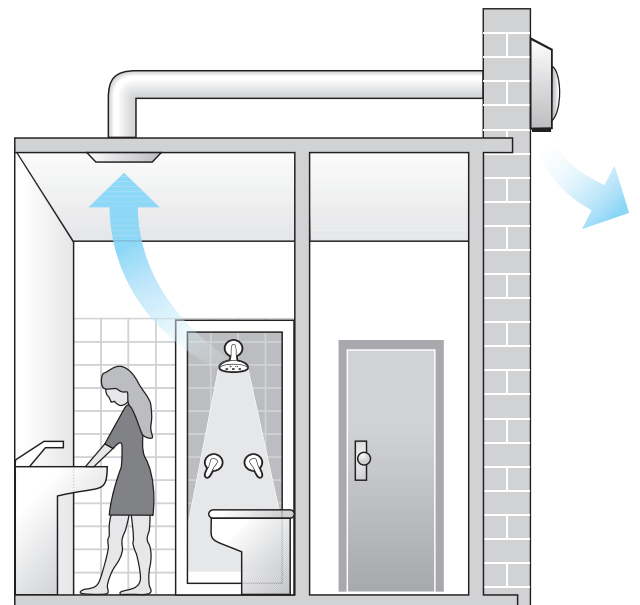
	A	B	C	D	E	F
CA100 WE D	262	345	127	113	970	20
CA125 WE D	262	345	127	113	1200	20
CA150 WE D	360	430	173	155	1470	20
CA200 WE D	360	430	173	155	1970	20

Accessories

Internal grilles (refer pg 50)

Performance Curves

Refer to Allvent



IPX4

High performance

Easy installation



HEADER BOX EXHAUST FAN

REF Series

SIDE DUCTING

REF Series maximum airflow performance is ideal for long duct runs and extracting large quantities of air from wet room areas of the home.

Technical Data

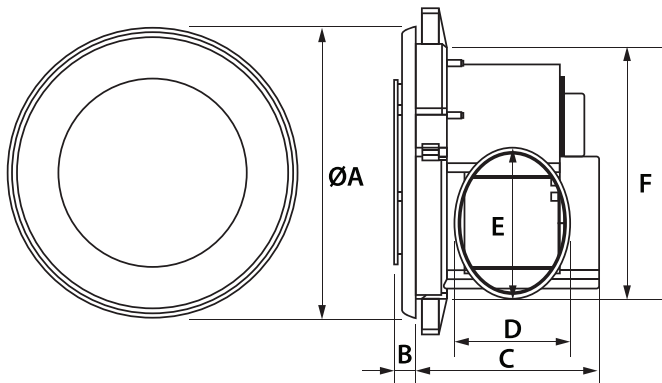
Model	Code	Dia Ø	V	W	RPM	m ³ /hr	l/s	dBA@ 3m	Cutout
ALVREF150-A	ALV192	150	240	60	1380	374	104	42	290
ALVREF150-A-T F&P	ALV1923	150			1380	374	104	42	290

T F&P indicates built-in timer function 3–20 mins with 4 Pin Flex & Plug Fitted

Features

- White round fascia as standard
- White square fascia available
- Built-in backdraft damper
- Unique magnetic clip for installing grille
- Efficient and durable, long-life, ball-bearing motor
- Three-pin plug as standard
- Non-return damper
- Complied to SAA and RCM standard for AU/NZL
- Suits 150mm duct connection

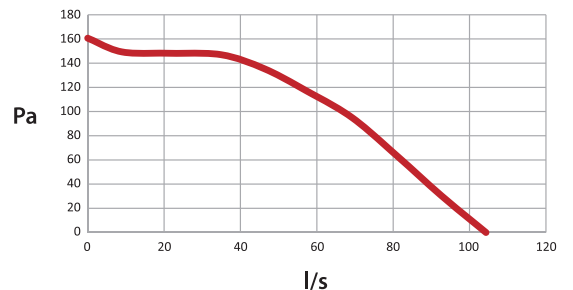
Dimensions



	A	B	C	D	EØ	F (Cutout)
REF150 Series	331	22.4	210	131.35	169.13	290

Performance Curves

REF150-A-T



High performance

Easy installation

Non-return damper



DUCTED CEILING EXTRACTION

HBF Series

SERIOUSLY EASY INSTALLATION

The HBF Series is a ceiling mounted exhaust fan suitable for tight ceiling spaces in domestic and residential high-rise applications.

Technical Data

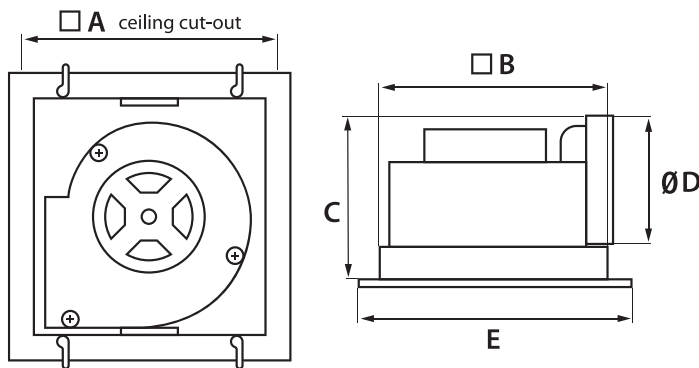
Model	Code	Dia Ø	V	W	r/min	m ³ /hr	L/s	dBa@3m
ALVHBF100-4	ALV105	100	240	34	1130	144	40	22
ALVHBF100-4T	ALV141	100		34	1130	144	40	22
ALVHBF150-6	ALV106	150		38	1030	303	84	39
ALVHBF150-6T	ALV140	150		38	1030	303	84	39

T indicates a built-in timer function 3–20 mins

Features

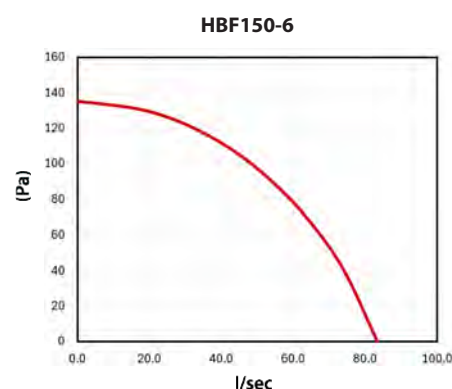
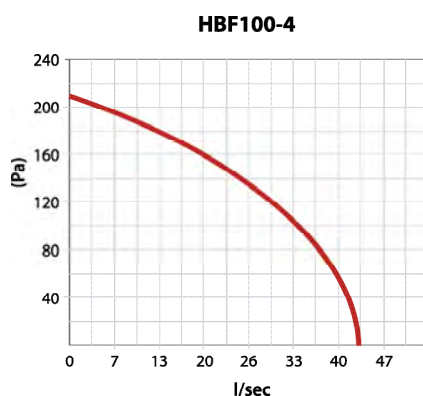
- Hi-static duct characteristics
- High performance centrifugal impeller
- Integrated non-return damper
- Incorporates a clip fixing system for fast and easy installation
- Three pin plug fitted
- Backdraft shutter
- Tapered Grille 9mm thickness
- Replacement option for XC/NVF models

Dimensions



	A	B	C	D	E	Face Size
HBF100-4	246	212	169	98	264	270
HBF150-6	292	274	205	149	313	330

Performance Curves



IPX4

Easy installation

High performance

AXIAL IN-LINE FANS

Punto Ghost Series

COMPACT



The Punto Ghost is suitable for installation in walls and ceilings, false ceilings, lofts and internal walls. Available with or without a timer.



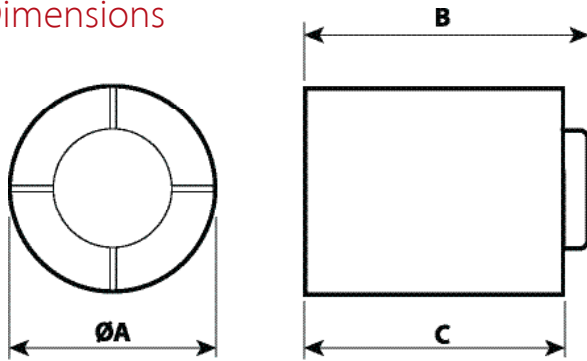
Technical Data

Model	Code		V	W	A	Rpm	m³/h	L/s	Pa	dBA@3m	°C max
	Basic	Timer									
MG100/4" LL	ALV11100	ALV11101	240	18	0.10	2415	80	22.2	25	39	40
MG120/5"	ALV11116	-		20	0.12	2250	160	44	44	43	
MG120/5" LL	ALV11102	ALV11103		30	0.18	2200	320	44.4			
MG150/6"	ALV11117	-						89			
MG150/6" LL	ALV11104	11105						88.9			

Features

- Available with or without timer
- Motor with shielded poles and ball bearings
- Can be used as temperature blenders in adjacent rooms
- Mounting feet available
- Rating IPX4

Dimensions



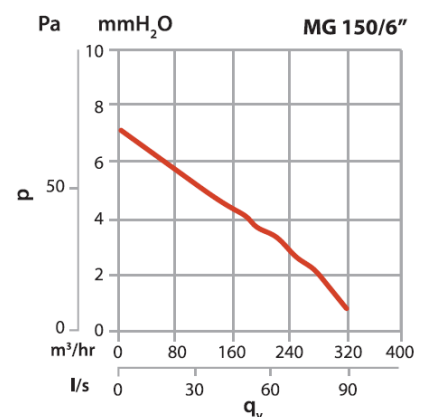
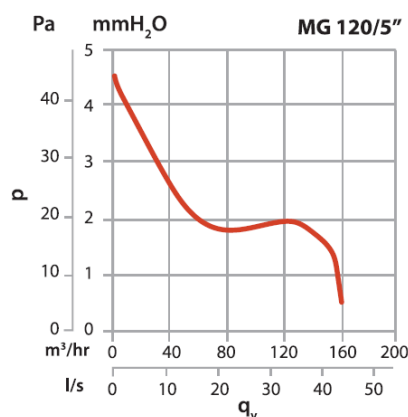
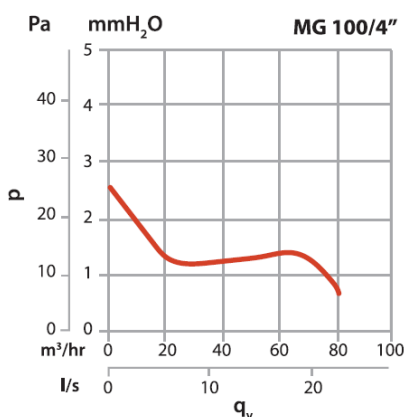
	A	B	C
MG100/4" LL	99	92	89
MG120/5" LL	119	103	89
MG150/6" LL	155	110	107

Accessories

Model	Code	Description
MB100	ALV22259	Mounting Bracket
MB120	ALV22260	Mounting Bracket
MB150	ALV22261	Mounting Bracket

Grilles (refer pg 49-51)

Performance Curves



Long-lasting

Metal construction

Reliable



AXIAL IN-LINE FANS

A Series

RELIABLE, HARD WORKING

The A series axial fans are housed in a quality metal casing. Reliable fans for bathroom and laundry applications.

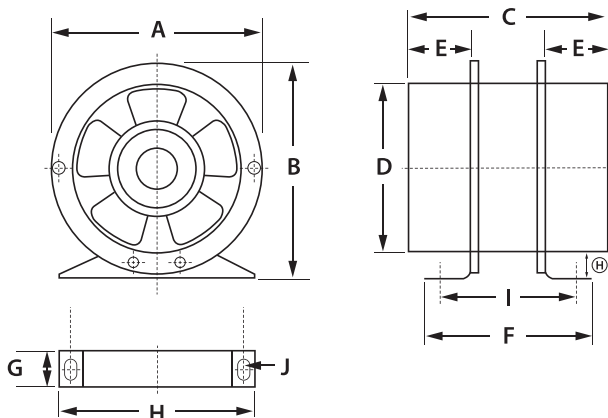
Technical Data

Model	Code	Dia Ø	V-50Hz	A	W	Phase	RPM	L/s	m ³ /hr	dB(A)@3m
ALVA40	ALV109	100	240	0.14	17	1	2750	43	156	32
ALVA60	ALV110	150		0.23	35		2750	80	288	41
ALVA80	ALV111	200		0.23	37		2450	175	630	47
ALVA100	ALV112	250		0.14	31		1400	217	781	42

Features

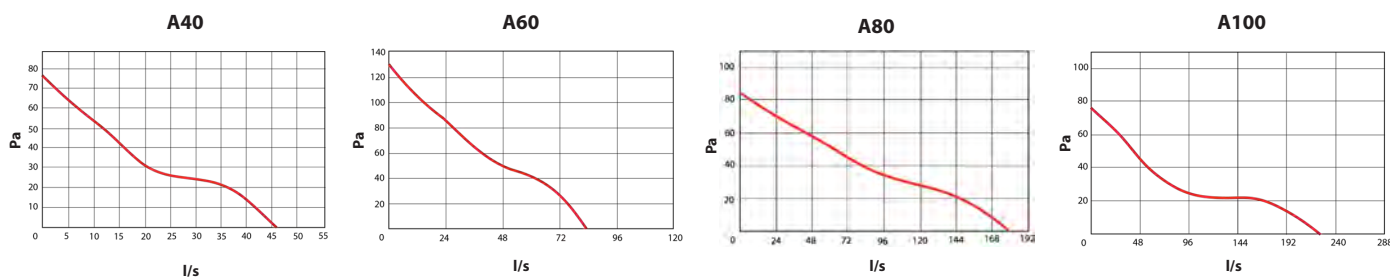
- Metal construction
- Mounting brackets for easy installation
- Long term reliable operation
- Standard with 240V three pin plug

Dimensions



	A	B	C	ØD	E	F	G	H	I	ØJ
A40	120	121	123	99	40	87	24	120	72	5.5
A60	173	181	157	146	51	103	25	165	77	6.5
A80	225	235	165	199	51	122	30	200	92	7
A100	250	270	220	230	65	155	30	255	125	7

Performance Curves



Compact size

High performance

High quality



SMALL AXIAL FANS

Cabinet Fans

COMPACT

This range of small axial fans are ideal for use in compact cabinets and space-limited areas where constant, cooling airflow is required.

Technical Data

Model	Code	Dia Ø	V	Hz	W	m ³ /hr	dBA
ALVUF80A23-BTH*	ALV113	80x80x38	240	50	14	51	32
ALVUF92A23-BTH*	ALV114	92x92x38			16	78	34
ALVUF12A23-SWH^	ALV115	120x120x38			17	156	36
ALVUF16FC23-BTHD#	ALV116	160x160x62			46	450	52
ALVUF18JC23-BTHD#	ALV117	180x180x90			75	781	54

* Solder ^ Flex & Plug #Terminal block

Models subject to change

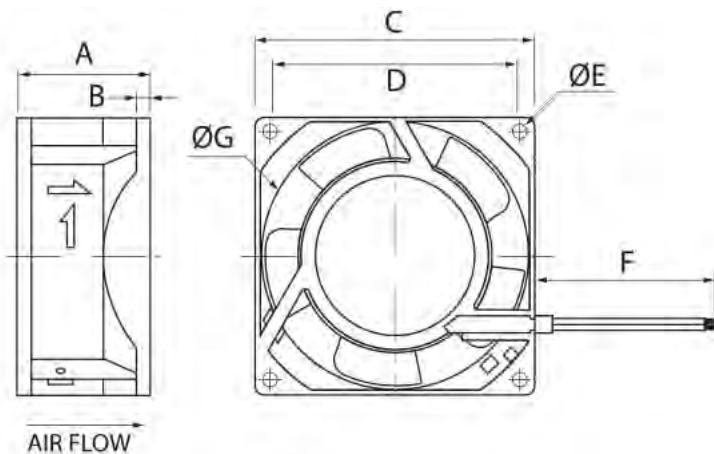
Features

- Made of aluminium casing
- Over 40,000 running hours
- High quality, proven reliability
- Sealed for life ball bearing motor
- Metal/plastic finger guards available

Accessories

Model	Description
ALVUF80AFG	Finger Guard Plastic
ALVUF92AFG	Finger Guard Plastic
ALVUF12AFG	Finger Guard Plastic
ALVUF16AFG	Finger Guard Plastic
ALVUF18AFG	Finger Guard Plastic
ALVUF80AMG	Finger Guard Metal
ALVUF92AMG	Finger Guard Metal
ALVUF12AMG	Finger Guard Metal
ALVUF16AMG	Finger Guard Metal
ALVUF18AMG	Finger Guard Metal

Dimensions



	A	B	C	D	E	F	G
ALVUF80A23-BTH	38	4	80	71.5	4.3	300	76
ALVUF92A23-BTH	38	4	92	82	4.3	300	88
ALVUF12A23-SWH	38	4	120	104.8	4.3	300	114
ALVUF16FC23-BTHD	62	4	189	138.5	5.5	-	142
ALVUF18JC23-BTHD	90	6	209	152.7	5.5	-	160

IP44

Two speed

Low noise



CENTRIFUGAL IN-LINE FANS

CA MD Series

METAL CONSTRUCTION

For medium to smaller air flow volumes against high resistances. Universal application for domestic, commercial and industrial purposes.

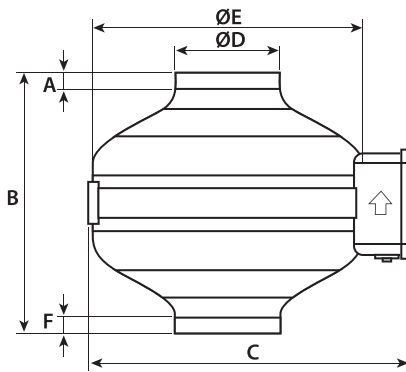
Technical Data

Model	Code	Dia Ø	V	Hz	W	m ³ /hr	L/s	dB(A)@3m
CA100MD	ALV16150	100	240	50	85	340	94	43
CA125MD	ALV16151	122			85	450	125	45
CA150MD	ALV16153	147			85	550	153	53
CA200MD	ALV16155	197			90	830	231	48
CA250MD	ALV16156	247			120	1000	278	52
CA315MD	ALV16157	315			120	1080	300	52

Features

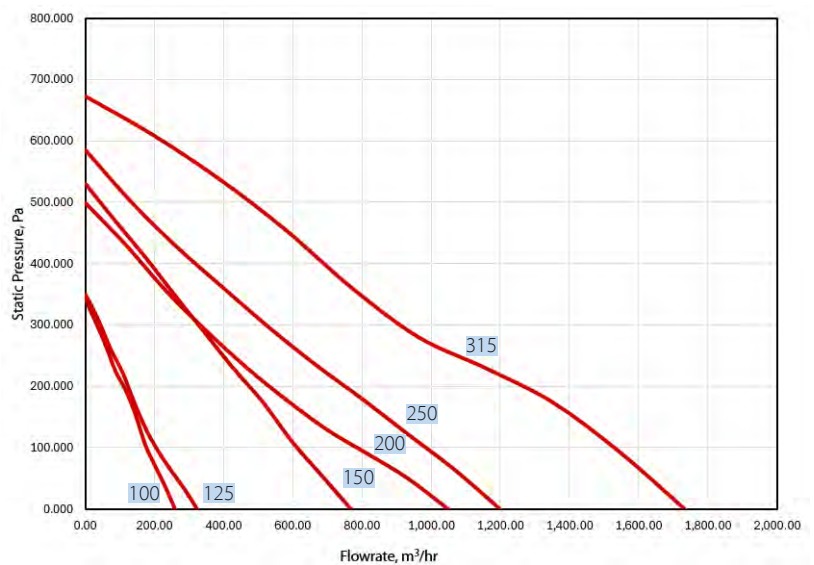
- Two/Three speed
- Polyester powder-coated metal for any weather condition
- Mounting brackets for easy installation
- Turbine fan mounted on ball-bearing motor
- Can be mounted in any position
- Protection rating IP44
- EC motor version available

Dimensions



	A	B	C	ØD	ØE	F
CA100MD	15	239	295	97	255	15
CA125MD	23	239	195	122	255	23
CA150MD	17	275	392	147	347	17
CA200MD	17	275	302	197	347	20
CA250MD	35	275	392	247	347	38
CA315MD	30	306	455	312	406	36

Performance Curves



* All models at high speed

IPX5

High performance

Easy maintenance



IN-LINE MIXED FLOW EXTRACTOR FANS

LINEO Series

LOW POWER CONSUMPTION

The Lineo Series of products are equipped with AC motors and specifically designed for horizontal or vertical installation in conduit for ventilation of residential, commercial or industrial premises.



Technical Data

Models	Code	V~ 50HZ	W (50HZ)		RPM	Max Airflow		Max Pressure		Sound Pressure Lp dB(A)*	Max °C (50HZ)	KG
			min	max		min	max	min	max			
			min	max		min	max	min	max			
LINEO 100	ALV17144	240	20	0.09	1860	180	50	13	127.5	30.7	60	1.8
LINEO 100 T	ALV17185		23	0.11	2450	255	70.8	16.5	161.9	39.4		
LINEO 125	ALV17145	240	25	0.11	1570	250	69.4	13	127.5	33.9	60	1.8
LINEO 125 T	ALV17186		33	0.15	2140	365	101.4	17	166.8	43		
LINEO 150	ALV17146	240	40	0.18	1580	385	106.9	21	206	41.4	60	2.4
LINEO 150 T	ALV17187		58	0.26	2100	550	152.8	27	264.9	50.5		

NEW Models	Code	V~ 50HZ	W (50HZ)		RPM	Max Airflow		Max Pressure		Sound Pressure Lp dB(A)*	Max °C (50HZ)	KG			
			min	med		max	min	med	max				min	med	max
			min	med		max	min	med	max				min	med	max
LINEO 200	ALV17180	240	80	0.34	1925	815	226.4	21.5	210.9	36.9	50	4.9			
LINEO 200 T	ALV17177		95	0.42	2450	1025	284.7	27.3	267.7	43.1					
LINEO 250	ALV17181	240	110	0.49	2710	1135	315.3	30	294.2	46.9	50	5.3			
			90	0.41	1500	725	201	13.9	136.5	35.5					
		240	120	0.54	2240	1145	318	29	284.4	40.8	50	9.5			
			145	0.63	2730	1440	400	37.2	364.8	47					
LINEO 315	ALV17182	240	190	1.14	1770	1590	442	27.1	265.8	42.9	50	9.5			
			260	1.57	2300	1590	588	42.2	413.9	47.6					
			360	1.60	2690	2590	719	55.4	543.3	51.6					

* Calculated in free field conditions at 3 m distance, spherical distribution

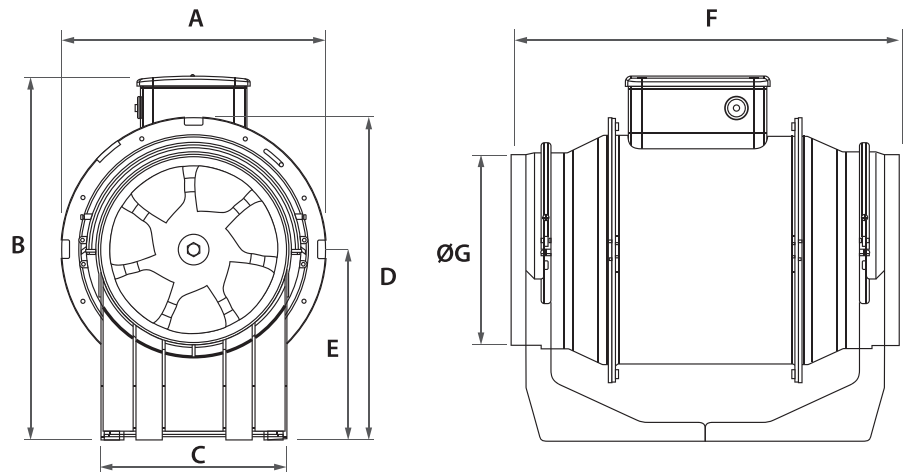
Lineo Series are fitted with 3-speed induction motors. Flexibility and ease of installation ideal for your specific performance-related plant requirements, consumption needs and operating costs.

They boast:

- **high performance**
- **low energy consumption**
- **low noise emissions**, and
- **ease of installation and maintenance**

placing them at the top of the category.

Dimensions



Features

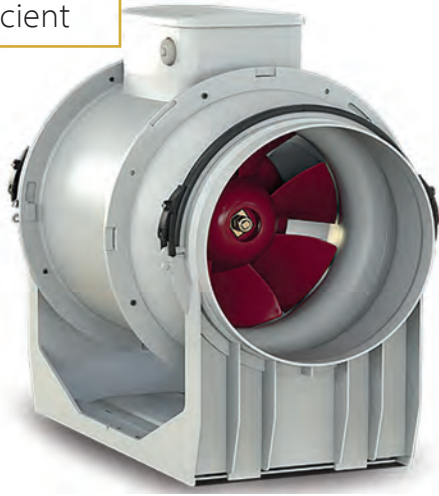
- Designed to fit into small spaces
- Easily removed to facilitate maintenance
- Optimised air flow, maximised performance and increased efficiency
- Minimal noise emissions
- High flow rates and flow around the axis of the impeller
- Long-life motors have shafts mounted on ball bearings, ensuring a virtually 'maintenance free' operation
- Timer models available

Models	A	B	C	D	E	F	ØG
LINEO 100	188.5	211	90	189	101.5	303	96
LINEO 100 T	188.5	211	90	189	101.5	303	96
LINEO 125	188.5	211	90	189	101.5	258	122
LINEO 125 T	188.5	211	90	189	101.5	258	122
LINEO 150	214.5	234	110	212	112.5	294	146
LINEO 150 T	214.5	234	110	212	112.5	294	146
LINEO 200	270	373	190	330	195	396	194.5
LINEO 200 T	270	373	190	330	195	396	194.5
LINEO 250	300	378	200	329	190	322	243
LINEO 315	373	446	309	398	224	420	307

IPX5

High performance

Energy efficient



IN-LINE MIXED FLOW EXTRACTOR FANS

LINEO ES Series

LOW POWER CONSUMPTION

The Lineo Series of products are equipped with EC brushless motors and specifically designed for horizontal or vertical installation in conduit for ventilation of residential, commercial or industrial premises.



Technical Data

Models	Code	V ~ 50HZ	W	A	RPM	Max Airflow		Max Pressure		Sound Pressure Lp dB(A)*	Max °C	KG
						m³/h	l/s	mmH ₂ O	Pa			
						4V	4V	4V	4V			
LINEO 100 ES	ALV17159	240	6.5	0.07	1070	140	38.9	3.7	36.3	15	60	2.3
			8.7	0.09	1345	175	48.6	6.1	59.8	18.9		
			16	0.15	1900	250	250	11.4	111.8	27.2		
			20	0.20	2220	305	84.7	26.4	258.9	31.8		
LINEO 125 ES	ALV17178	240	7	0.07	1090	170	47.2	3.8	37.3	16.2	60	2.2
			10	0.10	1395	220	61.1	6.5	63.7	20		
			18	0.17	1940	315	87.5	11.8	115.7	28.3		
LINEO 150 ES	ALV17179	240	25	0.25	2270	370	102.8	30.2	296.2	31.6	60	2.6
			11	0.10	2125	500	138.9	8.5	83.4	21		
			17	0.16	1595	370	102.8	13.8	135.3	27.2		
LINEO 200 ES	ALV17167	240	34	0.30	1260	290	80.6	22.7	222.6	35.5	50	4.6
			55	0.50	2480	590	163.9	44.2	433.5	41.9		
			15.8	0.19	1380	560	155.6	9.2	90.2	35.1		
LINEO 250 ES	ALV17168	240	25.7	0.28	1700	700	194.4	14.4	141.2	39.9	50	5
			52.8	0.53	2220	920	255.6	24	235.4	42.3		
			90	0.80	2680	1100	305.6	34.9	342.4	44.5		
LINEO 315 ES	ALV17169	240	20	0.20	2270	750	208.3	10.4	102	29	50	9.2
			35	0.30	1695	995	276.4	16.3	159.9	33.7		
			80	0.70	1370	1245	345.8	27.8	272.6	40.9		
LINEO 315 ES	ALV17169	240	125	1.00	2680	1500	416.7	40.5	397.2	43.4	50	9.2
			45	0.38	1310	1385	384.7	14.2	139.3	42.5		
			75	0.64	1580	1720	477.8	21.3	208.9	44		
LINEO 315 ES	ALV17169	240	165	1.35	2130	2300	638.9	37.7	369.7	44.8	50	9.2
			220	1.75	2360	2560	711.1	42.3	414.8	47.5		

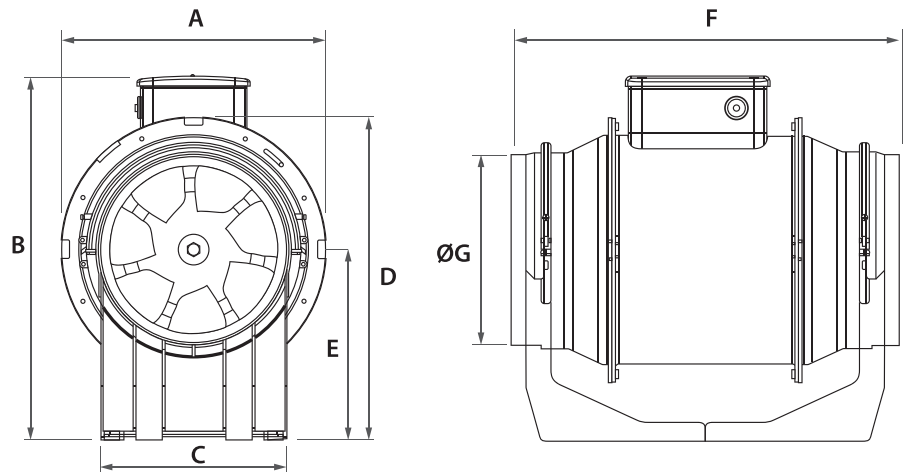
* Calculated in free field conditions at 3 m distance, spherical distribution

Lineo ES Series are fitted with 3-speed induction, EC brushless motors. Flexibility and ease of installation ideal for your specific performance-related plant requirements, consumption needs and operating costs. They boast:

- **high performance**
- **low energy consumption**
- **low noise emissions**, and
- **ease of installation and maintenance**

placing them at the top of the category.

Dimensions



Features

- Designed to fit into small spaces
- Easily removed to facilitate maintenance
- Optimised air flow, maximised performance and increased efficiency
- Minimal noise emissions
- High flow rates and flow around the axis of the impeller
- Long-life motors have shafts mounted on ball bearings, ensuring a virtually 'maintenance free' operation
- Timer models available

Models	A	B	C	D	E	F	ØG
LINEO 100 ES	188.5	240	90	189	101.5	303	96
LINEO 125 ES	188.5	240	90	189	101.5	258	122
LINEO 150 ES	214.5	265	110	212	112.5	294	146
LINEO 200 ES	270	372.5	190	330	195	396	194.5
LINEO 250 ES	300	378	200	329	190	322	243
LINEO 315 ES	373	506	309	398	224	420	307

IPX5 rated

High performance

Sound absorbing

IN-LINE MIXED FLOW EXTRACTOR FANS

LINEO Quiet Series

MINIMAL SOUND EMISSIONS



The Lineo Quiet Range of products are equipped with AC motors and specifically designed for horizontal or vertical installation in conduit for ventilation of residential, commercial or industrial premises.

Technical Data

Models	Code	V~50/60 HZ	W			A			RPM			Max Airflow		Max Pressure		Sound Pressure Lp dB(A)*	Max °C	KG		
			min	med	max	min	med	max	min	med	max	min	med	max	min				med	max
			m ² /h	l/s	mmH ₂ O	Pa														
LINEO 100 QUIET	ALV17160	240	11	0.09	1455	150	41.7	9	88.3	16	45	3.8								
LINEO 100 T QUIET	ALV17190		24	0.11	1880	200	55.6	11.5	112.8	23.5										
			27	0.13	2260	260	72.2	15	147.1	28.4										
LINEO 125 QUIET	ALV17161	240	11	0.09	1125	190	52.8	8	78.5	12.3	45	3.6								
LINEO 125 T QUIET	ALV17191		24	0.11	1475	250	69.4	10	98.1	20.4										
			27	0.13	1880	320	88.9	14	137.3	26.9										
LINEO 150 QUIET	ALV17162	240	24	0.14	1040	255	70.8	10.5	103	14.4	55	5.4								
LINEO 150 T QUIET	ALV17192		37	0.17	1430	350	97.2	15.5	152	22.9										
			50	0.22	2030	510	141.7	21.5	210.9	31.6										
LINEO 200 QUIET	ALV17164	240	50	0.34	1880	805	223.6	20.6	202	27.5	50	8.6								
LINEO 200 T QUIET	ALV17194		80	0.42	2380	1045	290.3	26.3	257.9	32.9										
			95	0.49	2690	1160	322.2	29	284.4	35.5										
LINEO 250 QUIET	ALV17165	240	95	0.42	1640	960	266.7	20.2	198.1	32.2	50	13.4								
			125	0.55	2320	1340	372.2	30.3	297.2	38.5										
			150	0.65	2750	1550	430.6	34.6	339.3	41.9										
LINEO 315 QUIET	ALV17166	240	215	0.95	1930	2070	575	30.6	300.1	39.5	50	28.3								
			270	1.15	2360	2530	702.8	43.3	424.6	43.9										
			360	1.55	2705	2890	802.8	53.6	525.7	47										

* Calculated in free field conditions at 3 m distance, spherical distribution

Lineo Quiet Series is characterised by the sound-absorbing coating, which is fully integrated in the outer casing and optimised to minimise environmental sound emissions with a high degree of protection against water (IPX5). They boast:

- **high performance**
- **low energy consumption**
- **low noise emissions**, and
- **ease of installation and maintenance**

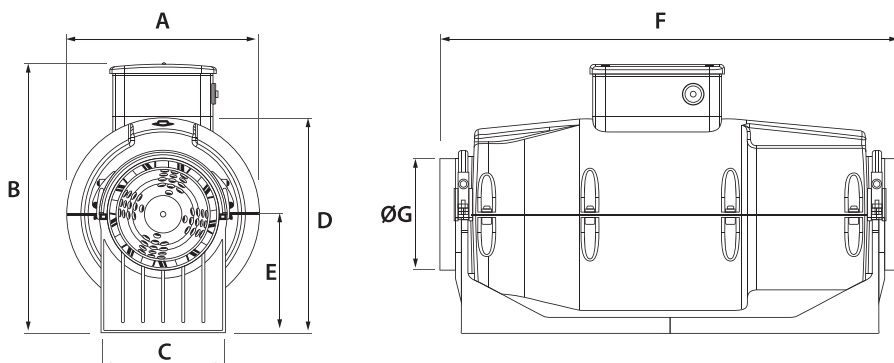
placing them at the top of the category.

Features

- Designed to fit into small spaces
- Easily removed to facilitate maintenance
- Optimised air flow, maximised performance and increased efficiency
- Minimal noise emissions
- High flow rates and flow around the axis of the impeller
- Long-life motors have shafts mounted on ball bearings, ensuring a virtually 'maintenance free' operation
- Timer models available
- 5 year warranty

VERSION A DIMENSIONS

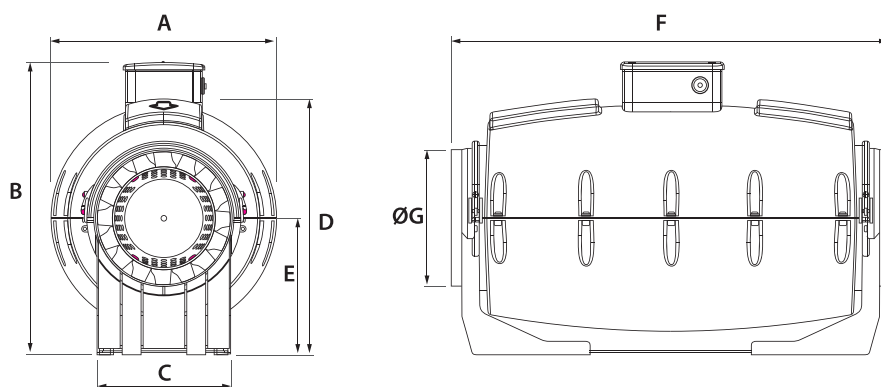
LINEO 100 QUIET - LINEO 100 T QUIET - LINEO 125 QUIET - LINEO 125 T QUIET
LINEO 150 QUIET - LINEO 150 T QUIET - LINEO 160 QUIET - LINEO 160 T QUIET



Model	A	B	C	D	E	F	ØG	Version
LINEO 100 QUIET	210	294.5	135	235	130	639	97	A
LINEO 100 T QUIET								
LINEO 125 QUIET	210	294.6	135	235	130	504.5	122	A
LINEO 125 T QUIET								
LINEO 150 QUIET	232	320.5	170	261.5	145	685	147	A
LINEO 150 T QUIET								

VERSION B DIMENSIONS

LINEO 200 QUIET - LINEO 200 T QUIET - LINEO 250 QUIET - LINEO 315 QUIET



Model	A	B	C	D	E	F	ØG	Version
LINEO 200 QUIET	322.5	417.5	190	363.5	195	625.5	194.5	B
LINEO 200 T QUIET								
LINEO 250 QUIET	318	412	200	363.5	189.5	751.5	243	B
LINEO 315 QUIET								

IPX5 rated

High performance

Energy efficient

IN-LINE MIXED FLOW EXTRACTOR FANS

LINEO Quiet ES Series

HIGH PERFORMANCE



The Lineo Quiet ES Range of products are equipped with EC brushless motors and specifically designed for horizontal or vertical installation in conduit for ventilation of residential, commercial or industrial premises.

Technical Data

Model	Code	V~50/60HZ	W	A	RPM	Max Airflow		Max Pressure		Sound Pressure Lp dB(A)*	Max °C	KG
			4V	4V	4V	m³/h	l/s	mmH₂O	Pa			
			6V	6V	6V	8V	8V	8V	8V			
LINEO 100 QUIET ES	ALV17170	240	6.2	0.09	1140	135	37.5	3.5	34.3	9.9	60	3.8
			8.3	0.12	1450	175	48.6	5.8	56.9	15.9		
			14.7	0.18	2050	250	69.4	11.4	111.8	25.8		
			23	0.26	2510	300	83.3	24.8	243.2	30.9		
LINEO 125 QUIET ES	ALV17171	240	6.6	0.10	1080	180	50	3.3	32.4	11.3	60	3.6
			8.8	0.12	1340	225	62.5	5.6	54.9	16.4		
			16	0.18	1865	320	88.9	11	107.9	25.1		
			24	0.26	2210	380	105.6	23.7	232.4	28.7		
LINEO 150 QUIET ES	ALV17172	240	7.7	0.11	1015	250	69.4	4.6	45.1	13.7	60	5.4
			10.6	0.14	1240	305	84.7	7.5	73.6	18.6		
			20	0.24	1700	430	119.4	14.7	107.9	26		
			31	0.34	2030	515	143.1	24.2	237.3	31		
LINEO 200 QUIET ES	ALV17174	240	15.2	0.18	1380	570	158.3	8.6	84.3	19.7	50	8.6
			25.3	0.27	1705	720	200	13.9	136.3	34.8		
			52.4	0.52	2245	945	262.5	22.9	224.6	30.9		
			88	0.78	2700	1145	318.1	33.6	329.5	35.8		
LINEO 250 QUIET ES	ALV17175	240	20	0.19	1365	750	208.3	10.1	99.1	24.7	50	13.4
			35	0.28	1680	940	261.1	15.6	153	29.8		
			75	0.60	2250	1250	347.2	26.6	260.9	37.3		
			125	0.97	2680	1485	412.4	37.5	367.8	41		
LINEO 315 QUIET ES	ALV17176	240	42	0.31	1260	1400	388.9	12.9	126.5	33.5	50	28.3
			72	0.51	1560	1730	480.6	19.5	191.2	35.8		
			155	1.10	2070	2300	638.9	33.8	331.5	44.6		
			220	1.52	2350	2630	730.6	38.7	379.5	48.3		

* Calculated in free field conditions at 3m distance, spherical distribution

Lineo Quiet ES Series

is characterised by the sound-absorbing coating, which is fully integrated in the outer casing and optimised to minimise environmental sound emissions with a high degree of protection against water (IPX5). They boast:

- **high performance**
- **low energy consumption**
- **low noise emissions**, and
- **ease of installation and maintenance**

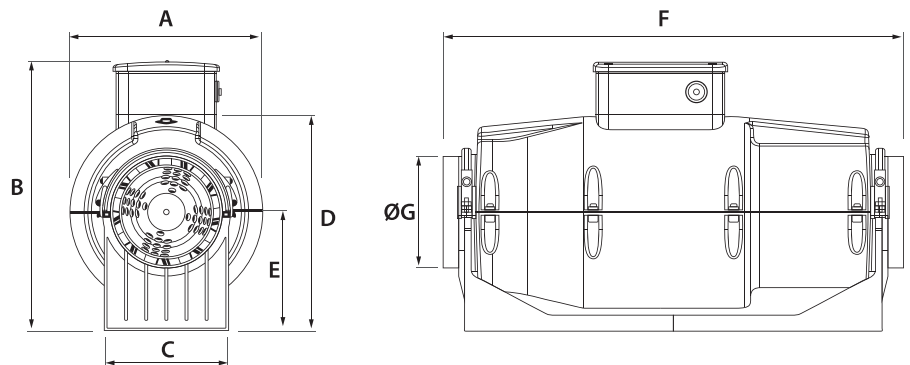
placing them at the top of the category.

Features

- Designed to fit into small spaces
- Easily removed to facilitate maintenance
- Optimised air flow, maximised performance and increased efficiency
- Minimal noise emissions
- High flow rates and flow around the axis of the impeller
- Long-life motors have shafts mounted on ball bearings, ensuring a virtually 'maintenance free' operation
- Timer models available
- 5 year warranty

VERSION A DIMENSIONS

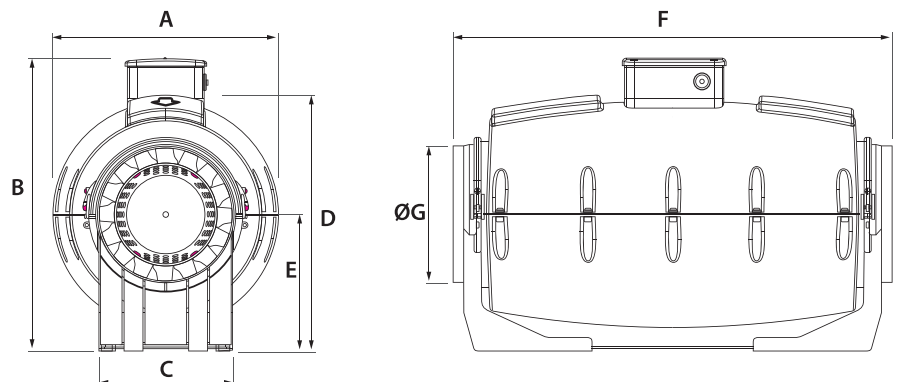
LINEO 100 QUIET ES - LINEO 125 QUIET ES - LINEO 150 QUIET ES - LINEO 160 QUIET ES



Model	A	B	C	D	E	F	ØG	Version
LINEO 100 QUIET ES	210	294.6	135	235	130	639	97	A
LINEO 125 QUIET ES	210	294.6	135	235	130	504.5	122	A
LINEO 150 QUIET ES	232	320.6	170	261.5	145	685	147	A

VERSION B DIMENSIONS

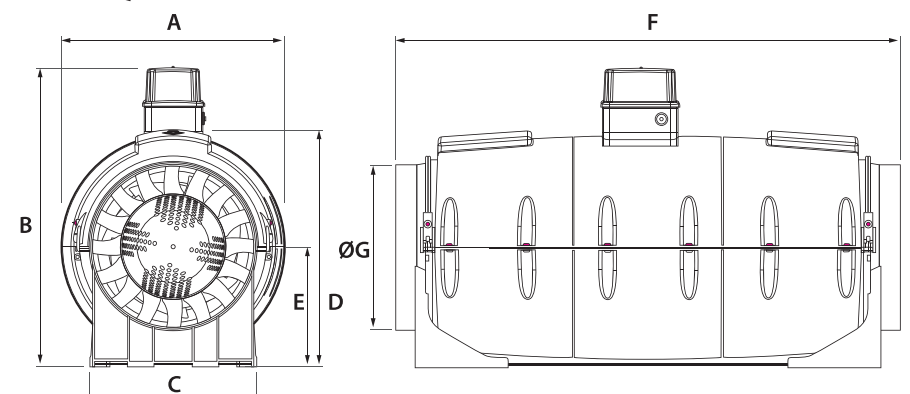
LINEO 200 QUIET ES - LINEO 250 QUIET ES



Model	A	B	C	D	E	F	ØG	Version
LINEO 200 QUIET ES	325	417.6	190	363.5	195	625.5	194.5	B
LINEO 250 QUIET ES	318	411.9	200	363.5	189.5	751.5	243	B

VERSION C DIMENSIONS

LINEO 315 QUIET ES



Model	A	B	C	D	E	F	ØG	Version
LINEO 315 QUIET ES	415.5	557.8	309	441	234	940	307	C

12 month warranty

Easy installation

Quiet operation



SUB FLOOR VENTILATION

SF Series

UNDERFLOOR VENTILATION SYSTEM

These underfloor fans are designed for sub floor ventilation. Available as a supply / exhaust fan, made to order. Ideal for high moisture areas.

Technical Data

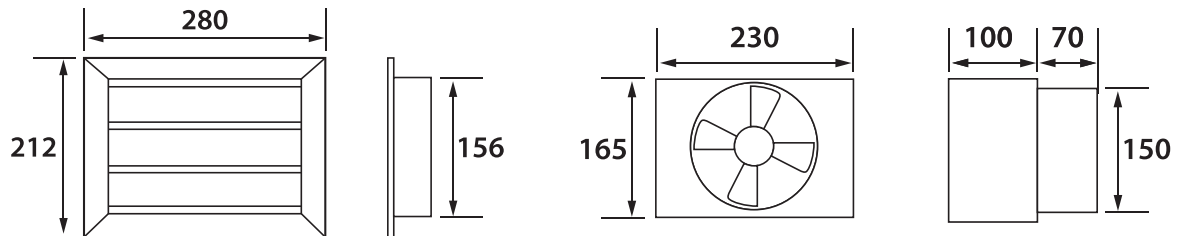
Model	Code	Flow	Cut-out Size	V	Hz	W	m ³ hr	L/s	dBa @3m
ALVSFE9712*	ALV252	Exhaust Fan	232 x 167	12	50	13	328	91	45
ALVSFE9724	ALV253	Exhaust Fan	232 x 167	240		35	328		
ALVSFS9712*	ALV254	Supply Fan	232 x 167	12		13	328		
ALVSFS9724	ALV255	Supply Fan	232 x 167	240		35	328		

Features

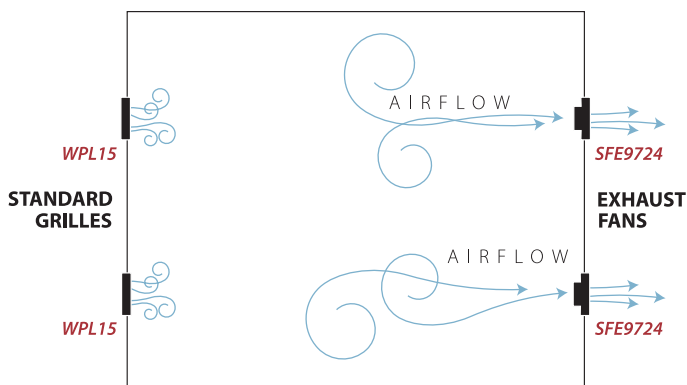
- Available in 240V and 12V
- Three pin plug (240V only)
- Quiet operation
- 12 month warranty

*Plug pack transformer included for 12v models

Dimensions

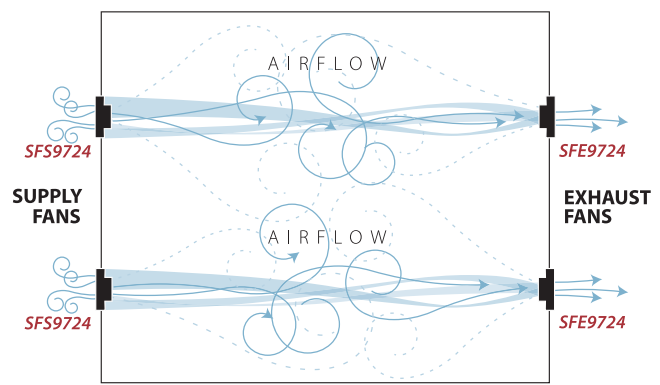


STANDARD OPTION



- **Standard grille (WPL15)** allow natural flow inlet air
- **Exhaust fan (SFE9724)** extract air from building space

RECOMMENDED OPTION



- **Supply fan (SFS9724)** introduce outside air
- **Exhaust fan (SFE9724)** extract air from building space
- **Creates** better cross-flow and removes air from complete building space (no 'dead' spots)



Allvent Energy Recovery Range

Wall Mounted

HRW 60 MONO EVO HCS	31
HR300 NETI	32
HR350 AVEL	33
HR450 AVEL D	34

In Ceiling Mounted

ALVER/HR	35
----------	----



ENERGY RECOVERY VENTILATION

What is an ERV?

An Energy Recovery Ventilator (ERV) is an advanced ventilation system designed to improve indoor air quality and energy efficiency by transferring heat and moisture between incoming fresh air and outgoing exhaust air. This process helps maintain a comfortable indoor environment while reducing the energy required for heating and cooling.

They play a critical role in creating sustainable, energy-efficient buildings by minimizing energy wastage while ensuring a consistent supply of fresh, filtered air.

Why use an ERV?

- Energy Efficiency
- Improved Indoor Air Quality (IAQ)
- Humidity Control
- Comfort and Climate Control
- Cost Savings
- Extended HVAC System Life

Types

Decentralised - Wall Mount type, suitable for single room applications (pg 31)

Centralised - Wall Mount, suitable in small residential/apartment applications (pg 32-35)

Centralised - In Ceiling Mount, suitable for residential/commercial applications (pg 36)

MECHANICAL VENTILATION WITH HEAT RECOVERY

VORT HRW 60

WALL MOUNT DECENTRALISED UNIT



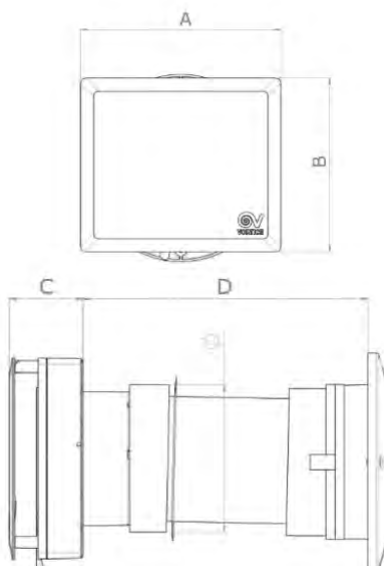
Decentralised ventilation system with heat recovery, suitable for recessed installation in outside walls. Quiet, efficient, energy saving and antiallergic, easy to install and maintain.



Technical Data

Model	Code	V	Hz	W	l/s	m ³ /h	Pa	dBA@3m
VORT HRW 60 MONO EVO HCS	ALV12431	240	50	7	17	60	120	44.6
VORT HRW 60 MONO EVO HCS WiFi	ALV12432	240	50	8	17	60	120	44.6

Dimensions



	A	B	C	D	Ø
VORT HRW 60 MONO EVO HCS	231	200	73	283	146
VORT HRW 60 MONO EVO HCS WiFi	231	200	73	283	146

Features

Ventilation units with decentralised heat recovery, for installation in residential buildings for improved energy efficiency. Ideal not only to ensure proper air exchange, but also to prevent excess humidity in the room and the onset of mold on the walls.

- Shockproof and anti-UV plastic resin structure.
- Ceramic heat exchanger with hexagonal cells. High heat exchange efficiency (up to 90% at minimum air flow).
- EC high-efficiency fan motor; Five operating speeds, to maximize performance, when needed, or minimize noise and consumption.
- Relative humidity probe integrated into the product.
- Automatic by-pass for free-cooling (manual activation allowed as alternative)
- Two air filters, an IsoCoarse 65% and a coarser pre-filter for dust, both easily removable for washing
- Mechanical quick-release air closure system integrated into the product chassis.
- External rubber grille, which can be installed from the outside using dowels or inserted from the inside, through the hole in the wall, without resorting to external scaffolding.

High performance

Energy saving

Low noise

MECHANICAL VENTILATION WITH HEAT RECOVERY

HR300 NETI

VORT HR SERIES

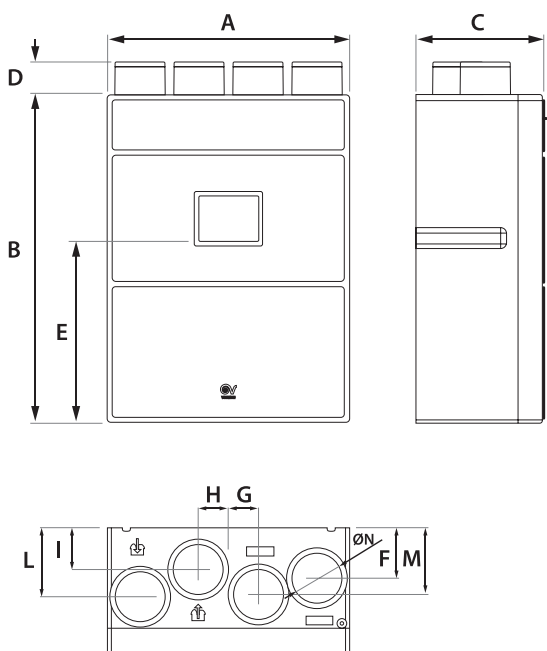


The Vort HR Series is a highly efficient, wall mounted, residential heat recovery unit with low noise and high air flow and static pressure. Ideal to suit the Australian climate!

Technical Data

Model	Code	V	Hz	W	l/s	m ³ /h	Pa	dBA@3m
HR300 NETI	ALV10935	240	50	190	83	300	735	28

Dimensions



Features

The revolutionary, ultra-compact HR300 NETI, continuously-running, whole-house ventilation unit with heat recovery, is independently tested to the highest standards.

The combination of ultra-low power consumption and a highly efficient heat exchanger is specifically designed to enhance SAP performance, yet the unit remains small enough to be easily incorporated into apartments and smaller houses. The Vort HR Series units have many new features including removable airtight filter covers for easy access to filter maintenance.

- Modern designed front panel made of plastic resin with a glossy finish
- Round duct connection ports, nominal diameter 125mm
- Two EC (brushless) motors with shaft turning in ball bearings, each coupled to a forward curved centrifugal impeller; three speeds, independently adjustable at the installation.
- High-efficiency counter-flow heat exchanger
- Automatic by-pass for free-cooling (manual activation allowed as alternative)
- Control panel, on the front cover, allowing:
 - the product configuration at the installation, the manual setting of the operating mode, the automatic operation settings and the correct functioning monitoring, the system diagnostic, the constant filters status monitoring and the relative maintenance / replacement needs, firmware updates
- Bracket for wall-mounted installation supplied as standard

	A	B	C	D	E	F	G	H	I	L	M	ØN
HR300 NETI	600	812	317	80	450	125	74	74	104	172	165	125

High performance

Energy saving

Low noise

MECHANICAL VENTILATION WITH HEAT RECOVERY

HR350 AVEL

VORT HR SERIES

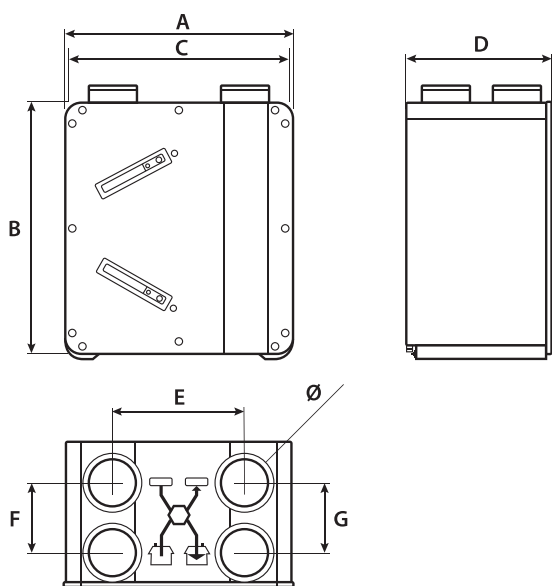


The Vort HR Series is a highly efficient, wall mounted, residential heat recovery unit with low noise and high air flow and static pressure. Ideal to suit the Australian climate!

Technical Data

Model	Code	V	Hz	W	l/s	m ³ /h	Pa	dBA@3m
HR350 AVEL	ALV12106	240	50	165	100	350	880	23.1

Dimensions



	A	B	C	D	E	F	G	Ø
HR350 AVEL	712	845	700	455	410	220	215	150

Features

- Plastic (PPE) fire-resistant enclosure (DIN EN 13501). Brackets for wall-mounted installation supplied as standard
- Front panel made of plastic resin, integrating covers for filters direct access
- Round duct connection ports, nominal diameter 150mm
- Two EC (brushless) motors, external rotor, with shaft turning in ball bearings to grant a "maintenance free" functioning, each coupled to a backward curved centrifugal impeller; two speeds, independently adjustable at the installation.
- High efficiency counter-flow heat exchanger
- Automatic frost-protection to prevent icing on the heat exchanger
- Automatic, 100% filtered, mechanic by-pass, granting people comfort in the rooms in mid-season or when the weather does not require the action of the heat exchanger
- Wired control panel with LCD display, which allows:
 - to switch on / off the unit; the first set-up; to set the speed;
 - to set the weekly timer; to show time and room temperature;
 - to monitor the correct product operation (any faults are shown on the display); to show the filters status
- Two M5 filters (F7 filter for air supply duct available as optional), easy access for periodic maintenance
- Condense water tray with discharge pipes
- Possibility of connection to environmental external sensors (available as optional), for automatic functioning control

How it works

A central, continuously-running, mechanical supply and extract fan extracts air from moisture-producing areas such as kitchens and bathrooms to remove odours and humidity. The air is passed over the heat exchanger transferring a high proportion heated extract air to the incoming air, which is then distributed to other rooms.

Whole-building ventilation is maintained by a contrast flow of air between input and extract points. A boost facility provides rapid extraction when necessary. As an alternative, every room may have an individual unit as opposed to a centrally located and ducted unit.

High performance

Energy saving

Low noise

MECHANICAL VENTILATION WITH HEAT RECOVERY

HR450 AVEL D

VORT HR SERIES



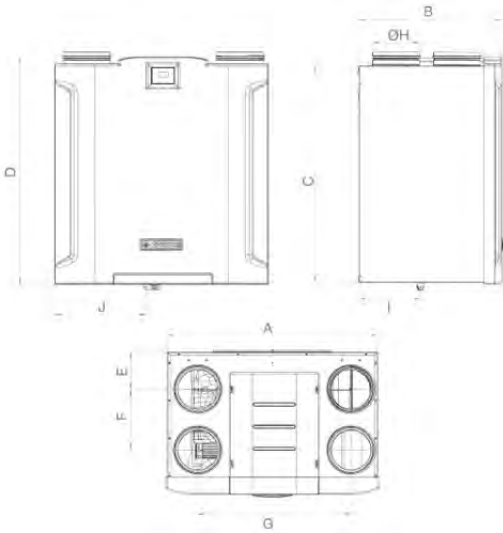
The Vort HR Series is a highly efficient, wall mounted, residential heat recovery unit with low noise and high air flow and static pressure. Ideal to suit the Australian climate!



Technical Data

Model	Code	V	Hz	W	l/s	m ³ /h	Pa	dB(A)@3m
HR450 AVEL D	ALV12101	240	50	350	110	400	680	26.7

Dimensions



	A	B	C	D	E	F	G	ØH	I	J
HR450 AVEL	708	480	730	766	125	205	516	158	207	308

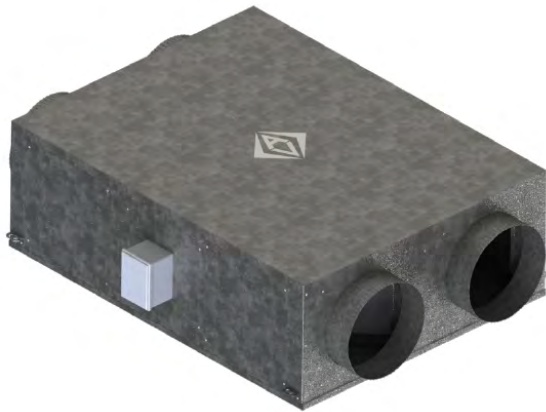
Features

- Galvanized and painted sheet steel enclosure.
- Aesthetic front panel made of plastic resin (ABS). Internal components made of EPP.
- Round duct connection ports, nominal diameter 160mm
- 2 EC (brushless) motors, external rotor, controlled at constant airflow (CAV), with shaft turning in ball bearings to grant a "maintenance free" functioning, each coupled to a forward curved centrifugal impeller; 4 speeds, independently adjustable at the installation
- High efficiency counter-flow heat exchanger
- Automatic frost-protection to prevent icing on the heat exchanger
- Automatic, 100% filtered, mechanic by-pass, granting people comfort in the rooms in mid-season or when the weather does not require the action of the heat exchanger
- 3 x ISO Coarse 90% (G4) filters, respectively on extraction, supply ports and for the by-pass. ePM10 50% (M5) and ePM1 55% (F7) filters available as optional per the supply port and for by-pass.
- Wired control panel with LCD display, which allows:
 - to switch on / off the unit; the first set-up; to set the speed; to set the weekly timer; to show time and room temperature; to monitor the correct product operation (any faults are shown on the display); to show the filters status
- Brackets for wall-mounted installation supplied as standard. Two M5 filters (F7 filter for air supply duct available as optional), easy access for periodic maintenance
- Condense water tray with discharge pipes
- Possibility of connection to environmental external sensors (available as optional), for automatic functioning control

MECHANICAL VENTILATION WITH HEAT RECOVERY

ALVER/HR

IN CEILING ENERGY RECOVERY RANGE



Designed for commercial, industrial, and residential settings, our ERUs combine performance, efficiency, and sustainability, making them an indispensable part of modern HVAC systems.

Working

The basic principle involves extracting heat from the outgoing air (which is being exhausted from the building) and transferring it to the incoming fresh air. This process helps preheat the incoming air during colder months and pre-cool it during warmer months, reducing the load on the heating or cooling system.

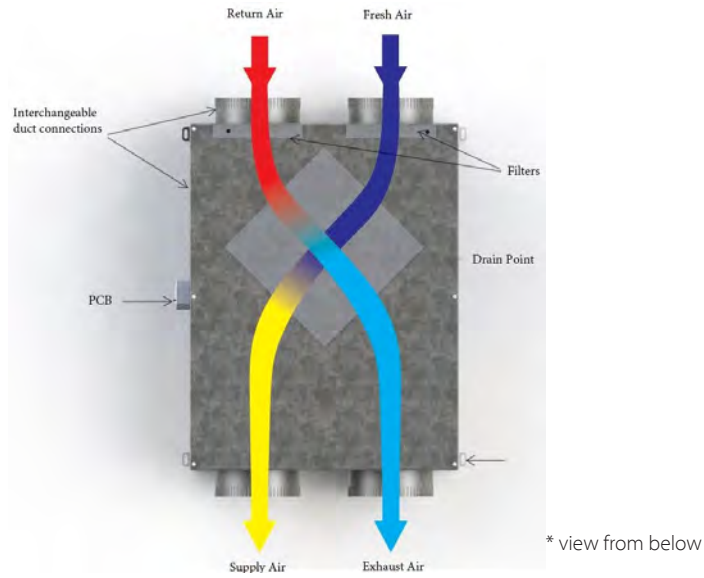
Using heat recovery units leads to energy savings, lower heating and cooling costs, and improved indoor air quality by providing a constant supply of fresh, filtered air. These systems are used in residential, commercial, and industrial buildings to meet ventilation requirements while minimizing energy wastage.

Features

- Energy efficiency EC plug fans
- Galvanised Sheet metal construction
- 2x G4 Filter Fitted
- Speed controllable by 0-10V DC control via BMS or by built in fan speed pots
- High efficiency cross flow type heat exchanger
- Interchangeable duct connections for high flexibility
- Available in both Enthalpy and Sensible only media
- The Energy Recovery (Enthalpy) type media is made of Polymer Membrane which is used to recover both Temperature and Humidity
- The Heat Recovery (Sensible) type media is made of Aluminium which is used to recover Temperature only.



Equipment Layout

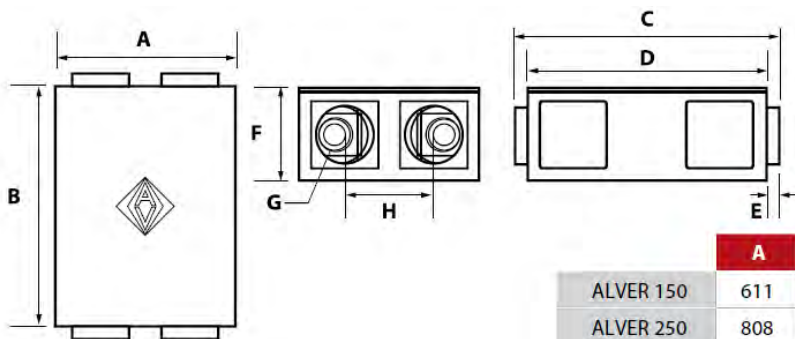


Technical Data

Model	Code	Hz	V	A (Nom)	Nominal Airflow (l/s)	Phase	Filter		Heat Exchanger		Dimensions LxWxH
							Grade	Qty	Type	Options	
ALVER 150	ALV80100	50	230	3.8	150	1	G4	2	Cross Flow	Enthalpy or Sensible*	820x610x294
ALVER 250	ALV80101		230	6.0	250	1					1082x808x422
ALVER 350	ALV80102		230	6.6	350	1					1224x950x422
ALVER 450	ALV80103		230	11.2	450	1					1283x1100x422
ALVER 650	ALV80104		230	11.2	650	1					1478x1212x478
ALVER 950	ALV80105		400	4.6	950	3					1598x1286x648
ALVER 1250	ALV80106		400	8.2	1250	3					1592x1278x848

* Use model ALVHR-xxx for Sensible only option

Dimensions



	A	B	C	D	E	F	G	H
ALVER 150	611	820	1004	820	58	294	Ø200	302
ALVER 250	808	1082	1266	1082	58	422	Ø250	400
ALVER 350	950	1224	1409	1224	58	422	Ø300	471
ALVER 450	1100	1283	1466	1283	58	422	Ø350	541
ALVER 650	1212	1478	1667	1478	94.5	478	400x400	-
ALVER 950	1286	1598	1787	1598	94.5	648	450x450	-
ALVER 1250	1278	1592	1787	1592	97.5	848	610x510	-



Ventilation Kit Range

Ventilation Kits

ALVA40 Kit	38
ALVA60 Kit	38
ALVMFI150 Kit	38
ALVMFI200 Kit	38
Slim4A Kit	39
Slim5A Kit	39
Slim6A Kit	39

Air Transfer Kits

AT Kit 1A	40
AT Kit 1	40
AT Kit 2	40
AT Kit 3	40

Lineo Quiet ATS Kits

ATS Kit 1	41
ATS Kit 2	41
ATS Kit 3	41

Prestige Bathroom Kits

ALVP Kit 1	43
ALVP Kit 2	43
ALVP Kit 3	43

Universal Rangehood Kit

ALVURK	44
--------	----

KITS TO SUIT ALL APPLICATIONS

Ventilation Kits

COMPLETE PACKAGE IN ONE BOX

Ventilating to the outside prevents condensation damage to roof areas.



ALVA60 Kit

Code ALV905

- 1 x A60 in-line fan
- 1 x 150mm diameter x 3m length duct
- 1 x 150mm fixed grille, 1 x 150mm jet grille



ALVA40 Kit

Code ALV904

- 1 x A40 in-line fan
- 1 x 100mm diameter x 3m length duct
- 1 x 100mm fixed grille, 1 x 100mm cone grille



ALVMFI150 Kit

Code ALV9030

- 1 x MFI150 in-line fan
- 1 x 150mm diameter x 6m length duct
- 1 x 150mm fixed grille, 1 x 150mm cone grille

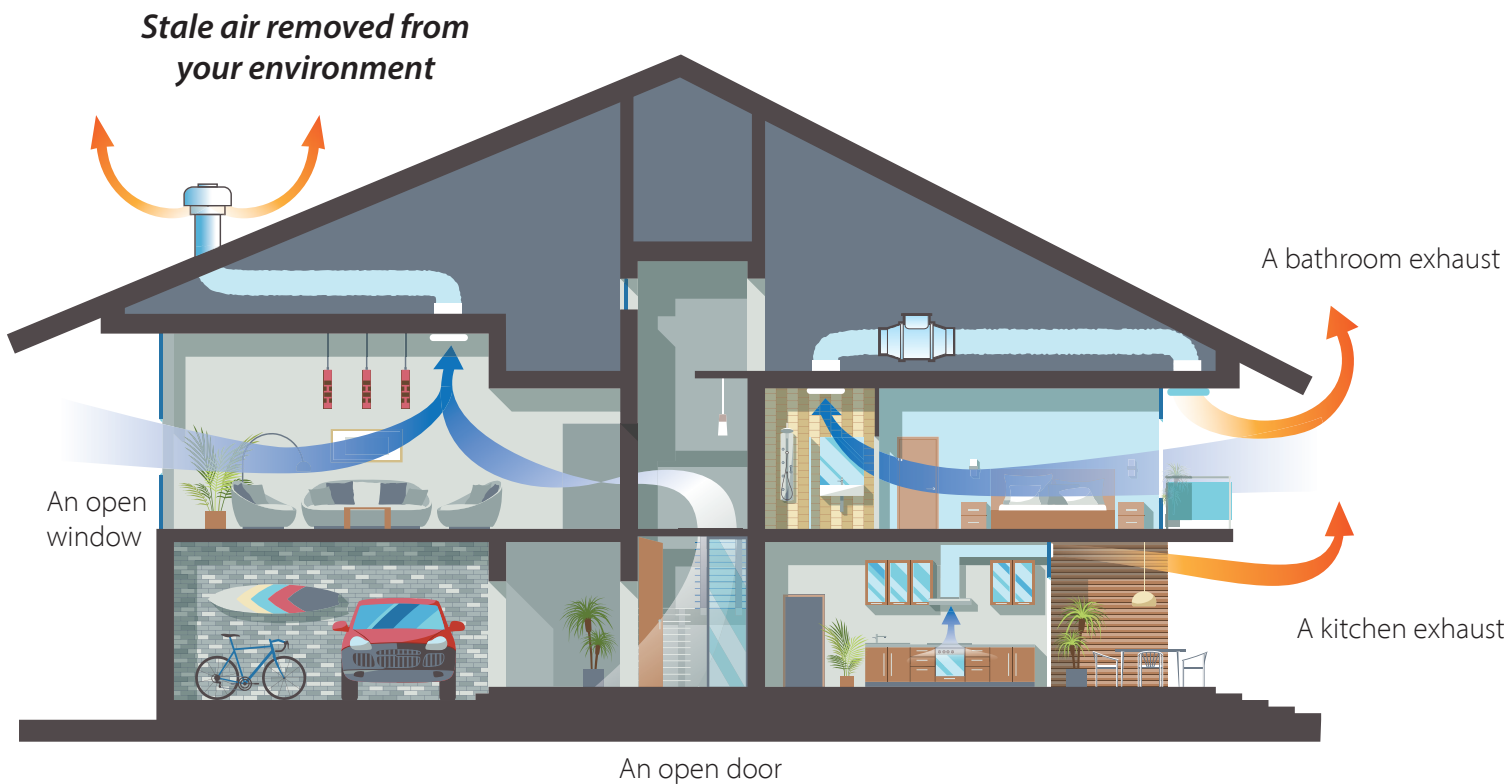


ALVMFI200 Kit

Code ALV9033

- 1 x MFI200 in-line fan
- 1 x 200mm diameter x 6m length duct
- 1 x 200mm fixed grille, 1 x 200mm cone grille

The above kits are available with A80, Lineo and Lineo Quiet models



ALVSLIM4A Kit

Code	ALV906
------	--------

- 1 x SLIM4A
- 1 x 100mm diameter x 3m length duct
- 1 x 100mm fixed grille



ALVSLIM5A Kit

Code	ALV914
------	--------

- 1 x SLIM5A
- 1 x 125mm diameter x 3m length duct
- 1 x 125mm fixed grille



ALVSLIM6A Kit

Code	ALV907
------	--------

- 1 x SLIM6A
- 1 x 150mm diameter x 3m length duct
- 1 x 150mm fixed grille

For more information on fans indicated:

<i>Slim Evolution Series</i>	<i>pg 9</i>
<i>A Series</i>	<i>pg 17</i>
<i>Lineo Series</i>	<i>pg 20</i>
<i>Jet Centre grille</i>	<i>pg 50</i>
<i>Fixed and Gravity grille</i>	<i>pg 51</i>

*We design kits
to suit your needs.*



SHARE THE WARMTH/COOL

Air Transfer Kits

EXTRACT AND SUPPLY

Transfer cold/warm air from air conditioners, fireplace and heaters from one room to another.

Four kits specially designed to suit your family's needs.

Send us your floor plans and we will design a **Air Transfer System** for your home!

Kit 1/1A: Room to Room



ALVMFI150ATKIT1

- 1 x MFI150 in-line mixed-flow fan
- 2 x 6WRC-150mm cone grilles
- 1 x 6m/150mm insulated flex
- 1 x VA500 speed controller
- 1 x duct tape
- » For Lineo kit use ALV150ATKIT1 (ALV908)

ALVA60ATKIT1A

- 1 x A60 axial fan
- 2 x 6WRC-150mm cone grilles
- 1 x 6m/150mm insulated flex
- 1 x VA500 speed controller
- 1 x duct tape

Technical Data

Model	Code	L/s	m ³ /hr	dBA
ALVMFI150ATKIT1	ALV901	153	550	33
ALVA60ATKIT1A	ALV909	91	328	41

Kit 2: One Room to Two Rooms



ALVMFI150ATKIT2

- 1 x MFI150 in-line mixed-flow fan
- 3 x 6WRC-150mm cone grilles
- 2 x 6m/150mm insulated flex
- 1 x 150mm Y fitting
- 1 x VA500 speed controller
- 1 x duct tape
- » For Lineo kit use ALV150ATKIT2 (ALV910)

ALVMFI200ATKIT2

- 1 x MFI200 in-line mixed-flow fan
- 1 x 8WRC-200mm cone grille
- 2 x 6WRC-150mm cone grilles
- 1 x 6m/200mm insulated flex
- 2 x 6m/150mm insulated flex
- 1 x 200/150/150mm Y fitting
- 1 x VA500 speed controller
- 1 x duct tape
- » For Lineo kit use ALV200ATKIT2 (ALV9112)

Technical Data

Model	Code	L/s	m ³ /hr	dBA
ALVMFI150ATKIT2	ALV902	153	550	33
ALVMFI200ATKIT2	ALV9110	226	815	42

Kit 3: One Room to Three Rooms



ALVMFI200ATKIT3

- 1 x MFI200 in-line mixed-flow fan
- 1 x 8WRC-200mm cone grille
- 3 x 6WRC-150mm cone grilles
- 1 x 6m/200mm insulated flex
- 2 x 6m/150mm insulated flex
- 1 x DBTO-200/150/150/150
- 1 x VA500 speed controller
- 1 x duct tape
- » For Lineo kit use ALV200ATKIT3 (ALV911)

Technical Data

Model	Code	L/s	m ³ /hr	dBA
ALVMFI200ATKIT3	ALV9114	226	815	42

All Allvent Air Transfer Kits

come with speed controller and cone grilles as standard. Cone grilles can be changed to jet centre grilles upon request.

WHISPER QUIET, ROOM TO ROOM

Lineo Quiet ATS Kits

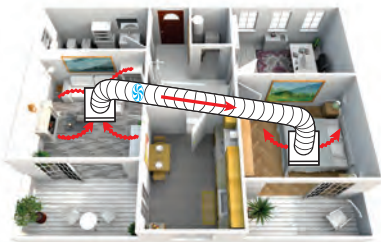
EXTRACT AND SUPPLY



The Lineo QUIET mixed-flow fan is specially designed for excellent sound attenuation.

Ideal to boost comfort levels in bedrooms and study areas where noise levels must be at a minimum.

Kit 1: Room to Room



ALV150ATSKIT1

- 1 x Lineo 150 QUIET in-line mixed-flow fan
- 2 x 6WRC-150mm ceiling grilles
- 1 x 6m/150mm insulated flex
- 1 x VA500 speed controller
- 1 x duct tape

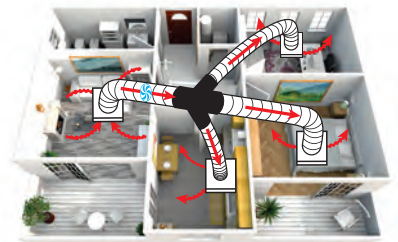
Kit 2: One Room to Two Rooms



ALV150ATSKIT2

- 1 x Lineo 150 QUIET in-line mixed-flow fan
- 3 x 6WRC-150mm ceiling grilles
- 2 x 6m/150mm insulated flex
- 1 x 150mm Y fitting
- 1 x VA500 speed controller
- 1 x duct tape

Kit 3: One Room to Three Rooms



ALV200ATSKIT3

- 1 x Lineo 200 QUIET in-line mixed-flow fan
- 1 x 8WRC-200mm cone grille
- 3 x 6WRC-150mm cone grilles
- 1 x 6m/200mm insulated flex
- 2 x 6m/150mm insulated flex
- 1 x DBTO-200/150/150/150
- 1 x VA500 speed controller
- 1 x duct tape

Technical Data

Model	Code	L/s	m ³ /hr	dBA
ALV150ATS KIT1	ALV912	140	550	31

Technical Data

Model	Code	L/s	m ³ /hr	dBA
ALV150ATS KIT2	ALV913	140	550	31

Technical Data

Model	Code	L/s	m ³ /hr	dBA
ALV200ATS KIT3	ALV920	320	1160	35.5

For more information on fans indicated:

- A Series *pg 17*
 Lineo Series *pg 20*
 Lineo Quiet Series *pg 24*
 Grilles and Accessories *pg 50*



EXHAUST KITS

Prestige Bathroom Kits

NEW AND EXCLUSIVE

Allvent welcomes their new Prestige Range. Quality, excellence in airflow, and practical application with modern styling, specifically designed for the architect and selective home owner.

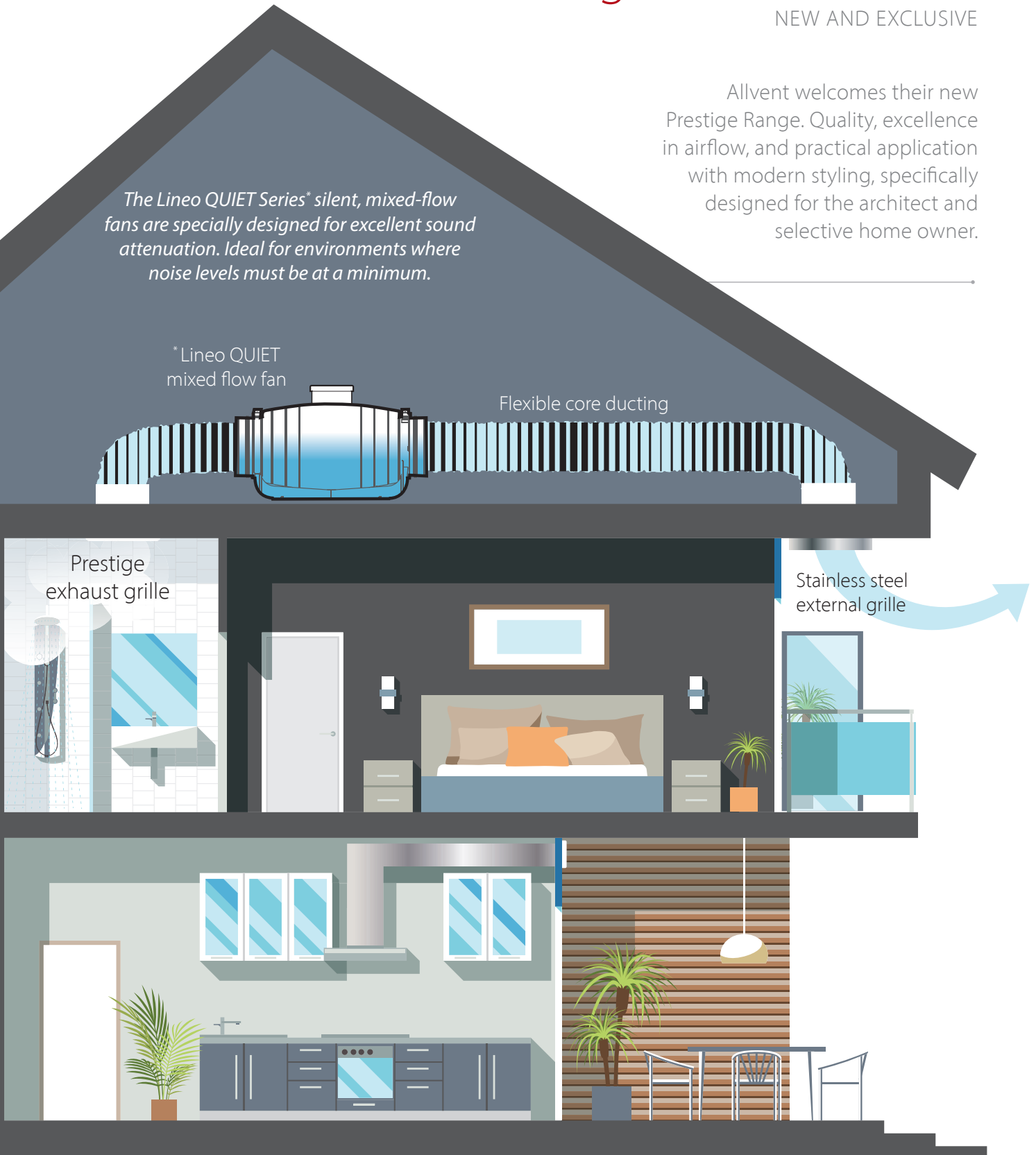
The Lineo QUIET Series silent, mixed-flow fans are specially designed for excellent sound attenuation. Ideal for environments where noise levels must be at a minimum.*

* Lineo QUIET mixed flow fan

Flexible core ducting

Stainless steel external grille

Prestige exhaust grille



* See Page 24 for more information on the Lineo QUIET Series.



Its in the box.

- Your choice between 3 x Prestige exhaust grilles
- Lineo QUIET mixed flow fan
- Flexible core ducting
- Stainless steel external gravity grille



Prestige Bathroom Exhaust Kit 1

Model	Code
ALVPKIT1	ALV1910

Frameless Grille
Gyprock set



Prestige Bathroom Exhaust Kit 2

Model	Code
ALVPKIT2	ALV1911

Framed Grille



Prestige Bathroom Exhaust Kit 3

Model	Code
ALVPKIT3	ALV1912

Round Frameless Grille
Gyprock set

OPTIMISING RANGEHOOD PERFORMANCE

Universal Rangehood Kit

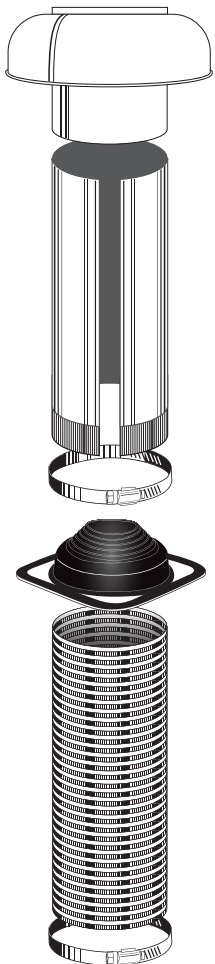
125/150MM

- Cleaner home environment
- Clean roof space
- Improves efficiency
- Reduces fire risks



Model	Code
ALVURK125MKIT	ALV9115
ALVURK125TKIT	ALV9117
ALVURK150MKIT	ALV9116
ALVURK150TKIT	ALV9118

Rangehood Components



Roof Mushroom Cowl
Superior weather protection

Brace Strap
In-roof support for solid duct

Clip Seam Solid Duct
150mm x 610mm

Metal Worm Drive Clamp
Secures duct fitting

Metal Roof Flashing
Roof weather protection

Semi-Rigid Aluminium Duct
150mm x 3m

Metal Worm Drive Clamp
Secures duct fitting

Alternate Venting Options



Wall
GRAVITY VENT



Eave
GRILLE VENT



Accessories and Essentials

Prestige Grille Range

Frameless Square Ceiling Grille	46
Frameless Round Ceiling Grille	47
Slim Square Ceiling Grille	48

Grilles and Accessories

Wall/Eave Stainless Steel Grilles	49
Internal Ceiling Grilles	50
Internal Wall/Ceiling Grilles: Plastic	51
External Wall Grilles: Plastic	51
External Wall Grilles: Aluminium	52
Ducting and Accessories	53
Dampers	55
Controllers	56
Variable Speed Drives (VSD)	57
Accessories	58
Flat Pack Ducting	59

PRESTIGE RANGE

Square Ceiling Grille

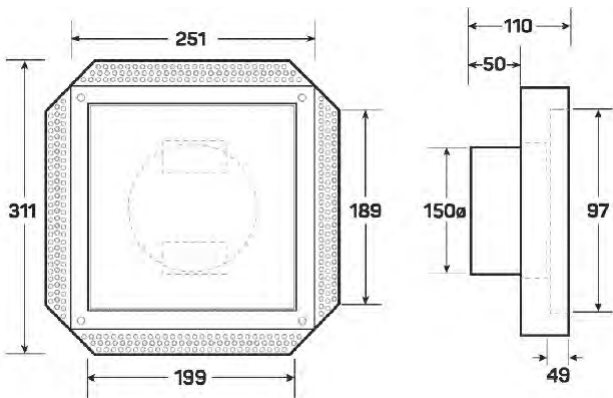
FRAMELESS AND FLUSH TO CEILING

Prestige appeal for the discerning architect, interior designer or home builder.



Model	Code
ALVFCG150	ALV810

Dimensions

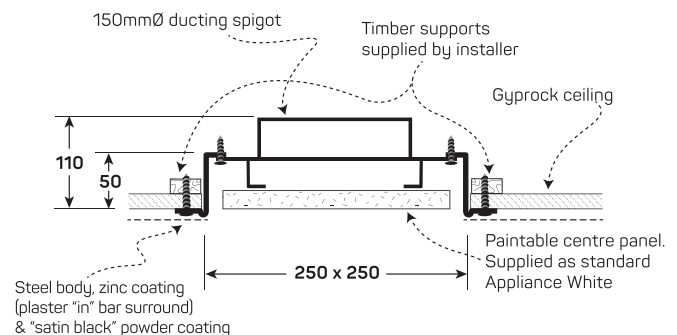


Features

The Allvent Frameless Square Ceiling Grille is set flush in the gyprock, creating a timeless and minimalistic look for your bathroom, laundry or anywhere that stylish venting may be required. The elegant grille design allows for ventilation to occur around the extremities of the centre panel, increasing efficiency and streamlining your ceiling space.

The Allvent Frameless Square Ceiling Grille (250mm x 250mm) has a white powder-coated metal centre panel that connects to a black powder-coated metal internal housing with a 150mm spigot. Once the grille is positioned, the centred spigot will hold the flexible duct in place and the centre panel will be level with the ceiling. Ideally, the centre panel can be painted the ceiling colour to further perfect the seamless appeal.

Installation Guide



PRESTIGE RANGE

Round Ceiling Grille

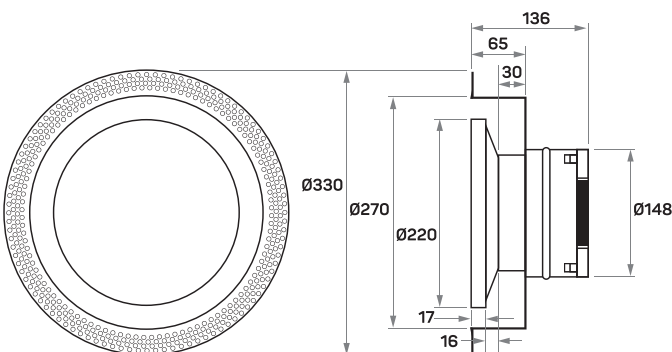
FRAMELESS AND FLUSH TO CEILING

Outlet vent for flush mounting to ceilings in bathrooms, laundries etc. Prestige appeal for the discerning architect or designer.



Model	Code
ALVRFCG150	ALV813

Dimensions



Features

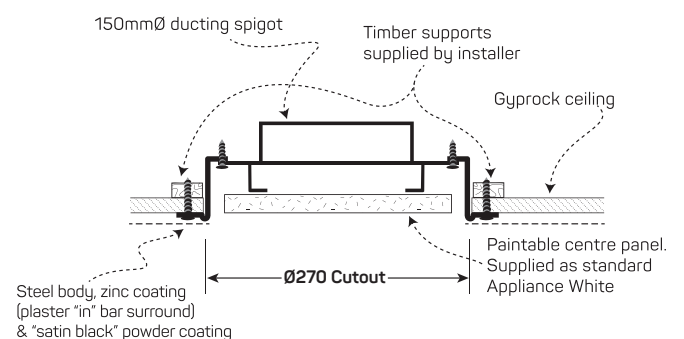
A minimalist grille showing only a circular negative detail ideal for a robust, elegant solution to fan covers in wet areas. The framework is square stopped into the ceiling/wall and central plaque fixings are not seen.

Once the unit is plastered in place the flexible duct is pulled down through the hidden frame and attached to the spigot at the back of the central plaque.

The white powder coated surface of the plaque (220mm) is level with the ceiling and can be lightly sanded and repainted to match the ceiling colour if required.



Installation Guide



PRESTIGE RANGE

Slim Square Ceiling Grille

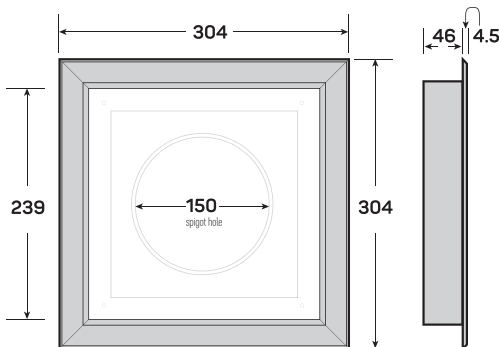
FRAMED AND FLUSH TO CEILING

Prestige appeal for the discerning architect, interior designer or home builder.



Model	Code
ALVSCG150	ALV811

Dimensions

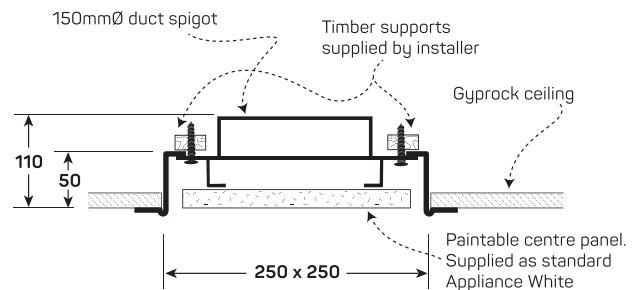


Features

The Allvent Slim Square Ceiling Grille creates a timeless and minimalistic look for your bathroom, laundry or anywhere that stylish venting may be required. The elegant grille design allows for ventilation to occur around the extremities of the centre panel, increasing efficiency and streamlining your ceiling space.

The Allvent Slim Square Ceiling Grille (250mm x 250mm) has a white powder-coated metal centre panel that connects to a black powder-coated metal internal housing with a 150mm spigot. Once the grille is positioned, the centred spigot will hold the flexible duct in place and the centre panel will be level with the ceiling. Ideally, the centre panel can be painted the ceiling colour to further perfect the seamless appeal.


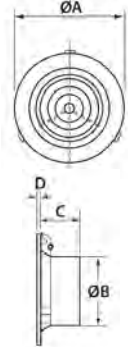

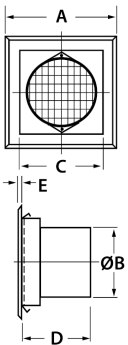

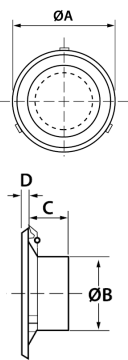

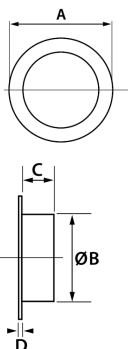

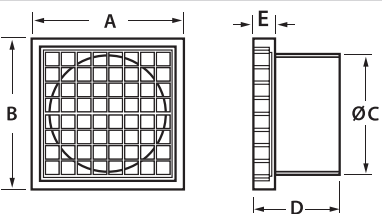
Installation Guide




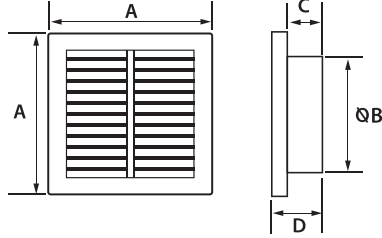

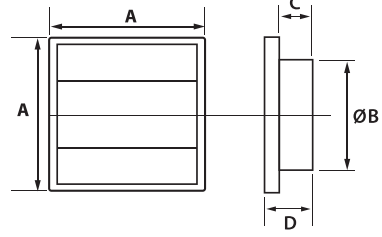

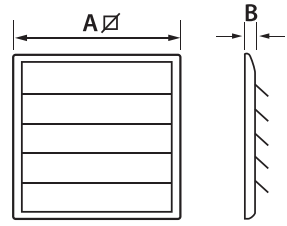

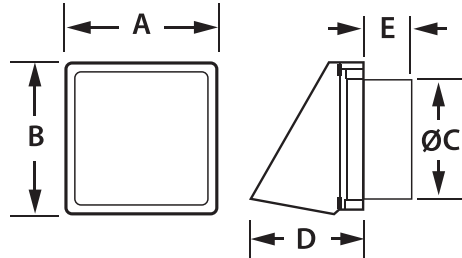
WALL/EAVE STAINLESS STEEL GRILLES – 304 GRADE

Model	Code	Technical Data																																							
 <p>BUSHFIRE COMPLIANT</p> <p>Dome Grille: DG Designed for exhaust ventilation where adverse weather conditions are experienced. Insect mesh included. Bushfire compliant BAL40. <i>Ember-proof mesh fitted in back</i></p>	ALV201 ALV202 ALV203																																								
		<table border="1"> <thead> <tr> <th>Model</th> <th>Code</th> <th>Duct Size</th> <th>A</th> <th>B</th> <th>C</th> <th>D</th> </tr> </thead> <tbody> <tr> <td>ALVDG100</td> <td>ALV201</td> <td>100</td> <td>150</td> <td>95</td> <td>45</td> <td>95</td> </tr> <tr> <td>ALVDG125</td> <td>ALV202</td> <td>125</td> <td>180</td> <td>120</td> <td>50</td> <td>110</td> </tr> <tr> <td>ALVDG150</td> <td>ALV203</td> <td>150</td> <td>205</td> <td>145</td> <td>50</td> <td>110</td> </tr> </tbody> </table>	Model	Code	Duct Size	A	B	C	D	ALVDG100	ALV201	100	150	95	45	95	ALVDG125	ALV202	125	180	120	50	110	ALVDG150	ALV203	150	205	145	50	110											
Model	Code	Duct Size	A	B	C	D																																			
ALVDG100	ALV201	100	150	95	45	95																																			
ALVDG125	ALV202	125	180	120	50	110																																			
ALVDG150	ALV203	150	205	145	50	110																																			
 <p>BUSHFIRE COMPLIANT</p> <p>Gravity Grille: GG The gravity louvered grille is designed to allow air to be vented to the atmosphere while protecting against backdraft and vermin entry. Requires a minimum 20Pa pressure to open (100mm). Bushfire compliant BAL40. <i>Ember-proof mesh fitted in back</i></p>	ALV204 ALV205 ALV206 ALV207																																								
		<table border="1"> <thead> <tr> <th>Model</th> <th>Code</th> <th>Duct Size</th> <th>A</th> <th>B</th> <th>C</th> <th>D</th> <th>E</th> </tr> </thead> <tbody> <tr> <td>ALVGG100</td> <td>ALV204</td> <td>100</td> <td>150</td> <td>150</td> <td>95</td> <td>50</td> <td>20</td> </tr> <tr> <td>ALVGG125</td> <td>ALV205</td> <td>125</td> <td>180</td> <td>180</td> <td>120</td> <td>50</td> <td>20</td> </tr> <tr> <td>ALVGG150</td> <td>ALV206</td> <td>150</td> <td>180</td> <td>180</td> <td>145</td> <td>60</td> <td>20</td> </tr> <tr> <td>ALVGG200</td> <td>ALV207</td> <td>200</td> <td>260</td> <td>260</td> <td>190</td> <td>65</td> <td>20</td> </tr> </tbody> </table>	Model	Code	Duct Size	A	B	C	D	E	ALVGG100	ALV204	100	150	150	95	50	20	ALVGG125	ALV205	125	180	180	120	50	20	ALVGG150	ALV206	150	180	180	145	60	20	ALVGG200	ALV207	200	260	260	190	65
Model	Code	Duct Size	A	B	C	D	E																																		
ALVGG100	ALV204	100	150	150	95	50	20																																		
ALVGG125	ALV205	125	180	180	120	50	20																																		
ALVGG150	ALV206	150	180	180	145	60	20																																		
ALVGG200	ALV207	200	260	260	190	65	20																																		
 <p>BUSHFIRE COMPLIANT</p> <p>Hood Grille: HG Designed for use where adverse weather conditions are experienced. Stainless Weatherproof cowl requires a minimum 10Pa pressure to open. Bushfire compliant BAL40. <i>Ember-proof mesh fitted in back</i></p>	ALV208 ALV209 ALV210																																								
		<table border="1"> <thead> <tr> <th>Model</th> <th>Code</th> <th>Duct Size</th> <th>A</th> <th>B</th> <th>C</th> <th>D</th> <th>E</th> </tr> </thead> <tbody> <tr> <td>ALVHG100</td> <td>ALV208</td> <td>100</td> <td>150</td> <td>150</td> <td>95</td> <td>75</td> <td>50</td> </tr> <tr> <td>ALVHG125</td> <td>ALV209</td> <td>125</td> <td>180</td> <td>180</td> <td>120</td> <td>91</td> <td>50</td> </tr> <tr> <td>ALVHG150</td> <td>ALV210</td> <td>150</td> <td>180</td> <td>180</td> <td>145</td> <td>91</td> <td>60</td> </tr> </tbody> </table>	Model	Code	Duct Size	A	B	C	D	E	ALVHG100	ALV208	100	150	150	95	75	50	ALVHG125	ALV209	125	180	180	120	91	50	ALVHG150	ALV210	150	180	180	145	91	60							
Model	Code	Duct Size	A	B	C	D	E																																		
ALVHG100	ALV208	100	150	150	95	75	50																																		
ALVHG125	ALV209	125	180	180	120	91	50																																		
ALVHG150	ALV210	150	180	180	145	91	60																																		
 <p>BUSHFIRE COMPLIANT</p> <p>Eave Grille: EG The round, flush eave grille is ideal for under-eave venting. Can be used as an inlet or outlet vent. Bushfire compliant BAL40. <i>Ember-proof mesh fitted in back</i></p>	ALV211 ALV212 ALV213 ALV214																																								
		<table border="1"> <thead> <tr> <th>Model</th> <th>Code</th> <th>Duct Size</th> <th>A</th> <th>B</th> <th>C</th> <th>D</th> </tr> </thead> <tbody> <tr> <td>ALVEG100</td> <td>ALV211</td> <td>100</td> <td>145</td> <td>95</td> <td>5</td> <td>50</td> </tr> <tr> <td>ALVEG125</td> <td>ALV212</td> <td>125</td> <td>180</td> <td>120</td> <td>5</td> <td>50</td> </tr> <tr> <td>ALVEG150</td> <td>ALV213</td> <td>150</td> <td>205</td> <td>145</td> <td>5</td> <td>65</td> </tr> <tr> <td>ALVEG200</td> <td>ALV214</td> <td>200</td> <td>265</td> <td>194</td> <td>5</td> <td>70</td> </tr> </tbody> </table>	Model	Code	Duct Size	A	B	C	D	ALVEG100	ALV211	100	145	95	5	50	ALVEG125	ALV212	125	180	120	5	50	ALVEG150	ALV213	150	205	145	5	65	ALVEG200	ALV214	200	265	194	5	70				
Model	Code	Duct Size	A	B	C	D																																			
ALVEG100	ALV211	100	145	95	5	50																																			
ALVEG125	ALV212	125	180	120	5	50																																			
ALVEG150	ALV213	150	205	145	5	65																																			
ALVEG200	ALV214	200	265	194	5	70																																			



INTERNAL CEILING GRILLES

Model	Code	Technical Data																																																															
 <p>Jet Centre Grille: Euro WR This range of downjet ceiling diffusers evenly disperses air to a chosen area. Simple to install, it comes with spring loaded attachment arms that lock and secure the vent in place.</p>	ALV216 ALV217 ALV218			<table border="1"> <thead> <tr> <th>Model</th> <th>Code</th> <th>Duct Size</th> <th>Cutout Size*</th> <th>A</th> <th>B</th> <th>C</th> <th>D</th> </tr> </thead> <tbody> <tr> <td>ALVEURO 6WR</td> <td>ALV216</td> <td>150</td> <td>210</td> <td>235</td> <td>148</td> <td>95</td> <td>5</td> </tr> <tr> <td>ALVEURO 8WR</td> <td>ALV217</td> <td>200</td> <td>265</td> <td>255</td> <td>198</td> <td>105</td> <td>5</td> </tr> <tr> <td>ALVEURO 10WR</td> <td>ALV218</td> <td>250</td> <td>315</td> <td>330</td> <td>248</td> <td>120</td> <td>5</td> </tr> </tbody> </table>	Model	Code	Duct Size	Cutout Size*	A	B	C	D	ALVEURO 6WR	ALV216	150	210	235	148	95	5	ALVEURO 8WR	ALV217	200	265	255	198	105	5	ALVEURO 10WR	ALV218	250	315	330	248	120	5																													
	Model	Code	Duct Size	Cutout Size*	A	B	C	D																																																									
ALVEURO 6WR	ALV216	150	210	235	148	95	5																																																										
ALVEURO 8WR	ALV217	200	265	255	198	105	5																																																										
ALVEURO 10WR	ALV218	250	315	330	248	120	5																																																										
				*Subject to stock variation																																																													
 <p>Egg Crate Grille: ERG The square-faced egg crate grille is commonly used for air intake. Metal construction.</p>	ALV219 ALV220 ALV221			<table border="1"> <thead> <tr> <th>Model</th> <th>Code</th> <th>Duct Size</th> <th>A</th> <th>B</th> <th>C</th> <th>D</th> <th>E</th> </tr> </thead> <tbody> <tr> <td>ALVERG666</td> <td>ALV219</td> <td>135</td> <td>200</td> <td>135</td> <td>155</td> <td>120</td> <td>5</td> </tr> <tr> <td>ALVERG886</td> <td>ALV220</td> <td>150</td> <td>250</td> <td>148</td> <td>210</td> <td>125</td> <td>5</td> </tr> <tr> <td>ALVERG888</td> <td>ALV221</td> <td>200</td> <td>250</td> <td>198</td> <td>210</td> <td>125</td> <td>5</td> </tr> <tr> <td>ALVERG121210</td> <td>ALV393</td> <td>250</td> <td>343</td> <td>248</td> <td>295</td> <td>125</td> <td>5</td> </tr> <tr> <td>ALVERG121212</td> <td>ALV395</td> <td>300</td> <td>343</td> <td>298</td> <td>295</td> <td>125</td> <td>5</td> </tr> </tbody> </table>	Model	Code	Duct Size	A	B	C	D	E	ALVERG666	ALV219	135	200	135	155	120	5	ALVERG886	ALV220	150	250	148	210	125	5	ALVERG888	ALV221	200	250	198	210	125	5	ALVERG121210	ALV393	250	343	248	295	125	5	ALVERG121212	ALV395	300	343	298	295	125	5													
	Model	Code	Duct Size	A	B	C	D	E																																																									
ALVERG666	ALV219	135	200	135	155	120	5																																																										
ALVERG886	ALV220	150	250	148	210	125	5																																																										
ALVERG888	ALV221	200	250	198	210	125	5																																																										
ALVERG121210	ALV393	250	343	248	295	125	5																																																										
ALVERG121212	ALV395	300	343	298	295	125	5																																																										
				*Subject to stock variation																																																													
 <p>Cone Grille: Euro WRC Commonly used for air intake, the design of these ceiling diffusers accept air from surrounding surfaces and not directly below. Ideal for heat, smoke and vapour extraction/transfer. Simple airflow control – screw the inverted cone centre.</p>	ALV222 ALV384 ALV223 ALV224 ALV225 ALV226			<table border="1"> <thead> <tr> <th>Model</th> <th>Code</th> <th>Duct Size</th> <th>Cutout size*</th> <th>A</th> <th>B</th> <th>C</th> <th>D</th> </tr> </thead> <tbody> <tr> <td>ALVEURO 4WRC</td> <td>ALV222</td> <td>100</td> <td>100</td> <td>147</td> <td>98</td> <td>57</td> <td>17</td> </tr> <tr> <td>ALVEURO 5WRC</td> <td>ALV384</td> <td>125</td> <td>185</td> <td>222</td> <td>125</td> <td>90</td> <td>15</td> </tr> <tr> <td>ALVEURO 6WRC</td> <td>ALV223</td> <td>150</td> <td>230</td> <td>265</td> <td>147</td> <td>90</td> <td>15</td> </tr> <tr> <td>ALVEURO 8WRC</td> <td>ALV224</td> <td>200</td> <td>285</td> <td>320</td> <td>198</td> <td>90</td> <td>15</td> </tr> <tr> <td>ALVEURO 10WRC</td> <td>ALV225</td> <td>250</td> <td>355</td> <td>400</td> <td>247</td> <td>100</td> <td>15</td> </tr> <tr> <td>ALVEURO 12WRC</td> <td>ALV226</td> <td>300</td> <td>400</td> <td>440</td> <td>298</td> <td>100</td> <td>20</td> </tr> </tbody> </table>	Model	Code	Duct Size	Cutout size*	A	B	C	D	ALVEURO 4WRC	ALV222	100	100	147	98	57	17	ALVEURO 5WRC	ALV384	125	185	222	125	90	15	ALVEURO 6WRC	ALV223	150	230	265	147	90	15	ALVEURO 8WRC	ALV224	200	285	320	198	90	15	ALVEURO 10WRC	ALV225	250	355	400	247	100	15	ALVEURO 12WRC	ALV226	300	400	440	298	100	20					
	Model	Code	Duct Size	Cutout size*	A	B	C	D																																																									
ALVEURO 4WRC	ALV222	100	100	147	98	57	17																																																										
ALVEURO 5WRC	ALV384	125	185	222	125	90	15																																																										
ALVEURO 6WRC	ALV223	150	230	265	147	90	15																																																										
ALVEURO 8WRC	ALV224	200	285	320	198	90	15																																																										
ALVEURO 10WRC	ALV225	250	355	400	247	100	15																																																										
ALVEURO 12WRC	ALV226	300	400	440	298	100	20																																																										
				*Subject to stock variation																																																													
 <p>Stainless Steel Cone Grille: CG Commonly used for air intake, the design of these ceiling diffusers accept air from surrounding surfaces and not directly below. Ideal for heat, smoke and vapour extraction/transfer. Simple airflow control – screw the inverted cone centre.</p>	ALV227 ALV228 ALV229 ALV230			<table border="1"> <thead> <tr> <th>Model</th> <th>Code</th> <th>Duct Size</th> <th>Cutout size*</th> <th>A</th> <th>B</th> <th>C</th> <th>D</th> </tr> </thead> <tbody> <tr> <td>ALVCG100</td> <td>ALV227</td> <td>100</td> <td>97</td> <td>140</td> <td>98</td> <td>45</td> <td>9</td> </tr> <tr> <td>ALVCG125</td> <td>ALV228</td> <td>125</td> <td>118</td> <td>175</td> <td>123</td> <td>45</td> <td>12</td> </tr> <tr> <td>ALVCG150</td> <td>ALV229</td> <td>150</td> <td>145</td> <td>220</td> <td>148</td> <td>60</td> <td>20</td> </tr> <tr> <td>ALVCG200</td> <td>ALV230</td> <td>200</td> <td>194</td> <td>275</td> <td>198</td> <td>65</td> <td>20</td> </tr> </tbody> </table>	Model	Code	Duct Size	Cutout size*	A	B	C	D	ALVCG100	ALV227	100	97	140	98	45	9	ALVCG125	ALV228	125	118	175	123	45	12	ALVCG150	ALV229	150	145	220	148	60	20	ALVCG200	ALV230	200	194	275	198	65	20																					
	Model	Code	Duct Size	Cutout size*	A	B	C	D																																																									
ALVCG100	ALV227	100	97	140	98	45	9																																																										
ALVCG125	ALV228	125	118	175	123	45	12																																																										
ALVCG150	ALV229	150	145	220	148	60	20																																																										
ALVCG200	ALV230	200	194	275	198	65	20																																																										
				*Subject to stock variation																																																													
 <p>Plastic Eggcrate Grille: PEG The eggcrate grille may be used as an outlet or a fresh air intake vent. Used as a wall or ceiling vent. <i>PEG comes with screws and wall plugs</i></p>	ALV238 ALV239 ALV240			<table border="1"> <thead> <tr> <th>Model</th> <th>Code</th> <th>Duct Size</th> <th>A</th> <th>B</th> <th>C</th> <th>D</th> <th>E</th> </tr> </thead> <tbody> <tr> <td>ALVEURO 4PEG</td> <td>ALV238</td> <td>100</td> <td>125</td> <td>125</td> <td>98</td> <td>71</td> <td>17</td> </tr> <tr> <td>ALVEURO 5PEG</td> <td>ALV239</td> <td>125</td> <td>150</td> <td>150</td> <td>123</td> <td>71</td> <td>17</td> </tr> <tr> <td>ALVEURO 6PEG</td> <td>ALV240</td> <td>150</td> <td>175</td> <td>175</td> <td>148</td> <td>71</td> <td>17</td> </tr> </tbody> </table>	Model	Code	Duct Size	A	B	C	D	E	ALVEURO 4PEG	ALV238	100	125	125	98	71	17	ALVEURO 5PEG	ALV239	125	150	150	123	71	17	ALVEURO 6PEG	ALV240	150	175	175	148	71	17																													
	Model	Code	Duct Size	A	B	C	D	E																																																									
ALVEURO 4PEG	ALV238	100	125	125	98	71	17																																																										
ALVEURO 5PEG	ALV239	125	150	150	123	71	17																																																										
ALVEURO 6PEG	ALV240	150	175	175	148	71	17																																																										
				*Subject to stock variation																																																													


EXTERNAL WALL GRILLES: PLASTIC

Model	Code	Technical Data					
	ALV234						
	ALV235						
	ALV236						
	ALV237						
<p>Fixed Grille: Euro WG</p> <p>The fixed grille may be used as an outlet or a fresh air intake vent. Used as a wall, ceiling or under-eave vent.</p> <p><i>Euro WG comes with screws, wall plugs and insect mesh</i></p>							
	ALV231						
	ALV232						
	ALV233						
	ALV260						
<p>Gravity Grille: Euro WGS</p> <p>The gravity louvered vent is designed to allow air to be vented to the atmosphere while stopping outside air and pests entering the system when not in use.</p> <p><i>Euro WGS comes with screws and wall plugs</i></p>							
	ALV22332						
	ALV22333						
	ALV22334						
	ALV22335						
	ALV22336						
<p>Gravity Shutter: GGR</p> <p>For preventing air backdraught or rain penetration when the unit is turned off.</p>							
	ALV262						
	ALV263						
	ALV264						
<p>Plastic Hood Grille: PHG</p> <p>Designed for hood exhaust ventilation. Includes backdraft damper.</p>							




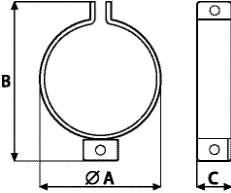





WALL GRILLES: ALUMINIUM

Model	Code	Technical Data																																																											
 <p>Weather Proof Grille: WPL Aluminium louvered grille for external weather proof applications. <i>WPL comes complete with wire mesh</i></p>	ALV241	<table border="1"> <thead> <tr> <th>Model</th> <th>Code</th> <th>Duct Size</th> <th>Face Size</th> <th>Neck Size</th> </tr> </thead> <tbody> <tr> <td>ALVWPL225x175</td> <td>ALV241</td> <td>150mm</td> <td>280x212mm</td> <td>225x175mm</td> </tr> <tr> <td>ALVWPL15</td> <td>ALV242</td> <td>150mm</td> <td>200x200mm</td> <td>145x145mm</td> </tr> <tr> <td>ALVWPL20</td> <td>ALV243</td> <td>200mm</td> <td>250x250mm</td> <td>195x195mm</td> </tr> <tr> <td>ALVWPL25</td> <td>ALV244</td> <td>250mm</td> <td>300x300mm</td> <td>245x245mm</td> </tr> <tr> <td>ALVWPL30</td> <td>ALV245</td> <td>300mm</td> <td>350x350mm</td> <td>295x295mm</td> </tr> <tr> <td>ALVWPL35</td> <td>ALV398</td> <td>350mm</td> <td>400x400mm</td> <td>345x345mm</td> </tr> <tr> <td>ALVWPL40</td> <td>ALV399</td> <td>400mm</td> <td>450x450mm</td> <td>395x395mm</td> </tr> <tr> <td>ALVWPL45</td> <td>ALV400</td> <td>450mm</td> <td>500x500mm</td> <td>445x445mm</td> </tr> <tr> <td>ALVWPL50</td> <td>ALV1519</td> <td>500mm</td> <td>550x550mm</td> <td>495x495mm</td> </tr> </tbody> </table>	Model	Code	Duct Size	Face Size	Neck Size	ALVWPL225x175	ALV241	150mm	280x212mm	225x175mm	ALVWPL15	ALV242	150mm	200x200mm	145x145mm	ALVWPL20	ALV243	200mm	250x250mm	195x195mm	ALVWPL25	ALV244	250mm	300x300mm	245x245mm	ALVWPL30	ALV245	300mm	350x350mm	295x295mm	ALVWPL35	ALV398	350mm	400x400mm	345x345mm	ALVWPL40	ALV399	400mm	450x450mm	395x395mm	ALVWPL45	ALV400	450mm	500x500mm	445x445mm	ALVWPL50	ALV1519	500mm	550x550mm	495x495mm	ALV242								
	Model		Code	Duct Size	Face Size	Neck Size																																																							
	ALVWPL225x175		ALV241	150mm	280x212mm	225x175mm																																																							
	ALVWPL15		ALV242	150mm	200x200mm	145x145mm																																																							
	ALVWPL20		ALV243	200mm	250x250mm	195x195mm																																																							
	ALVWPL25		ALV244	250mm	300x300mm	245x245mm																																																							
	ALVWPL30		ALV245	300mm	350x350mm	295x295mm																																																							
	ALVWPL35		ALV398	350mm	400x400mm	345x345mm																																																							
	ALVWPL40		ALV399	400mm	450x450mm	395x395mm																																																							
	ALVWPL45		ALV400	450mm	500x500mm	445x445mm																																																							
ALVWPL50	ALV1519	500mm	550x550mm	495x495mm																																																									
ALV243																																																													
ALV244																																																													
ALV245																																																													
ALV398																																																													
ALV399																																																													
ALV400																																																													
ALV1519																																																													
<i>Grilles are natural anodised as standard. Other sizes available on request.</i>																																																													
 <p>WPL Box Adapter Simply snap into WPL box.</p>	ALV2550	<table border="1"> <thead> <tr> <th>Model</th> <th>Code</th> <th>Suit this Grille</th> <th>Duct Size</th> <th>Size</th> </tr> </thead> <tbody> <tr> <td>ALVBOX974</td> <td>ALV2550</td> <td>ALVWPL225X175</td> <td>100mm</td> <td>225x175mm</td> </tr> <tr> <td>ALVBOX975</td> <td>ALV257</td> <td>ALVWPL225X175</td> <td>125mm</td> <td>225x175mm</td> </tr> <tr> <td>ALVBOX976</td> <td>ALV258</td> <td>ALVWPL225X175</td> <td>150mm</td> <td>225x175mm</td> </tr> </tbody> </table>	Model	Code	Suit this Grille	Duct Size	Size	ALVBOX974	ALV2550	ALVWPL225X175	100mm	225x175mm	ALVBOX975	ALV257	ALVWPL225X175	125mm	225x175mm	ALVBOX976	ALV258	ALVWPL225X175	150mm	225x175mm																																							
	Model		Code	Suit this Grille	Duct Size	Size																																																							
	ALVBOX974		ALV2550	ALVWPL225X175	100mm	225x175mm																																																							
	ALVBOX975		ALV257	ALVWPL225X175	125mm	225x175mm																																																							
ALVBOX976	ALV258	ALVWPL225X175	150mm	225x175mm																																																									
ALV257																																																													
ALV258																																																													
<i>Other sizes available on request</i>																																																													
 <p>Circular Grille: RWL Aluminium, powder-coated grille for external, weather-proof applications.</p>	ALV246	<table border="1"> <thead> <tr> <th>Model</th> <th>Code</th> <th>Duct Size</th> <th>Face Size Ø</th> <th>Neck Size Ø</th> </tr> </thead> <tbody> <tr> <td>ALVRWL150</td> <td>ALV246</td> <td>150mm</td> <td>200</td> <td>140</td> </tr> <tr> <td>ALVRWL200</td> <td>ALV247</td> <td>190mm</td> <td>219</td> <td>196</td> </tr> <tr> <td>ALVRWL250</td> <td>ALV248</td> <td>240mm</td> <td>307</td> <td>242</td> </tr> <tr> <td>ALVRWL300</td> <td>ALV249</td> <td>290mm</td> <td>348</td> <td>290</td> </tr> <tr> <td>ALVRWL350</td> <td>ALV250</td> <td>350mm</td> <td>405</td> <td>345</td> </tr> <tr> <td>ALVRWL400</td> <td>ALV251</td> <td>400mm</td> <td>455</td> <td>390</td> </tr> </tbody> </table>	Model	Code	Duct Size	Face Size Ø	Neck Size Ø	ALVRWL150	ALV246	150mm	200	140	ALVRWL200	ALV247	190mm	219	196	ALVRWL250	ALV248	240mm	307	242	ALVRWL300	ALV249	290mm	348	290	ALVRWL350	ALV250	350mm	405	345	ALVRWL400	ALV251	400mm	455	390																								
	Model		Code	Duct Size	Face Size Ø	Neck Size Ø																																																							
	ALVRWL150		ALV246	150mm	200	140																																																							
	ALVRWL200		ALV247	190mm	219	196																																																							
	ALVRWL250		ALV248	240mm	307	242																																																							
	ALVRWL300		ALV249	290mm	348	290																																																							
	ALVRWL350		ALV250	350mm	405	345																																																							
ALVRWL400	ALV251	400mm	455	390																																																									
ALV247																																																													
ALV248																																																													
ALV249																																																													
ALV250																																																													
ALV251																																																													
<i>Other sizes available on request</i>																																																													
 <p>Door Grille: ALVDG For air relief, single set of fixed blades. Easy snap together installation - no drilling required. High quality extruded aluminium sections, blades are fixed at 22mm centres. Suitable for door thicknesses of 30–45mm. Comes complete with telescopic back frame for aesthetic appearance on both sides of the door.</p>	ALV300	<table border="1"> <thead> <tr> <th>Model</th> <th>Code</th> <th>Face Size (LxW)</th> <th>Neck Size (LxW)</th> </tr> </thead> <tbody> <tr> <td>ALVDG126</td> <td>ALV300</td> <td>175x325mm</td> <td>150x300mm</td> </tr> <tr> <td>ALVDG186</td> <td>ALV341</td> <td>175x475mm</td> <td>150x450mm</td> </tr> <tr> <td>ALVDG244</td> <td>ALV348</td> <td>125x625mm</td> <td>100x600mm</td> </tr> <tr> <td>ALVDG246</td> <td>ALV359</td> <td>175x625mm</td> <td>150x600mm</td> </tr> <tr> <td>ALVDG248</td> <td>ALV284</td> <td>225x625mm</td> <td>200x600mm</td> </tr> <tr> <td>ALVDG2410</td> <td>ALV285</td> <td>275x625mm</td> <td>250x600mm</td> </tr> <tr> <td>ALVDG1212</td> <td>ALV299</td> <td>325x325mm</td> <td>300x300mm</td> </tr> <tr> <td>ALVDG2012</td> <td>ALV342</td> <td>325x525mm</td> <td>300x500mm</td> </tr> <tr> <td>ALVDG2412</td> <td>ALV344</td> <td>325x625mm</td> <td>300x600mm</td> </tr> <tr> <td>ALVDG2416</td> <td>ALV345</td> <td>425x625mm</td> <td>400x600mm</td> </tr> <tr> <td>ALVDG1818</td> <td>ALV340</td> <td>475x475mm</td> <td>450x450mm</td> </tr> <tr> <td>ALVDG2418</td> <td>ALV346</td> <td>475x625mm</td> <td>450x600mm</td> </tr> <tr> <td>ALVDG2424</td> <td>ALV347</td> <td>625x625mm</td> <td>600x600mm</td> </tr> </tbody> </table>	Model	Code	Face Size (LxW)	Neck Size (LxW)	ALVDG126	ALV300	175x325mm	150x300mm	ALVDG186	ALV341	175x475mm	150x450mm	ALVDG244	ALV348	125x625mm	100x600mm	ALVDG246	ALV359	175x625mm	150x600mm	ALVDG248	ALV284	225x625mm	200x600mm	ALVDG2410	ALV285	275x625mm	250x600mm	ALVDG1212	ALV299	325x325mm	300x300mm	ALVDG2012	ALV342	325x525mm	300x500mm	ALVDG2412	ALV344	325x625mm	300x600mm	ALVDG2416	ALV345	425x625mm	400x600mm	ALVDG1818	ALV340	475x475mm	450x450mm	ALVDG2418	ALV346	475x625mm	450x600mm	ALVDG2424	ALV347	625x625mm	600x600mm			
	Model		Code	Face Size (LxW)	Neck Size (LxW)																																																								
	ALVDG126		ALV300	175x325mm	150x300mm																																																								
	ALVDG186		ALV341	175x475mm	150x450mm																																																								
	ALVDG244		ALV348	125x625mm	100x600mm																																																								
	ALVDG246		ALV359	175x625mm	150x600mm																																																								
	ALVDG248		ALV284	225x625mm	200x600mm																																																								
	ALVDG2410		ALV285	275x625mm	250x600mm																																																								
	ALVDG1212		ALV299	325x325mm	300x300mm																																																								
	ALVDG2012		ALV342	325x525mm	300x500mm																																																								
	ALVDG2412		ALV344	325x625mm	300x600mm																																																								
	ALVDG2416		ALV345	425x625mm	400x600mm																																																								
	ALVDG1818		ALV340	475x475mm	450x450mm																																																								
	ALVDG2418		ALV346	475x625mm	450x600mm																																																								
	ALVDG2424		ALV347	625x625mm	600x600mm																																																								
	ALV341																																																												
ALV348																																																													
ALV359																																																													
ALV284																																																													
ALV285																																																													
ALV299																																																													
ALV342																																																													
ALV344																																																													
ALV345																																																													
ALV340																																																													
ALV346																																																													
ALV347																																																													
<i>Other sizes available on request</i>																																																													

DUCTING AND DUCT ACCESSORIES

Model	Code	Technical Data																																								
 <p>Core Ducting Commercial ventilation ducting • Silver / Black • Fire Rated AS4254</p>	ALV401 ALV402 ALV403 ALV404 ALV405 ALV406 ALV407 ALV408 ALV409 ALV410 ALV411	<table border="1"> <thead> <tr> <th>Model</th> <th>Code</th> <th>Size</th> </tr> </thead> <tbody> <tr><td>ALVHF3100</td><td>ALV401</td><td>100mm/3m</td></tr> <tr><td>ALVHF3125</td><td>ALV402</td><td>125mm/3m</td></tr> <tr><td>ALVHF3150</td><td>ALV403</td><td>150mm/3m</td></tr> <tr><td>ALVHF3200</td><td>ALV404</td><td>200mm/3m</td></tr> <tr><td>ALVHF6100</td><td>ALV405</td><td>100mm/6m</td></tr> <tr><td>ALVHF6125</td><td>ALV406</td><td>125mm/6m</td></tr> <tr><td>ALVHF6150</td><td>ALV407</td><td>150mm/6m</td></tr> <tr><td>ALVHF6200</td><td>ALV408</td><td>200mm/6m</td></tr> <tr><td>ALVHF6250</td><td>ALV409</td><td>250mm/6m</td></tr> <tr><td>ALVHF6300</td><td>ALV410</td><td>300mm/6m</td></tr> <tr><td>ALVHF6350</td><td>ALV411</td><td>350mm/6m</td></tr> </tbody> </table>					Model	Code	Size	ALVHF3100	ALV401	100mm/3m	ALVHF3125	ALV402	125mm/3m	ALVHF3150	ALV403	150mm/3m	ALVHF3200	ALV404	200mm/3m	ALVHF6100	ALV405	100mm/6m	ALVHF6125	ALV406	125mm/6m	ALVHF6150	ALV407	150mm/6m	ALVHF6200	ALV408	200mm/6m	ALVHF6250	ALV409	250mm/6m	ALVHF6300	ALV410	300mm/6m	ALVHF6350	ALV411	350mm/6m
	Model	Code	Size																																							
	ALVHF3100	ALV401	100mm/3m																																							
	ALVHF3125	ALV402	125mm/3m																																							
	ALVHF3150	ALV403	150mm/3m																																							
	ALVHF3200	ALV404	200mm/3m																																							
	ALVHF6100	ALV405	100mm/6m																																							
	ALVHF6125	ALV406	125mm/6m																																							
	ALVHF6150	ALV407	150mm/6m																																							
	ALVHF6200	ALV408	200mm/6m																																							
	ALVHF6250	ALV409	250mm/6m																																							
	ALVHF6300	ALV410	300mm/6m																																							
	ALVHF6350	ALV411	350mm/6m																																							
 <p>Insulated Ducting General purpose ducting • Silver/Black + inner core • Fire Rated AS4254</p>	ALV412 ALV413 ALV414 ALV415 ALV416	<table border="1"> <thead> <tr> <th>Model</th> <th>Code</th> <th>Size</th> </tr> </thead> <tbody> <tr><td>ALVINS6150</td><td>ALV412</td><td>150mm/6m</td></tr> <tr><td>ALVINS6200</td><td>ALV413</td><td>200mm/6m</td></tr> <tr><td>ALVINS6250</td><td>ALV414</td><td>250mm/6m</td></tr> <tr><td>ALVINS6300</td><td>ALV415</td><td>300mm/6m</td></tr> <tr><td>ALVINS6350</td><td>ALV416</td><td>350mm/6m</td></tr> </tbody> </table>					Model	Code	Size	ALVINS6150	ALV412	150mm/6m	ALVINS6200	ALV413	200mm/6m	ALVINS6250	ALV414	250mm/6m	ALVINS6300	ALV415	300mm/6m	ALVINS6350	ALV416	350mm/6m																		
	Model	Code	Size																																							
	ALVINS6150	ALV412	150mm/6m																																							
	ALVINS6200	ALV413	200mm/6m																																							
	ALVINS6250	ALV414	250mm/6m																																							
ALVINS6300	ALV415	300mm/6m																																								
ALVINS6350	ALV416	350mm/6m																																								
 <p>Semi-rigid Ducting High temperature ducting • Fire Rated AS425 (-70° to 220°) • Rangehood Exhaust</p>	ALV428 ALV429 ALV430 ALV431	<table border="1"> <thead> <tr> <th>Model</th> <th>Code</th> <th>Size</th> </tr> </thead> <tbody> <tr><td>ALVSRF100</td><td>ALV428</td><td>100mm/3m</td></tr> <tr><td>ALVSRF125</td><td>ALV429</td><td>125mm/3m</td></tr> <tr><td>ALVSRF150</td><td>ALV430</td><td>150mm/3m</td></tr> <tr><td>ALVSRF200</td><td>ALV431</td><td>200mm/3m</td></tr> </tbody> </table>					Model	Code	Size	ALVSRF100	ALV428	100mm/3m	ALVSRF125	ALV429	125mm/3m	ALVSRF150	ALV430	150mm/3m	ALVSRF200	ALV431	200mm/3m																					
	Model	Code	Size																																							
	ALVSRF100	ALV428	100mm/3m																																							
	ALVSRF125	ALV429	125mm/3m																																							
ALVSRF150	ALV430	150mm/3m																																								
ALVSRF200	ALV431	200mm/3m																																								
 <p>Reducers • Poly/Metal fitting • Heavy duty • High density polyethylene • Positive lock duct tabs (poly)</p>	ALV301 ALV302 ALV303 ALV304 ALV305 ALV306	<table border="1"> <thead> <tr> <th>Model</th> <th>Code</th> <th>Size</th> <th>Length</th> <th>Material</th> </tr> </thead> <tbody> <tr><td>ALVRED10-12</td><td>ALV301</td><td>100-125mm</td><td>120mm</td><td>Metal</td></tr> <tr><td>ALVRED10-15</td><td>ALV302</td><td>100-150mm</td><td>270mm</td><td>Poly</td></tr> <tr><td>ALVRED12-15</td><td>ALV303</td><td>125-150mm</td><td>120mm</td><td>Metal</td></tr> <tr><td>ALVRED15-20</td><td>ALV304</td><td>150-200mm</td><td>300mm</td><td>Poly</td></tr> <tr><td>ALVRED20-25</td><td>ALV305</td><td>200-250mm</td><td>300mm</td><td>Poly</td></tr> <tr><td>ALVRED25-30</td><td>ALV306</td><td>250-300mm</td><td>300mm</td><td>Poly</td></tr> </tbody> </table>					Model	Code	Size	Length	Material	ALVRED10-12	ALV301	100-125mm	120mm	Metal	ALVRED10-15	ALV302	100-150mm	270mm	Poly	ALVRED12-15	ALV303	125-150mm	120mm	Metal	ALVRED15-20	ALV304	150-200mm	300mm	Poly	ALVRED20-25	ALV305	200-250mm	300mm	Poly	ALVRED25-30	ALV306	250-300mm	300mm	Poly	
	Model	Code	Size	Length	Material																																					
	ALVRED10-12	ALV301	100-125mm	120mm	Metal																																					
	ALVRED10-15	ALV302	100-150mm	270mm	Poly																																					
	ALVRED12-15	ALV303	125-150mm	120mm	Metal																																					
	ALVRED15-20	ALV304	150-200mm	300mm	Poly																																					
ALVRED20-25	ALV305	200-250mm	300mm	Poly																																						
ALVRED25-30	ALV306	250-300mm	300mm	Poly																																						
 <p>Y Fitting • Poly and metal fitting • UV stabilised • Robust • Smooth internal lines</p>	ALV307 ALV308 ALV309 ALV310 ALV311 ALV312	<table border="1"> <thead> <tr> <th>Model</th> <th>Code</th> <th>Size</th> <th>Material</th> </tr> </thead> <tbody> <tr><td>ALVY10</td><td>ALV307</td><td>100mm</td><td>Metal</td></tr> <tr><td>ALVY12</td><td>ALV308</td><td>125mm</td><td>Metal</td></tr> <tr><td>ALVY15</td><td>ALV309</td><td>150mm</td><td>Poly</td></tr> <tr><td>ALVY20</td><td>ALV310</td><td>200mm</td><td>Poly</td></tr> <tr><td>ALVY25</td><td>ALV311</td><td>250mm</td><td>Poly</td></tr> <tr><td>ALVY30</td><td>ALV312</td><td>300mm</td><td>Poly</td></tr> </tbody> </table>					Model	Code	Size	Material	ALVY10	ALV307	100mm	Metal	ALVY12	ALV308	125mm	Metal	ALVY15	ALV309	150mm	Poly	ALVY20	ALV310	200mm	Poly	ALVY25	ALV311	250mm	Poly	ALVY30	ALV312	300mm	Poly								
	Model	Code	Size	Material																																						
	ALVY10	ALV307	100mm	Metal																																						
	ALVY12	ALV308	125mm	Metal																																						
	ALVY15	ALV309	150mm	Poly																																						
	ALVY20	ALV310	200mm	Poly																																						
ALVY25	ALV311	250mm	Poly																																							
ALVY30	ALV312	300mm	Poly																																							
 <p>Double BTO • Poly fitting • UV stabilised • Robust • Smooth internal lines</p>	ALV313 ALV314 ALV315 ALV388	<p><i>MADE TO ORDER available</i></p> <table border="1"> <thead> <tr> <th>Model</th> <th>Code</th> <th>Description (mm)</th> </tr> </thead> <tbody> <tr><td>ALVDBTO6666</td><td>ALV388</td><td>150x150x150x150 4-way junction poly</td></tr> <tr><td>ALVDBTO8666</td><td>ALV313</td><td>200x150x150x150 4-way junction poly</td></tr> <tr><td>ALVDBTO10666</td><td>ALV331</td><td>250x150x150x150 4-way junction poly</td></tr> <tr><td>ALVDBTO10888</td><td>ALV314</td><td>250x200x200x200 4-way junction poly</td></tr> <tr><td>ALVDBTO12888</td><td>ALV4460</td><td>300x200x200x200 4-way junction poly</td></tr> </tbody> </table>					Model	Code	Description (mm)	ALVDBTO6666	ALV388	150x150x150x150 4-way junction poly	ALVDBTO8666	ALV313	200x150x150x150 4-way junction poly	ALVDBTO10666	ALV331	250x150x150x150 4-way junction poly	ALVDBTO10888	ALV314	250x200x200x200 4-way junction poly	ALVDBTO12888	ALV4460	300x200x200x200 4-way junction poly																		
	Model	Code	Description (mm)																																							
	ALVDBTO6666	ALV388	150x150x150x150 4-way junction poly																																							
	ALVDBTO8666	ALV313	200x150x150x150 4-way junction poly																																							
	ALVDBTO10666	ALV331	250x150x150x150 4-way junction poly																																							
ALVDBTO10888	ALV314	250x200x200x200 4-way junction poly																																								
ALVDBTO12888	ALV4460	300x200x200x200 4-way junction poly																																								


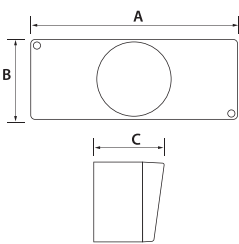

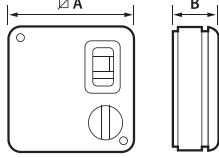




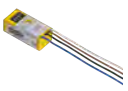



DUCT ACCESSORIES

Model	Description	Code	Technical Data				
	Reducer Y Fitting • Poly fitting • UV stabilised • Robust • Smooth internal lines	ALV315 ALV316 ALV317 ALV318					
			Model	Code	Size		
			ALVY644	ALV315	150x100x100mm		
			ALVY866	ALV316	200x150x150mm		
			ALVY1088	ALV317	250x200x200mm		
ALVY121010	ALV318	300x250x250mm					
	BTO • Poly fitting • UV stabilised • Robust • Smooth internal lines	ALV183 ALV1833 ALV566 ALV182 ALV5661					
			Model	Code	Size		
			ALVBTO666	ALV183	150x150x150mm		
			ALVBTO886	ALV1833	200x200x150mm		
			ALVBTO10106	ALV566	250x250x150mm		
			ALVBTO10108	ALV182	250x250x200mm		
ALVBTO12128	ALV5661	300x300x200mm					
	Fast Duct Clamps Galvanised sheet steel complete in pack of two.	ALV22667 ALV22668 ALV22669 ALV22671 ALV22672 ALV22673					
			Model	Code	A	B	C
			CA-FU100	ALV22667	103	138	30
			CA-FU125	ALV22668	128	163	30
			CA-FU150	ALV22669	153	188	30
			CA-FU200	ALV22671	203	238	30
			CA-FU250	ALV22672	253	288	30
			CA-FU315	ALV22673	318	353	30
							
				Start Collar Available in 6 sizes.	ALV325 ALV326 ALV327 ALV328 ALV329 ALV330		
Model	Code	Size				Plate Size	
ALVCON10	ALV325	100mm				150x150	
ALVCON12	ALV326	125mm				170x170	
ALVCON15	ALV327	150mm				195x195	
ALVCON20	ALV328	200mm				245x245	
ALVCON25	ALV329	250mm				295x295	
ALVCON30	ALV330	300mm				345x345	
	Duct Connector All sizes available.	ALV319 ALV320 ALV321 ALV322 ALV323 ALV324					
			Model	Code	Size	Length	
			ALVDJ10	ALV319	100mm	130mm	
			ALVDJ12	ALV320	125mm	130mm	
			ALVDJ15	ALV321	150mm	130mm	
			ALVDJ20	ALV322	200mm	130mm	
			ALVDJ25	ALV323	250mm	130mm	
ALVDJ30	ALV324	300mm	130mm				
	Duct Tape Available in Black & Silver	ALV181 ALV540					
	Foil Tape Aluminium reinforced 72mm x 50m	ALV180					
	Hanging Strap Available in Blue & Black 25mm x 50m	ALV184 ALV187					

DAMPERS

Model	Description	Code	Technical Data				
	Non-return Dampers Backdraft shutter, air-stream operated for installation in-line with circular ducting	ALV339 ALV356 ALV357 ALV358 ALV359 ALV360					
			Model	Code	Size	Length	
			ALVBD10	ALV339	100mm	110mm	
			ALVBD12	ALV356	125mm	110mm	
			ALVBD15	ALV357	150mm	110mm	
			ALVBD20	ALV358	200mm	110mm	
			ALVBD25	ALV359	250mm	110mm	
ALVBD30	ALV360	300mm	110mm				
	Intumescent Circular Fire Dampers Multi-purpose with zinc-coated steel finish	ALV501 ALV502 ALV503 ALV504 ALV505 ALV506	Intumescent Grilles/ Fire Dampers				
			<ul style="list-style-type: none"> • Rigid steel framed grille that intumesces to form a fire stop barrier • Allows air flow through fire-rated walls and floors • Can be fitted into a steel duct 				
			<ul style="list-style-type: none"> • Up to 2 hours fire protection • Continued savings as no moving parts to require operational checks • Large sizes 				
			Model	Code	Size	Length	
			ALVIFDR4	ALV501	100mm	360mm	
			ALVIFDR5	ALV502	125mm	360mm	
			ALVIFDR6	ALV503	150mm	360mm	
ALVIFDR8	ALV504	200mm	360mm				
ALVIFDR10	ALV505	250mm	360mm				
ALVIFDR12	ALV506	300mm	360mm				
	Intumescent Square* Fire Dampers Multi-purpose with zinc-coated steel finish. <i>* Rectangle Intumescent Fire Dampers also available</i>	ALV507 ALV508 ALV509 ALV510 ALV511 ALV512					
			Model	Code	Size		
			ALVIFDS66	ALV507	150mm Sq		
			ALVIFDS88	ALV508	200mm Sq		
			ALVIFDS1212	ALV509	300mm Sq		
			ALVIFDS1818	ALV510	450mm Sq		
			ALVIFDS2020	ALV511	500mm Sq		
ALVIFDS2424	ALV512	600mm Sq					
	Intumescent Ceiling Mounted Fire Dampers - Cushion Box style Fire and incipient rated ceilings. Fire resistance in accordance with AS1530.4 2014. 90 minutes fire resistance with 60 minutes resistance to the incipient spread of flame.	ALV5200 ALV5201 ALV5202 ALV5203					
			Model	Code	Size	Spigot Ø	Ceiling Grille to suit
			ALVC1-BOX150	ALV5200	150x150	125	ALVERG66-NN
			ALVC1-BOX200	ALV5201	200x200	150	ALVERG88-NN
			ALVC1-BOX250	ALV5202	250x250	200	ALVERG1010-NN
ALVC1-BOX300	ALV5203	300x300	250	ALVERG1212-NN			
	Intumescent Ceiling Mounted Fire Dampers - Straight neck adaptor Fire and incipient rated ceilings. Fire resistance in accordance with AS1530.4 2014. 90 minutes fire resistance with 60 minutes resistance to the incipient spread of flame.	ALV5206					
			Model	Code	Size	Spigot Ø	Optional Ceiling Grille
ALVC3-LVH44C-150	ALV5206	250x250	150	ALVEGCR6			

CONTROLLERS

Model	Description	Code	Technical Data																															
	Vortice Environmental Sensors Designed to detect environmental conditions ie: humidity, temperature, human motion, smoke and odour and automatically activate the extractor fans.	ALV12992 ALV12993 ALV12994 ALV12998 ALV12999		Model	Code	A	B	C																										
				C TEMP	ALV12992	144	54	55.8																										
				C SMOKE	ALV12993	144	54	55.8																										
				C HCS	ALV12994	144	54	55.8																										
				C PIR	ALV12998	144	54	55.8																										
C TIMER	ALV12999	144	54	55.8																														
				Vortice Range C TEMP measures ambient room temperature C SMOKE measures the air quality C HCS measures ambient relative humidity, 65% fixed, 3–20 mins. C PIR detects the presence of a moving body C TIMER - an adjustable over-run timer. Fully adjustable from 3–20 mins.																														
	Vortice Speed Controller Speed controller for all Vortice fan products. CREN for Vario range.	ALV12966 ALV12967 ALV12987 ALV12944		Model	Code	A	B																											
				C1.5	ALV12966	120	43																											
				C2.5	ALV12967	120	43																											
				C0.5	ALV12987	120	43																											
CREN	ALV12944	160x75	63																															
	Speed Controller Electronic speed controllers for stepless speed control of single phase fans. White polymer casing.	ALV0238 ALV0240	<table border="1"> <thead> <tr> <th>Model</th> <th>Code</th> <th>Current</th> <th>Dimensions</th> <th>Protection</th> </tr> </thead> <tbody> <tr> <td>ESA1</td> <td>ALV0238</td> <td>Min 0.15 amps</td> <td>W80 x H80 x D65</td> <td>IP40</td> </tr> <tr> <td>BSX</td> <td>ALV0240</td> <td>Min 0.15 amps</td> <td>W80 x H80 x D65</td> <td>IP40</td> </tr> </tbody> </table>					Model	Code	Current	Dimensions	Protection	ESA1	ALV0238	Min 0.15 amps	W80 x H80 x D65	IP40	BSX	ALV0240	Min 0.15 amps	W80 x H80 x D65	IP40												
			Model	Code	Current	Dimensions	Protection																											
ESA1	ALV0238	Min 0.15 amps	W80 x H80 x D65	IP40																														
BSX	ALV0240	Min 0.15 amps	W80 x H80 x D65	IP40																														
	Hygrostat Electromechanical humidity controller for on/off operation of fans.	ALV1360	<table border="1"> <thead> <tr> <th>Model</th> <th>Code</th> <th>V</th> <th>Current</th> <th>Timer</th> <th>Switching</th> <th>Dimensions</th> <th>Protection</th> </tr> </thead> <tbody> <tr> <td>HY 3 SI</td> <td>ALV1360</td> <td>230</td> <td>3 amps</td> <td>5 mins fixed</td> <td>30-90% adjustable</td> <td>W76 x H76 x D34</td> <td>IP20</td> </tr> </tbody> </table>					Model	Code	V	Current	Timer	Switching	Dimensions	Protection	HY 3 SI	ALV1360	230	3 amps	5 mins fixed	30-90% adjustable	W76 x H76 x D34	IP20											
			Model	Code	V	Current	Timer	Switching	Dimensions	Protection																								
HY 3 SI	ALV1360	230	3 amps	5 mins fixed	30-90% adjustable	W76 x H76 x D34	IP20																											
	Star Delta Switch DS2 On/off and reversing switch for two speed, three phase star/delta motors. Polymer casing for surface mounting. 5.5Kw.	ALV1351	<table border="1"> <thead> <tr> <th>Model</th> <th>Code</th> <th>V</th> <th>Current</th> <th>Dimensions</th> <th>Kg</th> <th>Protection</th> </tr> </thead> <tbody> <tr> <td>DS2</td> <td>ALV1351</td> <td>400V / 50Hz</td> <td>12 amps</td> <td>W82 x H82 x D130</td> <td>0.4</td> <td>IP54</td> </tr> </tbody> </table>					Model	Code	V	Current	Dimensions	Kg	Protection	DS2	ALV1351	400V / 50Hz	12 amps	W82 x H82 x D130	0.4	IP54													
			Model	Code	V	Current	Dimensions	Kg	Protection																									
DS2	ALV1351	400V / 50Hz	12 amps	W82 x H82 x D130	0.4	IP54																												
	Speed / Reverse DSEL2 On/off and reversing switch for two speed steps. Reverse switch for reversible fans.	ALV0239	<table border="1"> <thead> <tr> <th>Model</th> <th>Code</th> <th>Current</th> <th>Dimensions</th> <th>Protection</th> </tr> </thead> <tbody> <tr> <td>DSEL2</td> <td>ALV0239</td> <td>3 amps</td> <td>W80 x H80 x D15</td> <td>IP30</td> </tr> </tbody> </table>					Model	Code	Current	Dimensions	Protection	DSEL2	ALV0239	3 amps	W80 x H80 x D15	IP30																	
			Model	Code	Current	Dimensions	Protection																											
DSEL2	ALV0239	3 amps	W80 x H80 x D15	IP30																														
	Run on Timer ZNE run on timer with optional delayed start (45sec) with adjustable run times of 0-21 min		<table border="1"> <thead> <tr> <th>Model</th> <th>Code</th> <th>Current</th> <th>Dimensions</th> <th>Protection</th> </tr> </thead> <tbody> <tr> <td>ALVZNE</td> <td>ALV0342</td> <td>0.05-08</td> <td>W37 x H17 x D13</td> <td>IP40</td> </tr> </tbody> </table>					Model	Code	Current	Dimensions	Protection	ALVZNE	ALV0342	0.05-08	W37 x H17 x D13	IP40																	
			Model	Code	Current	Dimensions	Protection																											
ALVZNE	ALV0342	0.05-08	W37 x H17 x D13	IP40																														
	Temperature Control TA3 Robust electro/mechanic thermostat for temperature dependent on/off operation for fans and heaters.	ALV601	<table border="1"> <thead> <tr> <th>Model</th> <th>Code</th> <th>Current</th> <th>Protection</th> </tr> </thead> <tbody> <tr> <td>TA3</td> <td>ALV601</td> <td>16(2.5) A @250V</td> <td>IP20</td> </tr> </tbody> </table>					Model	Code	Current	Protection	TA3	ALV601	16(2.5) A @250V	IP20																			
			Model	Code	Current	Protection																												
TA3	ALV601	16(2.5) A @250V	IP20																															
	Pressure Switch Connect to Filter Box.	ALV9308	<table border="1"> <thead> <tr> <th>Model</th> <th>Code</th> <th>Current</th> <th>Pressure Range</th> <th>Working Temp (°C)</th> <th>Protection</th> </tr> </thead> <tbody> <tr> <td>930.8</td> <td>ALV9308</td> <td>1.5A (0.4A)</td> <td>20-200Pa</td> <td>-20 to +85</td> <td>IP54</td> </tr> </tbody> </table>					Model	Code	Current	Pressure Range	Working Temp (°C)	Protection	930.8	ALV9308	1.5A (0.4A)	20-200Pa	-20 to +85	IP54															
			Model	Code	Current	Pressure Range	Working Temp (°C)	Protection																										
930.8	ALV9308	1.5A (0.4A)	20-200Pa	-20 to +85	IP54																													
	Speed Controller	ALV606 ALV603 ALV604 ALV605 ALV607	<table border="1"> <thead> <tr> <th>Model</th> <th>Code</th> <th>W</th> <th>Max Amps</th> <th>V</th> </tr> </thead> <tbody> <tr> <td>ALVA500</td> <td>ALV606</td> <td>500</td> <td>2.0</td> <td rowspan="4">240</td> </tr> <tr> <td>ALVA700</td> <td>ALV603</td> <td>700</td> <td>2.9</td> </tr> <tr> <td>ALVA1200</td> <td>ALV604</td> <td>1200</td> <td>5.0</td> </tr> <tr> <td>ALVA2400</td> <td>ALV605</td> <td>2400</td> <td>10</td> </tr> <tr> <td>VA-10K-EC</td> <td>ALV607</td> <td>-</td> <td>-</td> <td>0-10</td> </tr> </tbody> </table>					Model	Code	W	Max Amps	V	ALVA500	ALV606	500	2.0	240	ALVA700	ALV603	700	2.9	ALVA1200	ALV604	1200	5.0	ALVA2400	ALV605	2400	10	VA-10K-EC	ALV607	-	-	0-10
			Model	Code	W	Max Amps	V																											
			ALVA500	ALV606	500	2.0	240																											
			ALVA700	ALV603	700	2.9																												
			ALVA1200	ALV604	1200	5.0																												
			ALVA2400	ALV605	2400	10																												
VA-10K-EC	ALV607	-	-	0-10																														



VARIABLE SPEED DRIVES

ABB ACH580-01 SERIES

ACH580 series sets new standards in simplicity and reliability and can be integrated with any motor.

Technical Data

Model	Code	kW	Current (A)	Frame Size
ACH580-01-02A7-4+B056	ALV155	0.75	2.6	R1
ACH580-01-03A4-4+B056	ALV158	1.1	3.3	R1
ACH580-01-04A1-4+B056	ALV162	1.5	4	R1
ACH580-01-05A7-4+B056	ALV163	2.2	5.6	R1
ACH580-01-07A3-4+B056	ALV165	3	7.2	R1
ACH580-01-09A5-4+B056	ALV166	4	9.4	R1
ACH580-01-12A7-4+B056	ALV167	5.5	12.6	R1
ACH580-01-018A-4+B056	ALV153	7.5	17	R2
ACH580-01-026A-4+B056	ALV154	11	25	R2
ACH580-01-033A-4+B056	ALV155	15	32	R3
ACH580-01-039A-4+B056	ALV157	18.5	38	R3
ACH580-01-046A-4+B056	ALV159	22	45	R3
ACH580-01-062A-4+B056	ALV164	30	62	R4
ACH580-01-073A-4+B056	ALV150	37	73	R4
ACH580-01-088A-4+B056	ALV151	45	88	R5

Features

- Compact robust and reliable design
- Adaptive programming
- EMC C2 filter
- Integrated safe torque off (STO) function
- Complete HVAC functionality
- Dry clean air-cooling method
- Scalar control for effortless process control
- Vector control for accurate speed and torque control
- I/O connections for flexible configurations
- Cabinet free installation
- Higher kW ranges available
- IP55 protection

Dimensions

Frame Size	H (mm)	W (mm)	D (mm)	Weight kg
R1	403	128	233	4.8
R2	503	128	239	6.8
R3	490	206	237	13
R4	636	203	265	20
R5	732	203	320	29

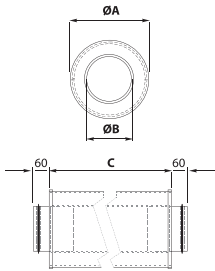


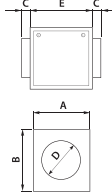

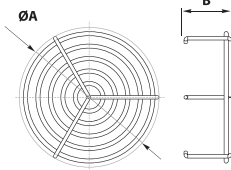



H = Height of the drive with gland box

W = Width

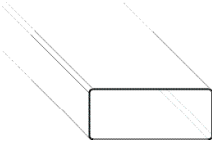
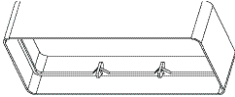
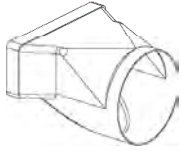


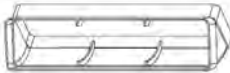

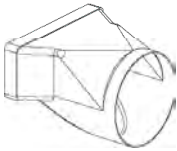

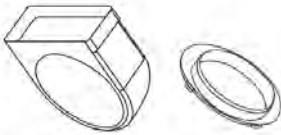

D = Standard depth

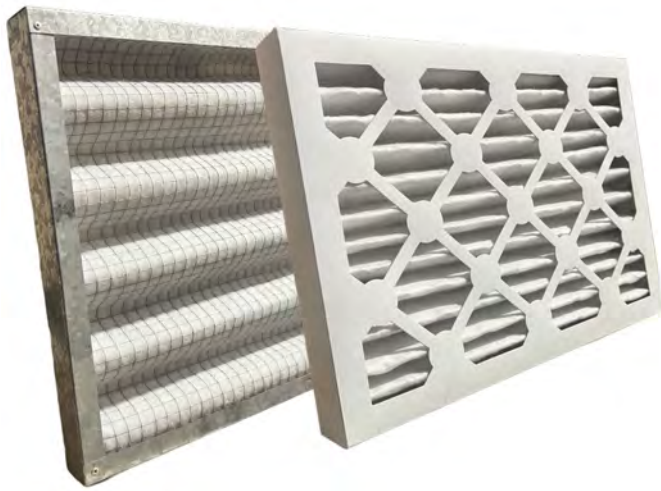


ACCESSORIES

Model	Description	Code	Technical Data																																																																						
	Noise Attenuator Install in ventilation system always after the fan and/or the filterbox/duct heater.	ALV132 ALV1524 ALV1513 ALV570		<table border="1"> <thead> <tr> <th>Model</th> <th>Code</th> <th>A</th> <th>B</th> <th>C</th> </tr> </thead> <tbody> <tr> <td>FSD160</td> <td>ALV132</td> <td>266</td> <td>150</td> <td>1000</td> </tr> <tr> <td>FSD200</td> <td>ALV1524</td> <td>316</td> <td>200</td> <td>1000</td> </tr> <tr> <td>FSD250</td> <td>ALV1513</td> <td>367</td> <td>250</td> <td>1000</td> </tr> <tr> <td>FSD315</td> <td>ALV570</td> <td>417</td> <td>315</td> <td>1000</td> </tr> </tbody> </table>	Model	Code	A	B	C	FSD160	ALV132	266	150	1000	FSD200	ALV1524	316	200	1000	FSD250	ALV1513	367	250	1000	FSD315	ALV570	417	315	1000																																												
				Model	Code	A	B	C																																																																	
FSD160	ALV132	266	150	1000																																																																					
FSD200	ALV1524	316	200	1000																																																																					
FSD250	ALV1513	367	250	1000																																																																					
FSD315	ALV570	417	315	1000																																																																					
	Duct Heater Install in ventilation system always after the fan and/or the noise attenuator/air filter.	ALV22796 ALV22797 ALV22759 ALV22790 ALV22791 ALV22792 ALV22779		<table border="1"> <thead> <tr> <th>Model</th> <th>Code</th> <th>A</th> <th>B</th> <th>C</th> <th>D</th> <th>E</th> <th>F</th> </tr> </thead> <tbody> <tr> <td>AH100</td> <td>ALV22796</td> <td>100</td> <td>185</td> <td>325</td> <td>100</td> <td>40</td> <td>230</td> </tr> <tr> <td>AH125</td> <td>ALV22797</td> <td>125</td> <td>225</td> <td>325</td> <td>125</td> <td>40</td> <td>230</td> </tr> <tr> <td>AH150</td> <td>ALV22759</td> <td>150</td> <td>250</td> <td>380</td> <td>150</td> <td>40</td> <td>285</td> </tr> <tr> <td>AH200</td> <td>ALV22790</td> <td>150</td> <td>300</td> <td>380</td> <td>200</td> <td>40</td> <td>285</td> </tr> <tr> <td>AH250</td> <td>ALV22791</td> <td>150</td> <td>350</td> <td>380</td> <td>250</td> <td>40</td> <td>285</td> </tr> <tr> <td>AH315</td> <td>ALV22792</td> <td>150</td> <td>415</td> <td>380</td> <td>315</td> <td>40</td> <td>245</td> </tr> <tr> <td>H3-315</td> <td>ALV22779</td> <td>150</td> <td>415</td> <td>380</td> <td>315</td> <td>40</td> <td>240</td> </tr> </tbody> </table>	Model	Code	A	B	C	D	E	F	AH100	ALV22796	100	185	325	100	40	230	AH125	ALV22797	125	225	325	125	40	230	AH150	ALV22759	150	250	380	150	40	285	AH200	ALV22790	150	300	380	200	40	285	AH250	ALV22791	150	350	380	250	40	285	AH315	ALV22792	150	415	380	315	40	245	H3-315	ALV22779	150	415	380	315	40	240					
				Model	Code	A	B	C	D	E	F																																																														
AH100	ALV22796	100	185	325	100	40	230																																																																		
AH125	ALV22797	125	225	325	125	40	230																																																																		
AH150	ALV22759	150	250	380	150	40	285																																																																		
AH200	ALV22790	150	300	380	200	40	285																																																																		
AH250	ALV22791	150	350	380	250	40	285																																																																		
AH315	ALV22792	150	415	380	315	40	245																																																																		
H3-315	ALV22779	150	415	380	315	40	240																																																																		
	Filter Box Install in ventilation system always after the fan and/or the noise attenuator/duct heater. Suitable to avoid impurities entering the ventilation system. Panel filter included.	ALV22793 ALV22794 ALV22799 ALV22787 ALV22788		<table border="1"> <thead> <tr> <th>Model</th> <th>Code</th> <th>A</th> <th>B</th> <th>C</th> <th>D</th> <th>E</th> </tr> </thead> <tbody> <tr> <td>ALVFB100</td> <td>ALV22793</td> <td>210</td> <td>170</td> <td>125</td> <td>100</td> <td>227</td> </tr> <tr> <td>ALVFB125</td> <td>ALV22794</td> <td>220</td> <td>205</td> <td>145</td> <td>125</td> <td>252</td> </tr> <tr> <td>ALVFB150</td> <td>ALV22799</td> <td>270</td> <td>235</td> <td>160</td> <td>150</td> <td>267</td> </tr> <tr> <td>ALVFB200</td> <td>ALV22787</td> <td>320</td> <td>275</td> <td>185</td> <td>200</td> <td>302</td> </tr> <tr> <td>ALVFB250</td> <td>ALV22788</td> <td>355</td> <td>320</td> <td>235</td> <td>250</td> <td>352</td> </tr> </tbody> </table>	Model	Code	A	B	C	D	E	ALVFB100	ALV22793	210	170	125	100	227	ALVFB125	ALV22794	220	205	145	125	252	ALVFB150	ALV22799	270	235	160	150	267	ALVFB200	ALV22787	320	275	185	200	302	ALVFB250	ALV22788	355	320	235	250	352																											
				Model	Code	A	B	C	D	E																																																															
ALVFB100	ALV22793	210	170	125	100	227																																																																			
ALVFB125	ALV22794	220	205	145	125	252																																																																			
ALVFB150	ALV22799	270	235	160	150	267																																																																			
ALVFB200	ALV22787	320	275	185	200	302																																																																			
ALVFB250	ALV22788	355	320	235	250	352																																																																			
	Lineo-G Protection Grille (Not suitable for Lineo Es) Mount directly on the product at outlet/inlet. Useful for safety and to protect product from external bodies. Steel, black epoxy powder coated for perfect weather protection.	ALV22701 ALV22702 ALV22703 ALV22704 ALV22705 ALV22706		<table border="1"> <thead> <tr> <th>Model</th> <th>Code</th> <th>A</th> <th>B</th> </tr> </thead> <tbody> <tr> <td>LINEO-G100</td> <td>ALV22701</td> <td>101</td> <td>29</td> </tr> <tr> <td>LINEO-G125</td> <td>ALV22702</td> <td>127</td> <td>29</td> </tr> <tr> <td>LINEO-G150</td> <td>ALV22703</td> <td>151</td> <td>35.5</td> </tr> <tr> <td>LINEO-G160</td> <td>ALV22704</td> <td>161</td> <td>34</td> </tr> <tr> <td>LINEO-G200</td> <td>ALV22705</td> <td>201</td> <td>42</td> </tr> <tr> <td>LINEO-G250</td> <td>ALV22706</td> <td>255</td> <td>50.5</td> </tr> </tbody> </table>	Model	Code	A	B	LINEO-G100	ALV22701	101	29	LINEO-G125	ALV22702	127	29	LINEO-G150	ALV22703	151	35.5	LINEO-G160	ALV22704	161	34	LINEO-G200	ALV22705	201	42	LINEO-G250	ALV22706	255	50.5																																									
				Model	Code	A	B																																																																		
LINEO-G100	ALV22701	101	29																																																																						
LINEO-G125	ALV22702	127	29																																																																						
LINEO-G150	ALV22703	151	35.5																																																																						
LINEO-G160	ALV22704	161	34																																																																						
LINEO-G200	ALV22705	201	42																																																																						
LINEO-G250	ALV22706	255	50.5																																																																						
	Automatic Air Inlet Trickle air vent for enclosed spaces	ALV91012		<table border="1"> <thead> <tr> <th>Model</th> <th>Code</th> <th>A</th> <th>B</th> <th>C</th> <th>D</th> </tr> </thead> <tbody> <tr> <td>Automatic Air Inlet 400</td> <td>ALV91012</td> <td>405</td> <td>18</td> <td>20</td> <td>12</td> </tr> </tbody> </table>	Model	Code	A	B	C	D	Automatic Air Inlet 400	ALV91012	405	18	20	12																																																									
				Model	Code	A	B	C	D																																																																
Automatic Air Inlet 400	ALV91012	405	18	20	12																																																																				
	Rubber Mounts Available in the following sizes: 17kg, 25kg, 40kg, 55kg & 80kg			<table border="1"> <thead> <tr> <th>Model</th> <th>Code</th> <th>Weight kg</th> </tr> </thead> <tbody> <tr> <td>RIS Blue</td> <td>ALV2400</td> <td>17</td> </tr> <tr> <td>RIS White</td> <td>ALV2401</td> <td>25</td> </tr> <tr> <td>RIS Red</td> <td>ALV2402</td> <td>40</td> </tr> <tr> <td>RIS Green</td> <td>ALV2403</td> <td>55</td> </tr> <tr> <td>RIS Yellow</td> <td>ALV2404</td> <td>80</td> </tr> </tbody> </table>	Model	Code	Weight kg	RIS Blue	ALV2400	17	RIS White	ALV2401	25	RIS Red	ALV2402	40	RIS Green	ALV2403	55	RIS Yellow	ALV2404	80																																																			
				Model	Code	Weight kg																																																																			
RIS Blue	ALV2400	17																																																																							
RIS White	ALV2401	25																																																																							
RIS Red	ALV2402	40																																																																							
RIS Green	ALV2403	55																																																																							
RIS Yellow	ALV2404	80																																																																							
	Spring Mounts Available in the following sizes: 10kg, 15kg, 30kg, 50kg, 75kg, 125kg & 200kg			<table border="1"> <thead> <tr> <th>Model</th> <th>Code</th> <th>Weight kg</th> </tr> </thead> <tbody> <tr> <td>Spring Yellow</td> <td>ALV2409</td> <td>10</td> </tr> <tr> <td>Spring Brown</td> <td>ALV2410</td> <td>15</td> </tr> <tr> <td>Spring Blue</td> <td>ALV2411</td> <td>30</td> </tr> <tr> <td>Spring Black</td> <td>ALV2412</td> <td>50</td> </tr> <tr> <td>Spring Red</td> <td>ALV2413</td> <td>75</td> </tr> <tr> <td>Spring Green</td> <td>ALV2414</td> <td>125</td> </tr> <tr> <td>Spring Orange</td> <td>ALV2415</td> <td>200</td> </tr> </tbody> </table>	Model	Code	Weight kg	Spring Yellow	ALV2409	10	Spring Brown	ALV2410	15	Spring Blue	ALV2411	30	Spring Black	ALV2412	50	Spring Red	ALV2413	75	Spring Green	ALV2414	125	Spring Orange	ALV2415	200																																													
				Model	Code	Weight kg																																																																			
Spring Yellow	ALV2409	10																																																																							
Spring Brown	ALV2410	15																																																																							
Spring Blue	ALV2411	30																																																																							
Spring Black	ALV2412	50																																																																							
Spring Red	ALV2413	75																																																																							
Spring Green	ALV2414	125																																																																							
Spring Orange	ALV2415	200																																																																							
	Spring Isolation Hanger Available in the following sizes: 15kg, 30kg, 50kg, 75kg, 125kg, 175kg & 200kg			<table border="1"> <thead> <tr> <th>Model</th> <th>Code</th> <th>Weight kg</th> </tr> </thead> <tbody> <tr> <td>Spring Hanger Brown</td> <td>ALV2420</td> <td>15</td> </tr> <tr> <td>Spring Hanger Blue</td> <td>ALV2421</td> <td>30</td> </tr> <tr> <td>Spring Hanger Black</td> <td>ALV2422</td> <td>50</td> </tr> <tr> <td>Spring Hanger Red</td> <td>ALV2423</td> <td>75</td> </tr> <tr> <td>Spring Hanger Green</td> <td>ALV2424</td> <td>125</td> </tr> <tr> <td>Spring Hanger Grey</td> <td>ALV2425</td> <td>175</td> </tr> <tr> <td>Spring Hanger Orange</td> <td>ALV2426</td> <td>200</td> </tr> </tbody> </table>	Model	Code	Weight kg	Spring Hanger Brown	ALV2420	15	Spring Hanger Blue	ALV2421	30	Spring Hanger Black	ALV2422	50	Spring Hanger Red	ALV2423	75	Spring Hanger Green	ALV2424	125	Spring Hanger Grey	ALV2425	175	Spring Hanger Orange	ALV2426	200																																													
				Model	Code	Weight kg																																																																			
Spring Hanger Brown	ALV2420	15																																																																							
Spring Hanger Blue	ALV2421	30																																																																							
Spring Hanger Black	ALV2422	50																																																																							
Spring Hanger Red	ALV2423	75																																																																							
Spring Hanger Green	ALV2424	125																																																																							
Spring Hanger Grey	ALV2425	175																																																																							
Spring Hanger Orange	ALV2426	200																																																																							

FLAT-PACK DUCTING (durable, lightweight, versatile)

Model	Description	Code
	Rectangular Duct 220mm x 90mm x 2m 300mm x 60mm x 2m 350mm x 75mm x 2m	RD220902 RD300602 RD350752
	Rectangular Duct Connector 220mm x 90mm 300mm x 60mm 350mm x 75mm	RDCON22090 RDCON30060 RDCON35075
	Rectangular to Round Fitting 220mm x 90mm Ø150 220mm x 90mm Ø200 300mm x 60mm Ø150 300mm x 60mm Ø200 350mm x 75mm Ø150 350mm x 75mm Ø200	RDRR22090-150 RDRR22090-200 RDRR30060-150 RDRR30060-200 RDRR35075-150 RDRR35075-200
	Rectangular Duct Horizontal – 45° bend 220mm x 90mm 300mm x 60mm 350mm x 75mm	RDH45B22090 RDH45B30060 RDH45B35075
	Rectangular Duct Horizontal – 90° bend 220mm x 90mm 300mm x 60mm 350mm x 75mm	RDH90B22090 RDH90B30060 RDH90B35075
	Rectangular Duct Vertical – 45° bend 220mm x 90mm 300mm x 60mm 350mm x 75mm	RDV45B22090 RDV45B30060 RDV45B35075
	Rectangular Duct Vertical – 90° bend 220mm x 90mm 300mm x 60mm 350mm x 75mm	RDV90B22090 RDV90B30060 RDV90B35075
	Rectangular to Oval Fitting 220mm x 90mm Ø150	RDRR22090-150 Oval
	T Piece Duct 220mm x 90mm 300mm x 60mm 350mm x 75mm	RDT22090 RDT30060 RDT35075
	Adjustable Rangehood Adaptors 220mm x 90mm Ø150 300mm x 60mm Ø150 350mm x 75mm Ø150	RDRHA22090-150 RDRHA30060-150 RDRHA35075-150
	Duct Clip 220mm x 90mm 300mm x 60mm 350mm x 75mm	RDCLIP22090 RDCLIP30060 RDCLIP35075



AIR FILTERS

FILTERS

MULTI GRADE FILTERS

High quality, multi grade filters available in various sizes to improve air quality. Designed to be inserted into a frame/ slide

Features

- Available in multiple grades from G4 upwards
- Standard and custom sizes available
- Widths include 8, 11, 25, 50 & 100mm

Available types

- Cardboard (CDF)
- Metal Washable Panel Filter (WPF)
- Metal Washable V Form (WVF)
- HEPA filters
- Bag filters

Technical Data

Model	Code	Nominal Size inches (W x H x D)	Actual Size mm (W x H x D)
CDF12/12/2	ALV2002	12x12x2	289 x 289 x 44
CDF12/20/2	ALV2003	12x20x2	289 x 492 x 44
CDF12/24/2	ALV2004	12x24x2	289 x 594 x 44
CDF16/16/2	ALV2009	16x16x2	390 x 390 x 44
CDF16/24/2	ALV2012	16x24x2	390 x 594 x 44
CDF18/18/2	ALV2031	18x18x2	441 x 441 x 44
CDF18/24/2	ALV2017	18x24x2	441 x 594 x 44
CDF20/20/2	ALV2020	20x20x2	492 x 492 x 44
CDF24/24/2	ALV2026	24x24x2	594 x 594 x 44
CDF25/25/2	ALV2028	25x25x2	619 x 619 x 44

Other standard and custom sizes available



Car Park Ventilation

Car Park Ventilation - Jet Fan Range

Simple 3 Step Process	62
Planning Concepts	63
CFD Analysis	64
Engineering	65
IVRD Series	66
EC Jet Series	67
IVR-EC Jet Series	68
Jet Fan Accessories	69

AXIAL and CENTRIFUGAL JET FANS

Car Park Jet Fans

IVRD / EC Jet / IVRW EC / IVRD EC



Why ventilate with jet fans?

Jet fan ventilation (also known as impulsion or induction ventilation) uses non-ducted axial or radial fans to move vast amounts of air at low speed through generated air streams, supplying fresh air from outside whilst extracting pollutants from the inside. Jet fans are placed near the car park's ceiling similar to ventilation systems in road tunnels.

Jet fan ventilation technology is now the standard in car park ventilation in many countries across the world. Its' concept is based on air streams generated by any number of virtually silent, free-blowing axial or radial fans efficiently moving air from the supply to the exhaust points on each car park level.

The jet fan ventilation system is regulated by sensors that monitor the CO levels on specific car park levels. These sensors can activate the appropriate number of fans needed to meet specific ventilation requirements and choose the relevant speed of the fans to maintain reduced sound emissions.



Our simple 3 step process.

1. Planning Concepts

Design considerations by assessing car park specifications, ventilation requirements and jet fan dynamics.

2. Computational Fluid Dynamics

Actually see how your car park ventilation will perform before installation has even begun.

3. Engineering

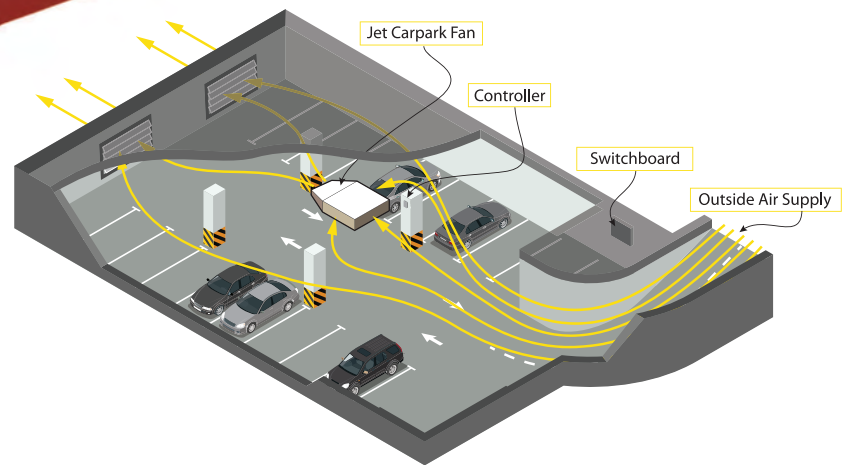
Designing the system layout for the welfare and well-being of all users, maintenance workers and emergency services.

Planning Concepts

Design considerations



Whether small or large, Jet Fan ventilation systems can be tailored to your car park needs.



Reduced consumptions means low operating costs

To keep car park pollutant measures continually monitored and regulated through mechanical ventilation systems leads to high management costs. The consequences of ducted ventilation systems that require high air speed are load losses in the ducts and high energy consumption.

A jet fan ventilation system utilises the car park architecture to help the transfer of polluted air to the outside. This is why jet fans can be operated at lower speeds, ensuring significant energy savings.

Construction cost savings and efficient use of the car park space

Induction jet fan ventilation systems do not require bulky ventilation ducts that reduce valuable indoor space. Nor do they need the installation of oversize fans to control pressure losses.

Induction jet fans feature reduced height making them ideal for low-ceiling car parks where maximising space is essential to the users, maintenance workers and emergency services. Whether installed in a low- or high-ceiling car park, their reduced height allows extensive views for surveillance video cameras, increasing security and user safety.

Jet fan ventilation systems allow for a virtual partition of the car park through 'fire zones'. The fire zones confine smoke in certain areas without spread. Therefore, firewalls are no longer required leaving increased availability of vehicle parking spaces.

High air quality inside the car park

Jet Fans must be correctly positioned within a car park to ensure a sufficient air exchange rate and maintain low CO levels.

Air flows generated near the car park ceiling promote the car park air circulation, preventing the stagnation of polluted air, without affecting user thoroughfare with undesirable air movement.

Mechanically ventilated car parks minimum requirements for daily ventilation:

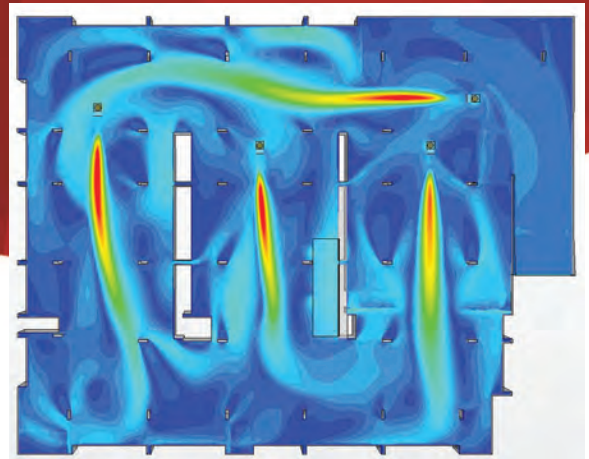
The maximum permissible carbon monoxide level is 50ppm averaged over eight hours, with levels not exceeding 100ppm for 30 minutes.

CFD Analysis

Computational Fluid Dynamics

2

With CFD modelling you can easily adjust the position of your Jet Fans to best suit maximum ventilation before they are even installed.



Computational Fluid Dynamics (CFD)

Computational Fluid Dynamics (CFD) analysis is a valuable tool to efficiently design and plan a ventilation system for your car park. It precisely predicts air flows by dividing the car park space into thousands of different cells (mesh) using specific mathematical models generated with real field experience.

With a CFD analysis, you can visually ascertain air flows and smoke trails to predict their dispersal to various areas and fire ignition points, and investigate the influence jet fans may have if differently positioned.

In this way the designer can optimise the layout and number of jet fans required, and avoid unproductive and expensive oversizing. Once the system is installed, it is a good practice to carry out a test to check the efficiency of the system to limit smoke in the fire ignition area and transfer it from the car park without obstructing emergency exits.

ALLVENT provides both the CFD modelling to demonstrate the ventilation system is adequate and effective, and a full technical report to obtain council or local authority approval prior to installation.

The Final Report Includes:

- A description of the car park and the ventilation system;
- The design criteria and targets of the analysis;
- The details of the CFD model setting; and
- The final results of the analysis.

Engineering

Design and system layout

Find the perfect layout for your Jet Fan ventilation system, engineered with precision.



Design Criteria

An efficient jet fan ventilation system depends on precise design and planning. It must include the car park layout, main characteristics, type (underground or aboveground), overall surface, height, number of access ramps and their layout within the car park space, position of openings and extraction intakes.

Jet Fan ventilation systems consist of:

- **Jet Fans** – installed on the car parks ceiling;
- **Main Fans** – placed on the supply and extraction points;
- **Switches** – on/off;
- **Sensors** – CO, smoke and heat; and
- **Fan Control Unit** - managing the operation of Jet Fans, main fans and dampers based on the sensors' readouts. It also ensures correct ventilation in the car park and dilution of CO concentrations.

Jet Fans

Induction jet fans feature an overall shorter height and a higher thrust, which make them particularly suitable for low-height car parks. Also, their laminar flow prevents unwanted turbulence.

Main Fans

To elevate the appropriate ventilation in a car park, the quick extraction of smoke (in case of fire), and the supply of fresh air near the emergency exits, jet fans must be combined with axial fans installed near the ventilation intakes/risers. Metal (die-cast aluminum) blades are used.

Sensors and Switches

The accurate operation of a jet fan ventilation system includes the automatic control of the installed fans. Sensors activate the fans at the appropriate speed and time to limit CO concentrations. In case of fire, the fans can also be managed by a series of smoke and/or heat sensors. The system must also include a series of on/off switches, the operation of which is controlled by the fire brigade.

Thrust	Ideal distance between two Jet Fans side-by-side	Ideal distance between two Jet Fans in series
30 N	8–10 m	15–20 m
50 N	15 m	35–40 m
80 N	15 m	55–60 m
100 N	15–17 m	70–80 m

Quiet

Maximum thrust

8900 m³/h

CENTRIFUGAL JET FANS

IVRD Series

CARPARK VENTILATION AND EXTRACTOR FANS



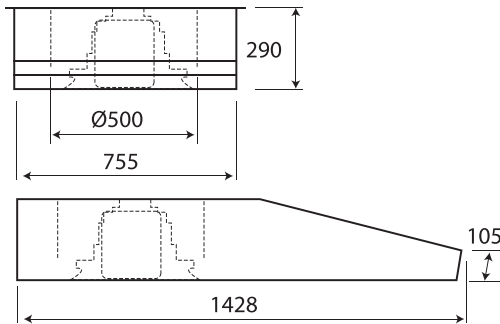
Quiet and universal in application – setting the standard in thrust and weight. Suitable for ventilation of car parks with ambient temperature from up to 40°C.

Technical Data

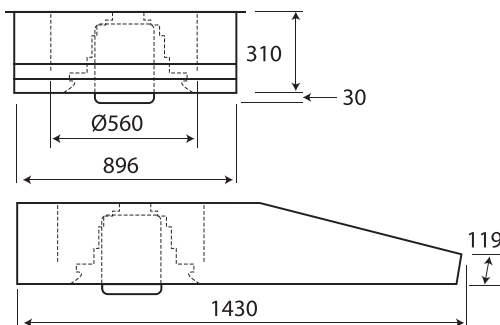
Model	Code	Thrust N	Air Flow Speed m/s	Max. Air Flow Volume V m ³ /h	RPM min ⁻¹	Sound Pressure Level dBA	Nominal Motor Power kW	Current		Phase	Nominal Weight ca. kg
								Full Load Amps	Initial Amps		
IVRD 500/4	ALV1104	43	21.3	6100	1440	55	1.5	3.3	20.5	3	63
IVRD 560/4	ALV1105	75	25.2	8900	1420	58	2.20	4.6	34		72

Dimensions

43N



75N



Features

- Low noise emission
- Maximum thrust
- Easy and fast to install due to lightweight, aluminium construction
- Direct driven, centrifugal
- Option: Onboard smoke detection available
- Smoke spill version available

Compact

Energy efficient

Very quiet

CENTRIFUGAL JET FANS

EC Jet Series

CAR PARK VENTILATION FANS



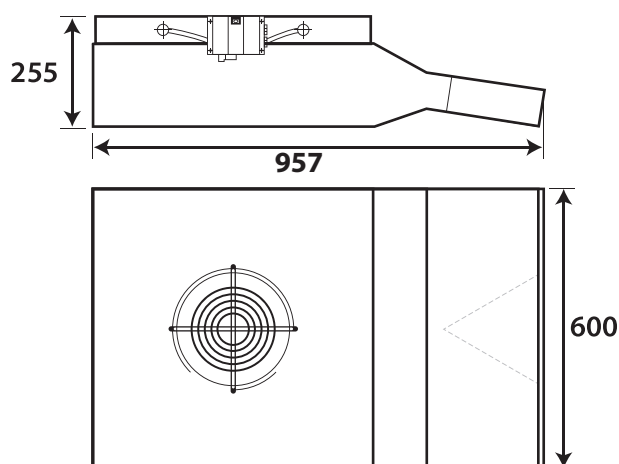
With minimised casing height in combination with specially designed outlet nozzles the EC jet fan can be positioned at the ideal location and not interfere with traffic circulation.

Technical Data

Model	Code	Thrust	Max. Air Flow Volume	RPM	Sound Pressure Level	Nominal Motor Power	Current	Phase	Nominal Weight ca.
							Full Load		
		N	V m ³ /h	min ⁻¹	dBa	kW	Amps		kg
HC-EC	ALV750	20	3400	780	58	0.53	2.2	1	12

Effective plume length 33m

Dimensions



Features

- Isolator (safety switch)
- Frequency controlled
- A reduction in the number of thrust fans required (by up to 65%) due to improved system performance
- Lower energy consumption
- Fewer cables, including ancillaries
- Lower installation costs
- Lower maintenance costs
- Option: Onboard smoke detection available

These fans have been developed to provide many technical and financial benefits and advantages, using the unique patented outlet venturi and the ultra-flat centrifugal impeller, resulting in a very low installation height of 255mm.

IP54

High performance

High efficiency

CENTRIFUGAL JET FANS

IVR-EC Jet Series

CAR PARK VENTILATION FANS

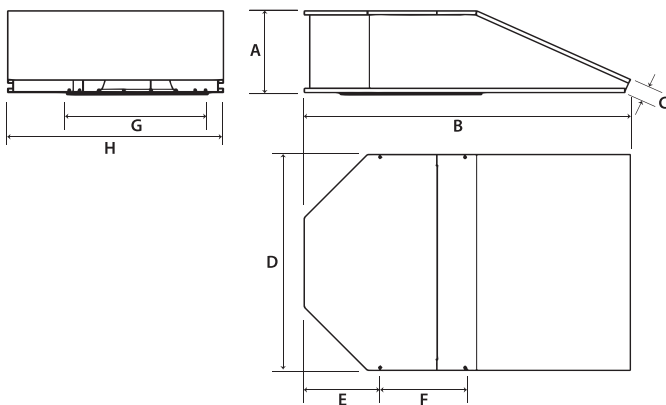


High quality, high-performance jet fans with optimal dimensions for the smallest space requirements. Latest EC technology for economical ventilation solutions in parking garages and commercial applications.

Technical Data

Model	Code	Power	Thrust	Air Flow Speed	Max. Air Flow Volume	RPM	Sound Pressure @ 3m	Nominal Motor Power	Current Full Load	Phase	Nominal Weight ca.
		V	N	m/s	V m ³ /h	min ⁻¹	dBA	kW	Amps		kg
IVRW EC 400	ALV09802	230	50	33.0	4700	1950	55	1.25	6.4	1	28
IVRD EC 450	ALV09803	400	75	36.0	6300	1800	57	1.80	2.9	3	33

Dimensions



	A	B	C	D	E	F	ØG	H
IVRW EC 400	334	1264	50	814	311	300	400	840
IVRD EC 450	372	1420	56	916	330	370	450	939

Features

- Low sound emission levels
- Highly efficient motor with EC technology
- Variably controllable via 0 – 10 Volt signal
- Maximum thrust power
- Aluminium casing in lightweight design for peak efficiency.
- Aerodynamic inlet nozzle
- Simple and easy to install due to low weight
- Centrifugal impeller driven directly by EC external rotor motor
- Supply and extract ventilation with air flow temperatures up to 40 °C
- High-performance centrifugal impeller with backward curved blades
- Protection class IP54
- Option: Onboard smoke detection available

IMPROVE YOUR AIR QUALITY

Jet Fan Accessories

CAR PARK VENTILATION



Quality products to make your car park safe and easy to monitor.

Firecat 12V



Non-latching Smoke Detector

The Firecat is a low current, industrial standard sensor which can operate either as an optical, opto/heat combined, rate of rise heat or fixed 77" heat sensor via selection switches.

The detector is equipped with a set of volt-free contacts. It can be configured to auto-reset from the alarm setting, has a dual LED indicator to indicate the alarm setting, and be configured to give a short flash in the normal setting.

The Firecat smoke detector system can be integrated and fitted to ALL jet fan models.

Universal Controller



TC5044

The TC5044 is a programmable controller that has pre-programmed blocks for CO. The controller is housed in a 4 DIN module, 70 x 88 x 62mm enclosure and comes with its own DIN rail mount or can be mounted on a standard 35mm DIN mounting rail. The TC5044 controller has a 2 x 16 character LCD display with white backlighting, 4 blue relay status LED's and 3 push button's for INCREASE, DECREASE, and SELECT.

CO Smart Sensor



CO3800

The CO3800 Carbon Monoxide smart sensor is a slim, wall-mounted sensor with a tiny fan that draws air in from the bottom of the polycarbonate housing through a dust filter, over the sensor and discharges through the top to ensure a positive response to CO emissions while the sensor is well protected inside the housing.

The CO3800 sensor operates on a two-wire, non-polarised connection to the TC5044 controller.

See our quality range of exhaust/supply fans at www.allvent.com.au



Commercial Ventilation

Commercial Ventilation

AFA Series	72
Attenuator range	73
AVICS Series	74
QCF Series	76
AVKV Series	78
VRC / DRC Series	80
KAF Series	82
RRK Series	83
A-E Series	84
ALVRP	85
RCF Series	86
RCR Series	87
RCK Series	88
SRC/VSRC Series	89
HVLS	90
Air Curtains	92



ADJUSTABLE PITCH AXIAL FANS

AFA Series

SUPPLY AND EXTRACT

Allvent offers AFA series with fan size ranging from 315 to 2000mm diameter catering for all commercial and industrial applications.

Features

- Hot dipped galvanised steel construction
- High Efficiency, High Temp, Smoke Spill (Class F & Class H), Explosion proof (Exe, Exd, & Exn) motor options available
- Aluminium, GRP & Anti Static impellers available depending on the application
- Available range from 2-8 pole
- Custom cases available to suit on site requirements
- Optional Painting/Epoxy coating available
- Indoor and Outdoor installation
- Motor size ranging from 0.37kW to 90kW
- VSD controllable

Accessories

- Feet and Flanges to suit
- Anti vibration mounts to suit (refer pg 58)
- Inlet Cones and Finger guards to suit
- VSD (refer pg 57)
- Attenuators to suit

Applications

- Car Park
- General exhaust and supply
- Industrial
- Warehouse Exhaust
- Battery rooms
- Smoke Spill applications
- Kitchen exhaust and supply

Technical Data

Model	Power (V)	Dia (mm)	Pole range
AFA31	400	315	2-4
AFA40	400	400	2-6
AFA45	400	450	2-6
AFA50	400	500	2-6
AFA56	400	560	2-6
AFA63	400	630	2-8
AFA71	400	710	2-8
AFA80	400	800	4-8
AFA90	400	900	4-8
AFA10	400	1000	4-8
AFA112	400	1120	4-8
AFA125	400	1250	4-8
AFA140	400	1400	6-8
AFA150	400	1500	6-8
AFA160	400	1600	6-8
AFA180	400	1800	6-8
AFA200	400	2000	6-8

CIRCULAR, RECTANGULAR, CROSS-TALK ATTENUATORS & ACOUSTIC LOUVRES

Attenuator Range

Attenuators or Silencers, are essential in HVAC installations to control noise generated by fans, airflow turbulence, and other components. They ensure acoustic comfort, compliance with noise regulations, and prevent sound transmission through ducts. By maintaining low noise levels, attenuators improve indoor environment quality, making them indispensable for efficient and quiet HVAC operation.

Features

- Available in 4 different types - Circular, Rectangular, Cross-Talk & Acoustic Louvre
- Fibreglass or rockwool are used for acoustic fill.
- Podded and Unpodded ranges available ranging from sizes 150-2000mm diameter with customisable lengths up to 3600mm
- Rectangular type attenuators are customisable with dimensions. Tapered and Straight splitter options available.
- Special material construction is available in corrosive environment applications.
- Melinex Lining option available for both circular and rectangular attenuator options
- Acoustic Louvres are ideally suited to installations that require the passing of large volumes of air with only a moderate noise reduction from source to receiver. For increased attenuations grill silencers can be mounted behind standard weather louvres.

Circular Attenuators



Air Relief Silencers



Rectangular Attenuators



Acoustic Louvres





INLINE DUCT MOUNTED

AVICS Series

HIGH PERFORMANCE

Particularly suitable for medium to higher air flow volumes against high resistances in exhaust air systems of process technology or commercial kitchens.



The AVICS series is a range of inline duct mounted fans for use in general ventilation systems. All models are built around high performance centrifugal impellers driven by totally enclosed fan cooled (TEFC) or external rotor motors (ERM). Note that single phase AVICS series fans are only available in ERM models.

Technical Data

Model	Code	Full Load Current	kW	dBA @ 3m	Phase
ICS280-4EE	ALV2091	0.35	0.08	46	1
AVICS315-4EE	ALV8806	0.81	0.17	39	
AVICS315-6EE	ALV820	0.42	0.08	34	
AVICS355-4EE	ALV8808	1.3	0.27	45	
AVICS355-6EE	ALV8813	0.5	0.1	39	
AVICS400-4EE	ALV8803	1.9	0.43	46	
AVICS400-6EE	ALV8814	0.83	0.17	38	
AVICS450-4EE	ALV8816	3.3	0.73	54	
AVICS450-6EE	ALV8818	1.4	0.3	43	
AVICS500-4EE	ALV8820	5.8	1.3	53	
AVICS500-6EE	ALV8822	2.2	0.45	44	
AVICS560-6EE	ALV8810	3	0.66	47	
AVICS315-4DD	ALV8804	1.03	0.37	46	
AVICS355-4DD	ALV8807	1.03	0.37	51	
AVICS400-4DD	ALV8811	1.26	0.55	54	
AVICS400-6DD	ALV8812	1.66	0.55	44	
AVICS450-4DD	ALV8815	2.37	1.1	58	
AVICS450-6DD	ALV8817	1.66	0.55	49	
AVICS500-4DD	ALV8819	3.19	1.5	59	
AVICS500-6DD	ALV8821	1.87	0.75	50	
AVICS560-4DD	ALV8823	5.9	3	64	
AVICS560-6DD	ALV8824	2.62	1.1	53	
AVICS630-4DD	ALV8825	10.3	5.5	70	
AVICS630-6DD	ALV8826	4.83	2.2	60	
AVICS630-8DD	ALV8827	2.2	0.75	53	
AVICS710-6DD	ALV8828	6.47	3	62	
AVICS710-8DD	ALV8829	2.91	1.1	55	

Features

- High reliability TEFC or ERM motors with sealed for life bearings
- Class 'H' available across all sizes
- EXE, EXD, motors available across the range
- High performance backward curve centrifugal impellers
- Perfectly suited to medium/high volume and pressure applications
- Fully speed controllable
- Fans can be mounted at any angle

Construction

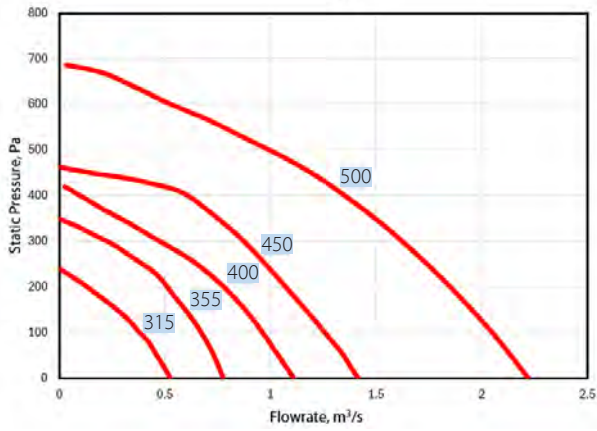
Cases are fabricated from galvanised sheet steel with standard duct flanges for easy installation. Impellers are high efficiency backward curve centrifugal type. The impeller and motor assembly is supported by a robust galvanised steel frame for long, trouble free service.

Motors

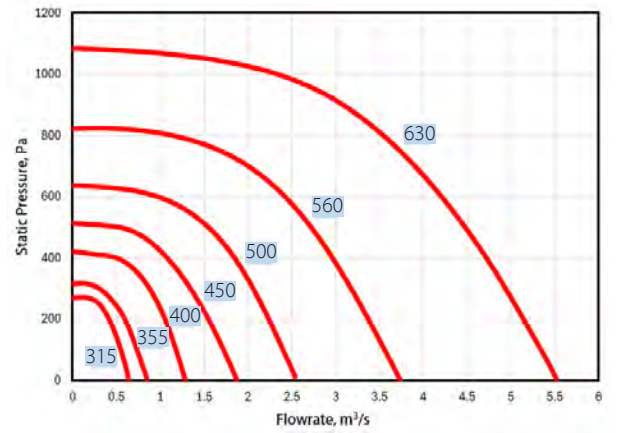
Motors are of TEFC or ERM design. Motor enclosure feature minimum IP54 protection as standard with higher ratings are available on request. Motor windings incorporate class 'F' insulation as standard although class 'H' is readily available. Motor bearings are sealed for life and maintenance.

AVICS Performance Curves

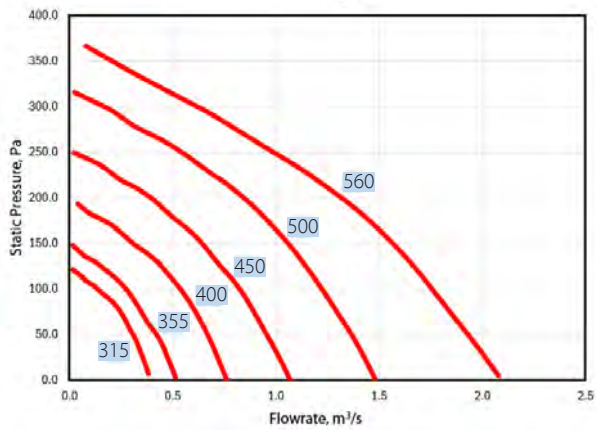
AVICS 4-POLE (Single Phase ERM)



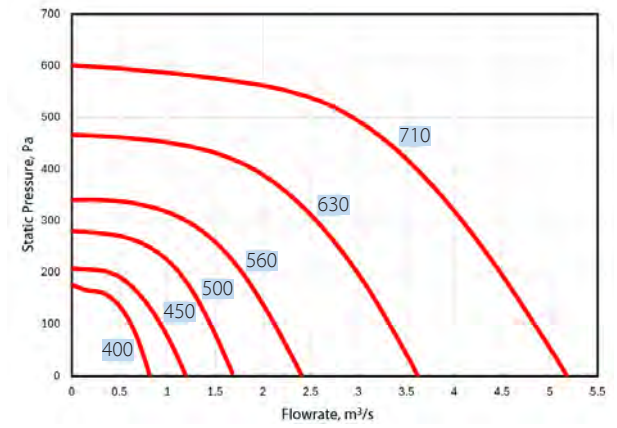
AVICS 4-POLE (Three Phase TEFC)



AVICS 6-POLE (Single Phase ERM)



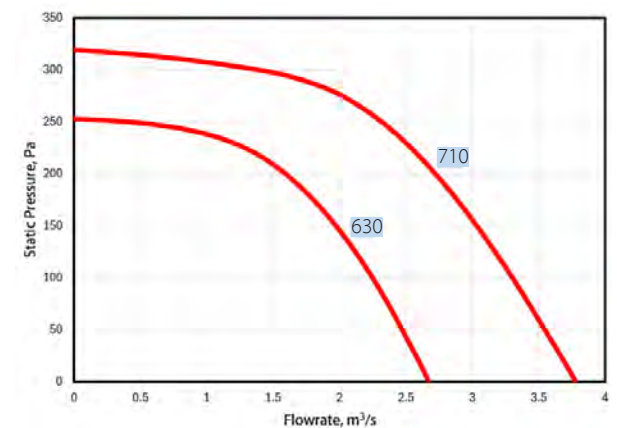
AVICS 6-POLE (Three Phase TEFC)



Accessories

- Feet and Flanges to suit
- Anti vibration mounts to suit (refer pg 58)
- VSD/Speed controllers (refer pg 56, 57)
- Attenuators to suit

AVICS 8-POLE (Three Phase TEFC)





INLINE DUCT MOUNTED

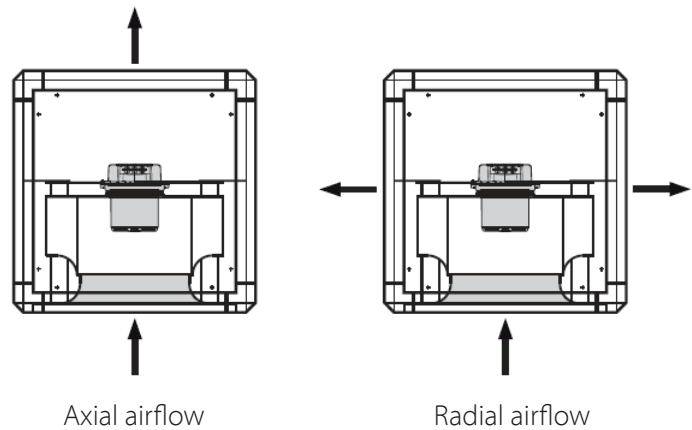
QCF Series

POWERFUL QUIET PERFORMANCE

The flexible and compact EC Quiet Cube Fans are designed to handle small to medium air volumes.

Features

- High Efficient Motors IE4 (single phase and IE5 (three phase)
- Energy saving EC technology - BMS compatible
- Discharge in any direction
- Flexible installation
- Quiet operation
- IP54 rated
- Casing with two aluminum chambers
- 20mm galvanized steel panels



Construction

The housing supporting frames are double chamber aluminum profiles with corners made of plastic and 20 mm double skinned galvanized steel panels insulated with non-inflammable, noise and temperature insulating fiberglass mats. As standard the housing is open opposite the wheel (straight air flow). Changing the airflow direction on site is possible any time by Changing the position of one panel.

This flexibility ensures the highest adjustment possibilities to the structural conditions. All plastic components and cables are UV-resistant.

Backward curved, high performance impellers of aluminium are used. The impellers are driven by an energy saving EC external rotor motor installed in the impeller. The integrated motor protection is signalled via alarm relay.

Assembly Notes



1

Housing made of galvanized sheet steel, aluminium blades. External levers for setting the blades.

2

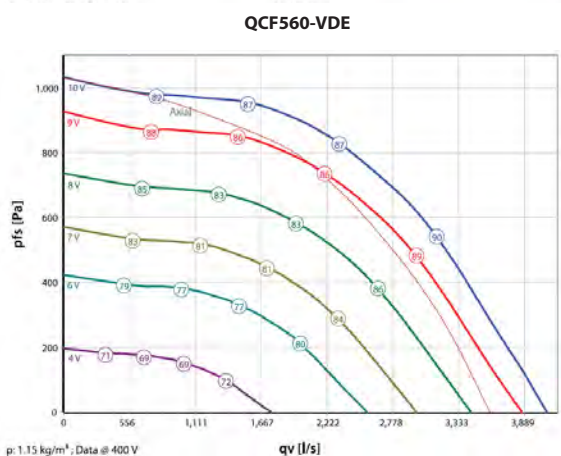
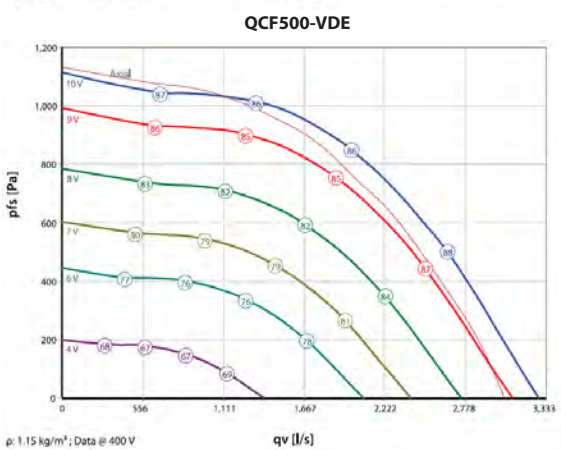
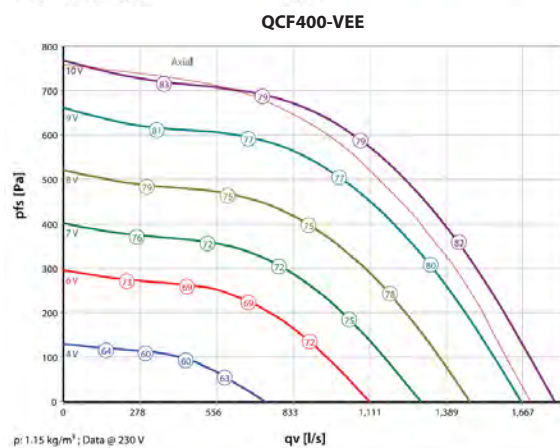
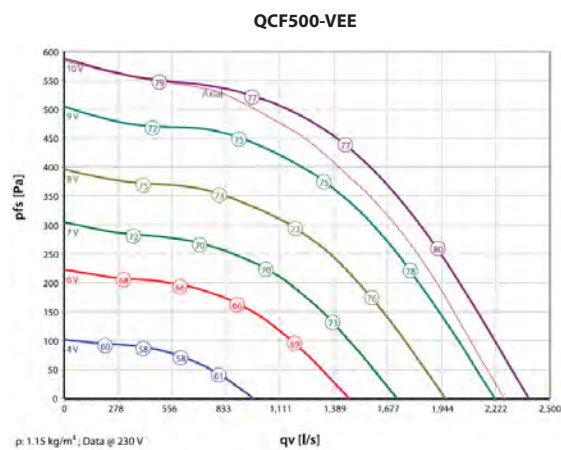
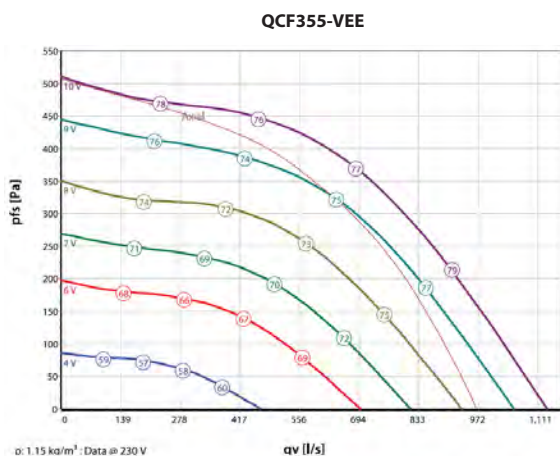
Connection with frame made of galvanized sheet steel. Flexible middle section made of PVC fabric with a temperature range up to +70°C.

Technical Data

Model	Code	Hz	V	kW	A	RPM	°C	l/s	Phase	Efficiency rating	dBA @ 3m
QCF315-VEE*	ALV80001	50	230	0.44	1.97	2200	-25..+40	833	1	IE4	46
QCF355-VEE	ALV80002	50	230	0.46	2.04	1700	-25..+40	1111	1	IE4	42
QCF400-VEE	ALV80003	50	230	1.04	4.6	1875	-25..+40	1667	1	IE4	42
QCF450-VEE	ALV80004	50	230	1.03	4.63	1550	-25..+40	1944	1	IE4	44
QCF500-VEE	ALV80005	50	230	1.07	4.72	1300	-25..+40	2500	1	IE4	46
QCF500-VDE	ALV80006	50	400	2.69	4.15	1800	-25..+60	3333	3	IE5	58
QCF560-VDE	ALV80007	50	400	3.1	4.8	1550	-25..+50	3889	3	IE5	57
QCF630-VDE*	ALV80008	50	400	2.39	3.71	1100	-25..+60	4444	3	IE5	51
QCF710-VDE*	ALV80009	50	400	2.66	4.13	940	-25..+60	5000	3	IE5	60

* For performance curves, refer to ALLVENT

Performance Curves





Three phase TEFC version



Single phase, Three phase ERM version



ROOF MOUNTED CENTRIFUGAL FANS

AVKV Series

VERTICAL DISCHARGE KITCHEN EXHAUST

This series is a range of high performance all metal fans for use in kitchen exhaust and general ventilation applications. Motors are mounted out of the air stream and wind bands are secured with clip fasteners to allow easy access for servicing and cleaning.

Technical Data

Model	Code	Full Load Current	kW	dBA @ 3m	Phase
AVKV190-VEE*	ALV812	0.74	0.09	50	1
AVKV250-4EE	ALV814	0.50	0.05	37	
AVKV315-4EE	ALV820	0.50	0.12	45	
AVKV315-6EE	ALV821	0.50	0.06	38	
AVKV355-4EE	ALV822	1.12	0.25	45	
AVKV355-6EE	ALV823	0.45	0.10	39	
AVKV400-4EE	ALV824	2.40	0.48	49	
AVKV400-6EE	ALV825	0.68	0.16	41	
AVKV450-4EE	ALV827	3.0	0.68	51	
AVKV450-6EE	ALV828	0.3	1.4	43	
AVKV500-4EE	ALV897	5.8	1.3	53	
AVKV500-6EE	ALV898	2.2	0.45	44	
AVKV560-6EE	ALV8990	3	0.66	47	
AVKV315-4DD	ALV815	1.03	0.37	46	
AVKV355-4DD	ALV818	1.03	0.37	51	
AVKV400-4DD	ALV891	1.26	0.55	54	
AVKV400-6DD	ALV892	1.66	0.55	44	
AVKV450-4DD	ALV893	2.37	1.1	58	
AVKV450-6DD	ALV894	1.66	0.55	49	
AVKV500-4DD	ALV830	2.4	1.1	60	
AVKV500-6DD	ALV831	1	0.37	50	
AVKV560-4DD	ALV833	4.4	2.2	65	
AVKV560-6DD	ALV834	1.7	0.55	54	
AVKV560-8DD	ALV835	1.1	0.37	44	
AVKV630-4DD	ALV836	7.7	4	69	
AVKV630-6DD	ALV837	2.6	1.1	57	
AVKV630-8DD	ALV838	1.7	0.55	49	
AVKV710-6DD	ALV839	4.8	2.2	61	
AVKV710-8DD	ALV840	2.1	0.75	47	

* EC motor

Construction and Dimensions

Fabricated from powder coated galvanised steel in compliance with AS/NZS1668.1:1998 for kitchen exhaust systems.

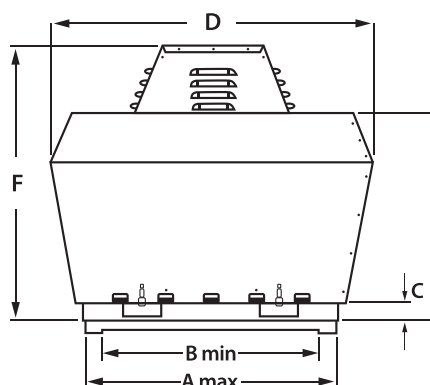
Single-phase power motors drive high performance, backward curve, centrifugal impellers – fully speed controllable. Three-phase models use TEFC motors and are VSD compatible. ERM motors are also available. EC Motors are available in both single and three phase versions.

Different colour finishes are available

High Temp motor available

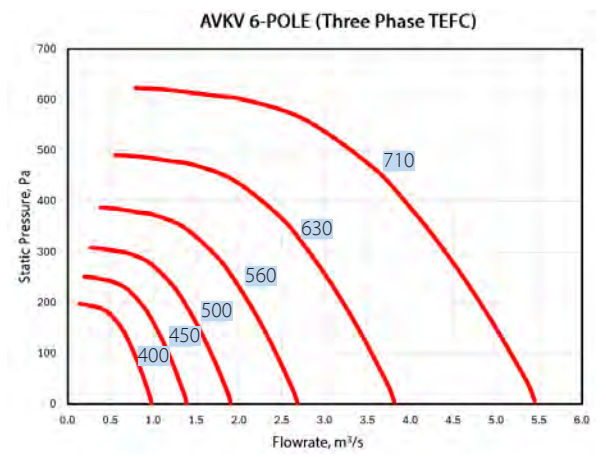
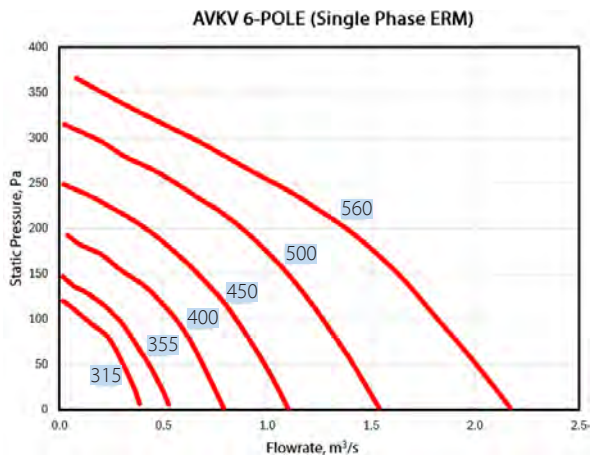
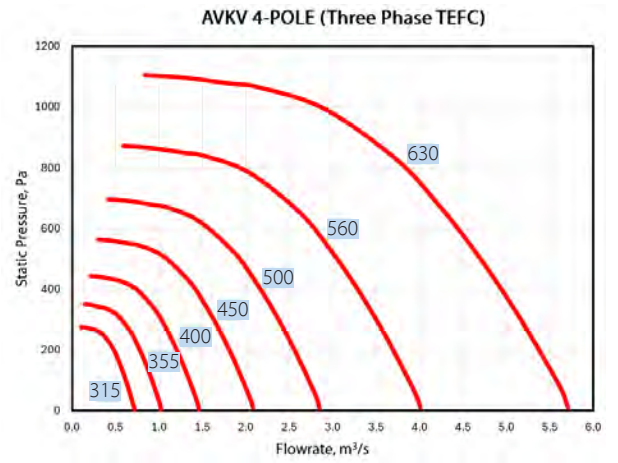
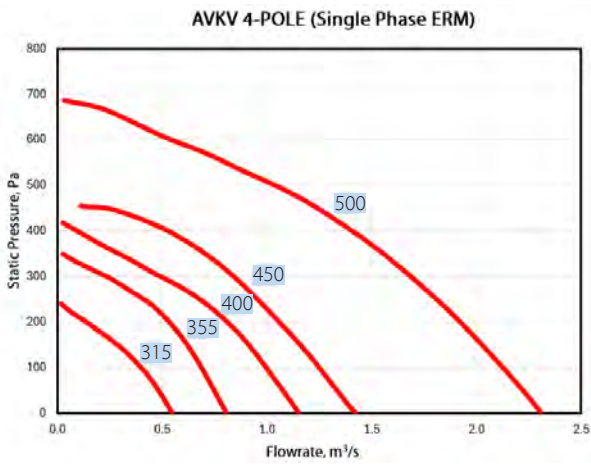
Bushfire range available

Refer to pages 52 & 55 for speed controllers



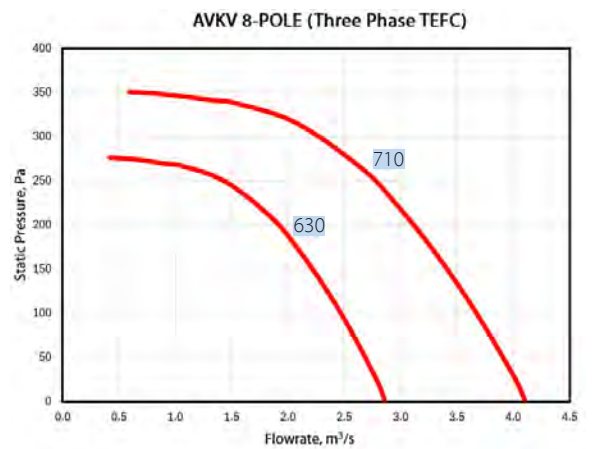
	A	B	C	D	E	F (3-ph models)
AVKV190/250	320	260	80	420	270	-
AVKV315	425	310	80	560	385	630
AVKV355/400	515	400	80	680	460	700
AVKV450/500/560	735	620	80	980	650	820
AVKV630/710	815	710	80	1200	-	910

AVKV Performance Curves



Accessories

- Anti vibration mounts to suit (refer pg 58)
- VSD/Speed controllers (refer pg 56, 57)



ROOF MOUNTED CENTRIFUGAL FANS

VRC / DRC Series

ROOF MOUNTED VENTILATORS



This series is available in single-phase and three-phase power. Single-phase power use external rotor motors with speed control. Three-phase power require step speed controller with external rotor motors.

Technical Data

Model		Code	Power			Speed	Sound
Vertical Discharge	Horizontal Discharge		Motor kW	FLA	Phase	RPM	dBA @ 3m
VRC190-2E		ALV841	0.052	0.23	1	2350	40
	DRC190-2E	ALV842	0.052	0.23	1	2560	37
VRC220-2E		ALV843	0.085	0.38	1	2600	51
	DRC220-2E	ALV844	0.085	0.38	1	2600	51
VRC220-4E		ALV845	0.05	0.25	1	1380	36
	DRC220-4E	ALV846	0.05	0.25	1	1380	36
VRC280-4E		ALV847	0.078	0.35	1	1420	43
	DRC280-4E	ALV864	0.078	0.35	1	1420	43
VRC280-6E		ALV848	0.038	0.35	1	960	35
	DRC280-6E	ALV865	0.038	0.35	1	960	35
VRC315-4E		ALV849	0.115	0.5	1	1430	45
	DRC315-4E	ALV867	0.115	0.5	1	1430	45
VRC315-6E		ALV880	0.06	0.5	1	960	39
	DRC315-6E	ALV866	0.06	0.5	1	960	38
VRC355-4E		ALV881	0.245	1.12	1	1420	45
	DRC355-4E	ALV868	0.125	0.35	1	1420	45
VRC355-6E		ALV882	0.07	0.31	1	870	39
	DRC355-6E	ALV869	0.085	0.15	1	1250	39
VRC400-4E		ALV883	0.48	2.4	1	1370	49
	DRC400-4E	ALV870	0.48	2.4	1	1379	49

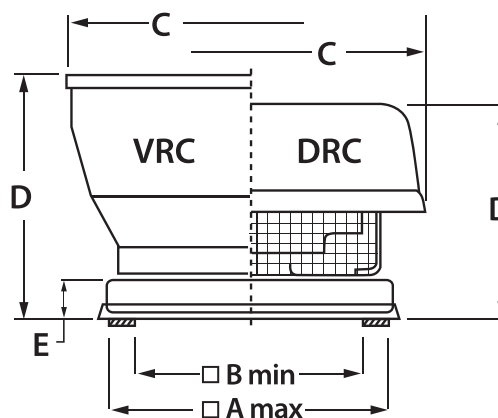
- Also available in 3 phase
- EC models available
- Bushfire Compliant options available (metal construction)

Accessories

- Speed controllers (refer pg 56)
- Backdraft dampers

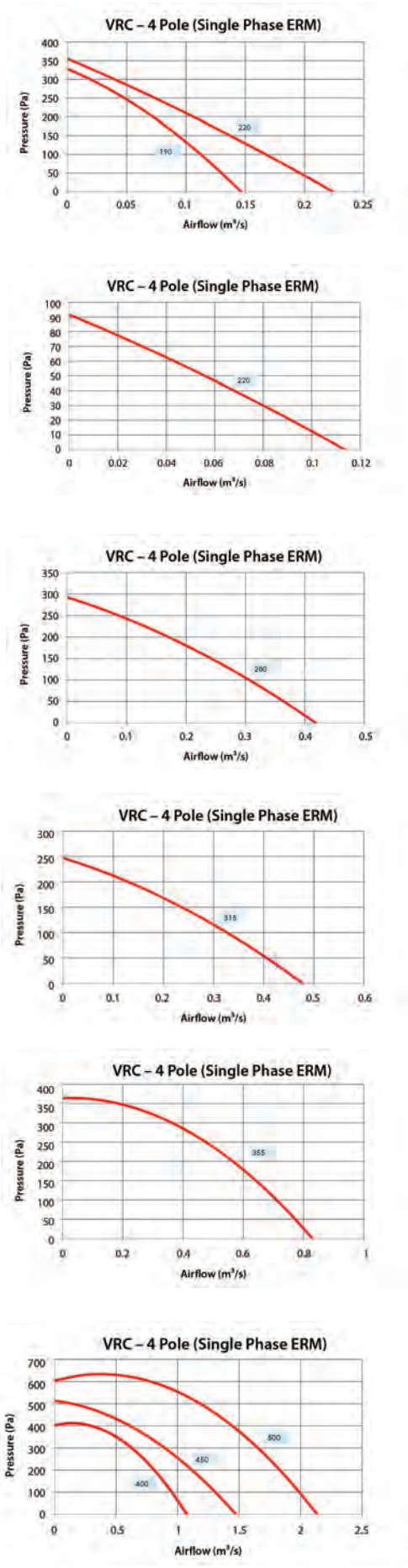
Construction and Dimensions

Components are made from UV stabilised polymer, corrosion protected steel and fibreglass. All models are fitted with bird mesh as standard. Available in optional Colourbond™ colours.

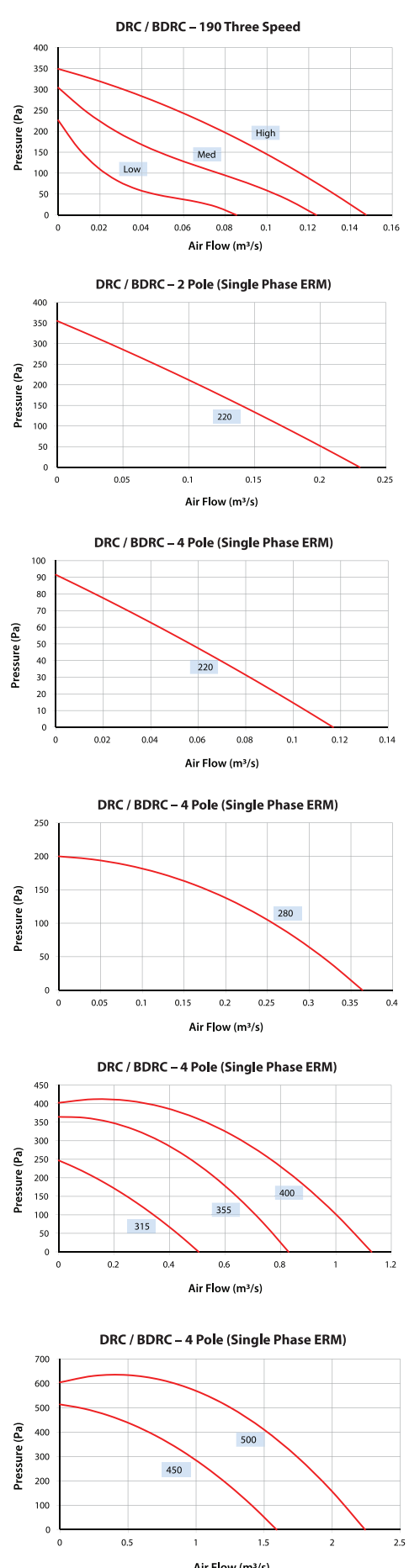


VRC	A	B	C	D	E	Kg
190/220	265	215	400	250	70	7/8
280/315	395	345	500	300	50	10/12
355	500	400	630	396	70	12
400	500	400	630	410	70	15
DRC						
190	380	325	400	260	60	4
220	295	245	350	120	50	4
280	345	345	507	215	50	5
315	345	345	505	239	50	6
355	500	400	730	410	70	12
400	500	400	730	427	70	16

VRC Performance Curves



DRC Performance Curves



ROOF MOUNTED AXIAL

KAF

VERTICAL DISCHARGE KITCHEN EXHAUST



For commercial installations ranging from food trucks to shop fitouts. Suitable retrofit option for existing round base installations.

Technical Data

Model	Code	mm	A	kW	Hz	Phase	V	l/s	m ³ /h	Pa	RPM	dB(A) @ 3m
KAF250-4E	ALV620	250	0.55	0.12	50	1	240	500	1800	300	1390	48
KAF305-4E	ALV621	300	1.0	0.2	50	1	240	700	2520	350	1400	52
KAF380-4E-VS	ALV623	380	2.3	0.37	50	1	240	1800	6480	150	1410	54
KAF450-4E-VS	ALV626	450	4.4	0.75	50	1	240	3000	10800	150	1380	58
KAF450-4DD	ALV627	450	1.8	0.75	50	3	415	3000	10800	150	1400	58

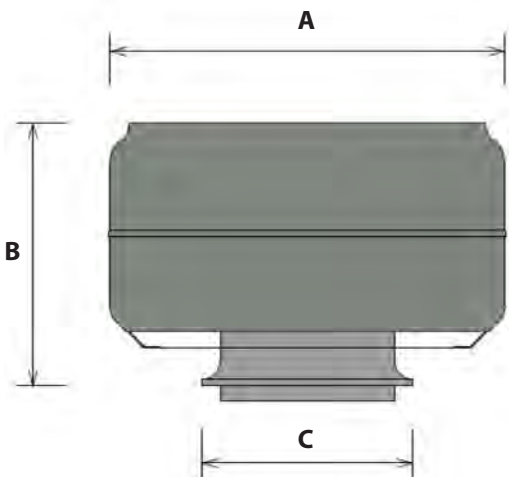
Features

- Used for commercial kitchen applications and general ventilation.
- Weather proof housing
- Galvanized steel construction
- Speed controllable
- Powder coated finish.
- Detachable windband for easy cleaning
- Circular connection. Includes flange bracket for easy mounting

Accessories

- Speed controllers (refer pg 56)

Dimensions



	A	B	C
KAF250-4E	600	360	260
KAF305-4E	600	400	306
KAF380-4E-VS	720	480	384
KAF450-4E-VS	720	500	461
KAF450-4DD	720	500	461

INLINE EXPLOSION PROOF FAN

RRK Series

EXPLOSION PROOF



The RRK Series is designed to ventilate rooms and working places in commercial and industrial applications where a hazardous atmosphere can occur

Technical Data

Model	Code	mm	A	W	Hz	Phase	V	l/s	m ³ /h	Pa	RPM	dB(A) @ 3m	kg	Temp Class	IP
RRK 180 Ex	ALV42359	180	0.25	50	50	1	230	81	290	200	2780	48	3.0	T1-T4	IP54
RRK 200 Ex	ALV42263	200	0.92	200	50	1	230	156	560	320	2860	55	5.5	T1-T3	
RRK 250 Ex	ALV42309	250	1.40	300	50	1	230	269	970	370	2860	59	7.0	T1-T3	

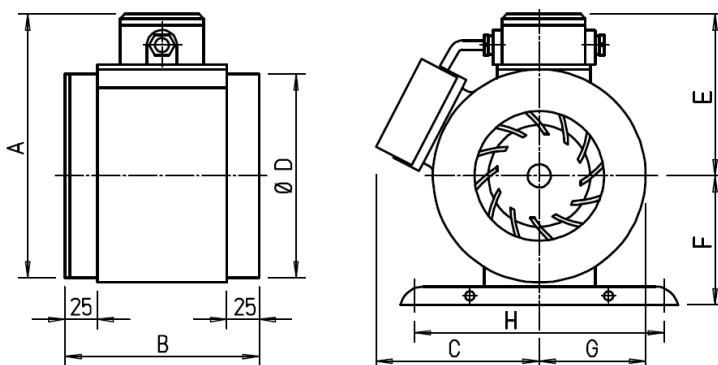
Features

- Very compact in design and low installation cost through straight air flow
- Installation in any position
- Explosion proof E Exe II 2D
- Increased safety to DIN EN 60079-0, 60079-7, 1127-1, 14986
- Casing and impeller made from impact resistant, anti-static polymers
- Reducers are available for RRK 180 to suit 100mm and 125mm ducts

Accessories

- Speed controllers (refer pg 56)
- Mounting Bracket
- Reducers (only for RRK180)

Dimensions



	A	B	C	D	E	F	G	H
RRK 180 Ex	231	164	160	178	142	120	92	275
RRK 200 Ex	278	267	195	198*	166	140	115	299
RRK 250 Ex	304	205	210	248	180	160	128	311

* with reducers mounted on each intake and exhaust

VORTICE

A-E Series

COMPACT SQUARE PLATE SERIES



A range of compact, plate-mounted, axial-flow fans suitable for wall or panel mounting. Suitable for commercial and industrial applications ie: warehouses, hospitals, nightclubs, offices, theatres, factories, gyms, restaurants etc.



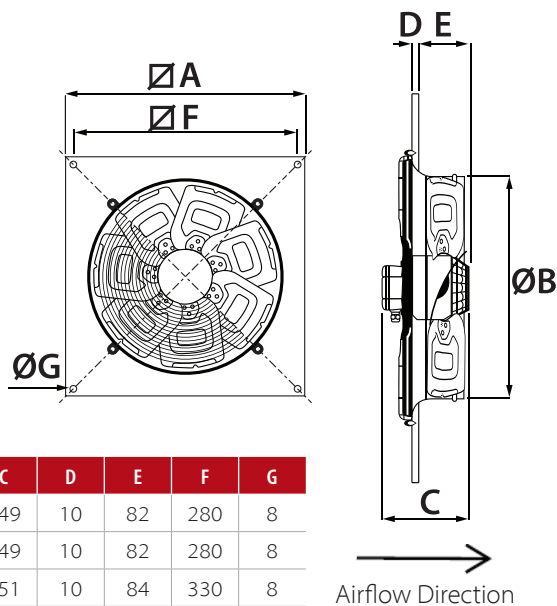
Technical Data

Model	Code	W	A	Poles	RPM	m ³ /hr	L/sec	Pa	dBA @3m	Max °C
A-E252M	ALV42207	95	0.41	2	2500	1365	379	177	53	50
A-E254M	ALV42208	38	0.17	4	1400	764	212	61	38.5	50
A-E304M	ALV42216	81	0.35	4	1400	1563	434	130	43	50
A-E354M	ALV42258	182	0.82	4	1400	2960	822	100	49.5	50
A-E404M	ALV42260	261	1.20	4	1400	4310	1197	152	55.6	50
A-E454M	ALV42307	302	1.35	4	1400	5250	1458	127	54.8	50
A-E504M	ALV42316	482	2.12	4	1400	6639	1844	186	59	50
A-E506M	ALV42337	285	1.32	6	1000	4805	1335	152	57.2	50
A-E566M	ALV42356	345	1.51	6	1000	6715	1865	134	57.2	50

Features

- Low noise levels.
- Panels made of pressed steel, phosphated and epoxy powder coated with hammered effect finish, painted in polyester black paint, 5 pressed steel blades, electrolytically galvanised and polyester powder-coated, colour black, guaranteeing long-term resistance to atmospheric agents.
- 1 speed single phase AC motor of external rotor type designed to minimise axial dimensions, with shaft turning in ball bearings, insulation class F, thermal overload protection.
- Three phase models available
- Dynamically balanced impeller (UNI ISO 1940, Point 1 – Class 6.3).

Dimensions



	A	B	C	D	E	F	G
A-E252M	320	264	149	10	82	280	8
A-E254M	320	264	149	10	82	280	8
A-E304M	380	316	151	10	84	330	8
A-E354M	450	359	155	10	43	380	4
A-E404M	510	406	200	15	75	430	12
A-E454M	630	455	200	15	60	530	12
A-E504M	630	507	218	15	72	530	11
A-E506M	630	507	218	15	72	530	11
A-E566M	725	563	218	15	67	675	11

Performance Curves

Refer to Allvent

Accessories

- Speed controllers (refer pg 56)
- Aluminium external grille (refer pg 52)

RING PLATE FANS

ALVRP

COMPACT RING PLATE SERIES



Axial flow fan for wall/ceiling mount installations. Black Painted rotor and impeller.

Technical Data

Model	Code	W	A	Poles	RPM	m ³ /hr	L/sec	dBA @3m	Max °C
ALVRP200-4E	ALV5220	32	0.14	4	1385	510	142	44	-20/+70
ALVRP250-4E	ALV5221	63	0.28	4	1395	1050	292	52	-20/+60
ALVRP300-4E	ALV5222	94	0.41	4	1310	1865	518	56	-20/+60
ALVRP350-4E	ALV5223	103	0.47	4	1195	2525	701	59	-20/+70

Features

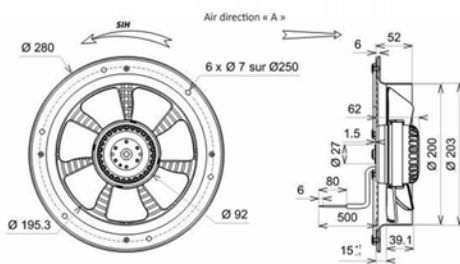
- High performance
- IP44 protection
- Suitable for ATM/Server rooms
- Speed controllable

Accessories

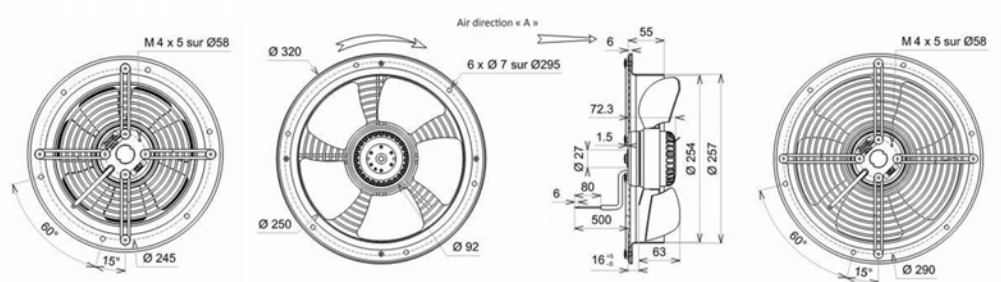
- Speed controllers (refer pg 56)
- Aluminium external grille (refer pg 52)

Dimensions

ALVRP200



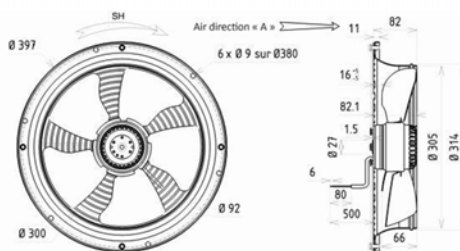
ALVRP250



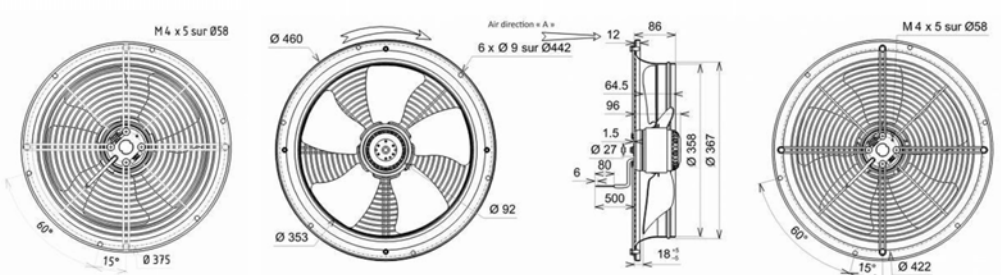
ALL DIMENSIONS ARE IN MM

ALL DIMENSIONS ARE IN MM

ALVRP300



ALVRP350



ALL DIMENSIONS ARE IN MM

ALL DIMENSIONS ARE IN MM

ROOF MOUNTED AXIAL FAN KITS



RCF Series
EXHAUST OR SUPPLY

Low profile roof exhaust/supply fan for domestic and light commercial applications.

Technical Data

Model	Code	Flow	Suits	Size	l/s	m ³ /hr	V	Hz	W	Phase 0	RPM	Dia 0	dBa@3m
ALVRCF-AE150MKIT	ALV701	Exhaust	Metal roof	150	70	328	240	50	35	1	2150	150	41
ALVRCF-AS150MKIT	ALV703	Supply	Metal roof	150	70	328			35		2150	150	41
ALVRCF-AE150TKIT	ALV702	Exhaust	Tile roof	150	70	328			35		2150	150	41
ALVRCF-AS150TKIT	ALV704	Supply	Tile roof	150	70	328			35		2150	150	41
ALVRCF-AE200MKIT	ALV720	Exhaust	Metal roof	200	142	511			37		1950	200	45
ALVRCF-AS200MKIT	ALV721	Supply	Metal roof	200	142	511			37		1950	200	45
ALVRCF-AE200TKIT	ALV722	Exhaust	Tile roof	200	142	511			37		1950	200	45
ALVRCF-AS200TKIT	ALV723	Supply	Tile roof	200	142	511			37		1950	200	45

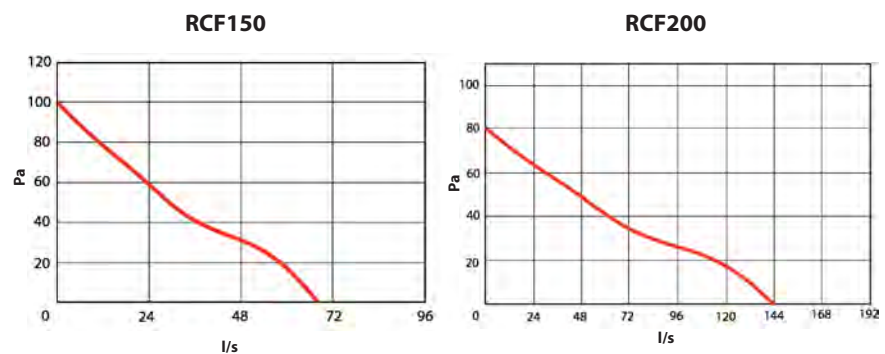
Features

- 150mm diameter x 600mm long metal tube
- 200mm diameter x 600mm long metal tube
- Low profile roof fan available as supply OR exhaust
- Fan incorporated in the cowl
- Aluminium cowl construction
- Pleasing aesthetics
- High quality for longevity of operation
- Low noise within premises
- Comes standard with metal roof Dektite
- Optional aluminium flashing available for tile roof application
- Fitted flex and plug
- Bushfire complaint models available

Accessories

- Internal grille (refer pg 50)
- Flexible duct (refer pg 53)
- Speed controllers (refer pg 56)

Performance Curves



ROOF MOUNTED CENTRIFUGAL FAN KITS



RCR Series

EXHAUST

Domestic and light commercial, centrifugal roof mounted fan kits for exhaust air. Supplied with a 600mm tube and flashing

Technical Data

Model	Code	Size	Airflow (m ³ /hr)	Suits
ALVRCR150MKIT	ALV16303	150mm	350	Metal roof
ALVRCR150TKIT	ALV16304	150mm	350	Tile roof
ALVRCR200MKIT	ALV16305	200mm	500	Metal roof
ALVRCR200TKIT	ALV16306	200mm	500	Tile roof
ALVRCR250MKIT	ALV16307	250mm	600	Metal roof
ALVRCR250TKIT	ALV16308	250mm	600	Tile roof

Features

- Aluminium cowl construction
- High Performance
- For metal-based or tiled roofs
- Backward curved impeller
- EC models available
- Fan incorporated in the cowl
- Optional aluminium flashing available

Accessories

- Internal grille (refer pg 50)
- Flexible duct (refer pg 53)
- Speed controllers (refer pg 56)

ROOF MOUNTED COWL KITS

RCK Series

EXHAUST OR SUPPLY

Domestic and light commercial, general purpose cowls used for relief air. Supplied with a 600mm tube and flashing.



Technical Data

Model	Code	Size	Suits
ALVRCK100MKIT	ALV704	100mm	Metal roof
ALVRCK100TKIT	ALV705	100mm	Tile roof
ALVRCK125MKIT	ALV706	125mm	Metal roof
ALVRCK125TKIT	ALV707	125mm	Tile roof
ALVRCK150MKIT	ALV708	150mm	Metal roof
ALVRCK150TKIT	ALV709	150mm	Tile roof
ALVRCK200MKIT	ALV710	200mm	Metal roof
ALVRCK200TKIT	ALV711	200mm	Tile roof
ALVRCK250MKIT	ALV712	250mm	Metal roof
ALVRCK250TKIT	ALV713	250mm	Tile roof
ALVRCK300MKIT	ALV714	300mm	Metal roof
ALVRCK300TKIT	ALV715	300mm	Tile roof

Features

- Aluminium cowl construction
- High quality for longevity of operation
- For metal-based or tiled roofs
- Bushfire rated kits available
- BAL12.5 & BAL29

Accessories

- Internal grilles (refer pg 50)
- Flexible duct (refer pg 53)
- Inline Fans

ROOF MOUNTED COWLS

SRC / VSRC

RELIEF VENTS



Supply and Exhaust roof mounted cowls. Vertical and Down discharge models available for various applications

Technical Data

Model	Code	Base Size (mm)	Flow Direction
SRC-0	ALV1500	260x260	Downflow
SRC-0+	ALV1501	330x330	Downflow
SRC-1	ALV1503	380x380	Downflow
SRC-2	ALV1504	530x530	Downflow
SRC-2+	ALV1502	530x530	Downflow
SRC-3	ALV1505	715x715	Downflow
SRC-4	ALV1506	840x840	Downflow
SRC-5	ALV1508	960x960	Downflow
SRC-6	ALV1510	1160x1160	Downflow
SRC-7	ALV1507	1160x1160	Downflow
VSRC-400	ALV16450	530x530	Vertical
VSRC-500	ALV1644	645x645	Vertical
VSRC-560	ALV16451	715x715	Vertical
VSRC-630	ALV16452	795x795	Vertical
VSRC-710	ALV1647	840x840	Vertical
VSRC-800	ALV1648	960x960	Vertical
VSRC-1000	ALV1646	1160x1160	Vertical
VSRC-1120	ALV16453	1420x1420	Vertical
VSRC-1250	ALV1661	1550x1550	Vertical
VSRC-1400	ALV16454	1750x1750	Vertical
VSRC-1500	ALV16455	1850x1850	Vertical

Features

- Bird mesh included
- Fibreglass cap for downflow type roof cowls
- Aluminium, galvanised or powder coated steel construction for vertical cowls
- Bushfire rated cowls available
- Round base cowls available



HIGH VOLUME AIR

HVLS Hyper Blade Series

AERODYNAMIC BLADES

A new range of high volume, low speed ceiling fans, equipped with EC motors, granting very high performance, low consumption and low noise emissions. Most effective for large environments such as warehouses, fitness centres, airports etc.



Technical Data

Model	Code	Ømm	V	W	Hz	A	m³/h	Kg
HVLS Hyper Blade 300/120" (M/T)	ALV61164 (M)	3000	240	410	50	1.7-5	61,400	76
	ALV61121 (T)	3000	415	500		0.9-1.8	66,200	76
HVLS Hyper Blade 400/160" (M/T)	ALV61165 (M)	4000	240	290		1.3-3.5	110,300	86
	ALV61122 (T)	4000	415	300		0.7-1.1	110,300	86
HVLS Hyper Blade 500/200" T	ALV61166	5000	415	730		1.2-1.9	205,000	126
HVLS Hyper Blade 600/240" T	ALV61167	6000	415	850		1.4-2.8	253,800	136
HVLS Hyper Blade 700/280" T	ALV61169	7000	415	790	1.3-2.5	330,800	156	

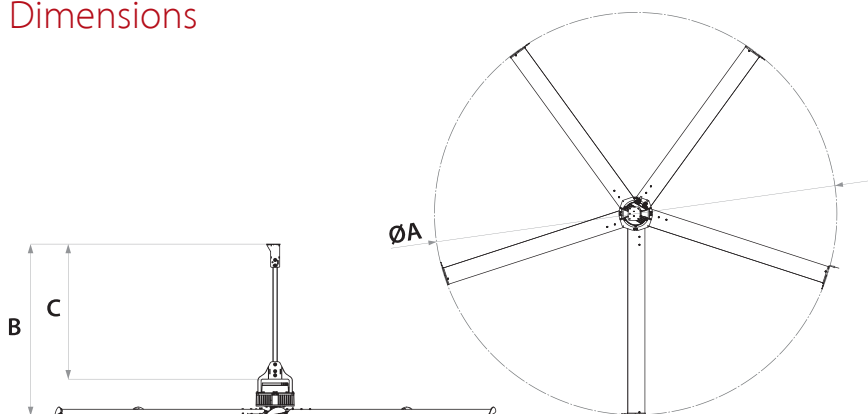
Features

- 5 x aerodynamic blades made from extruded aluminium
- Ultra high airflows (up to 330,800 m³/h) at very low speed
- Single/Three phase EC brushless motors
- Wide range of operating temperatures (-10°C/+50°C)
- Bracket and rod supplied with product
- Suitable for large areas where there is a need to move large volumes of air
- VORT T control unit (optional) can control up to 10 fans
- IP65 rated

Applications

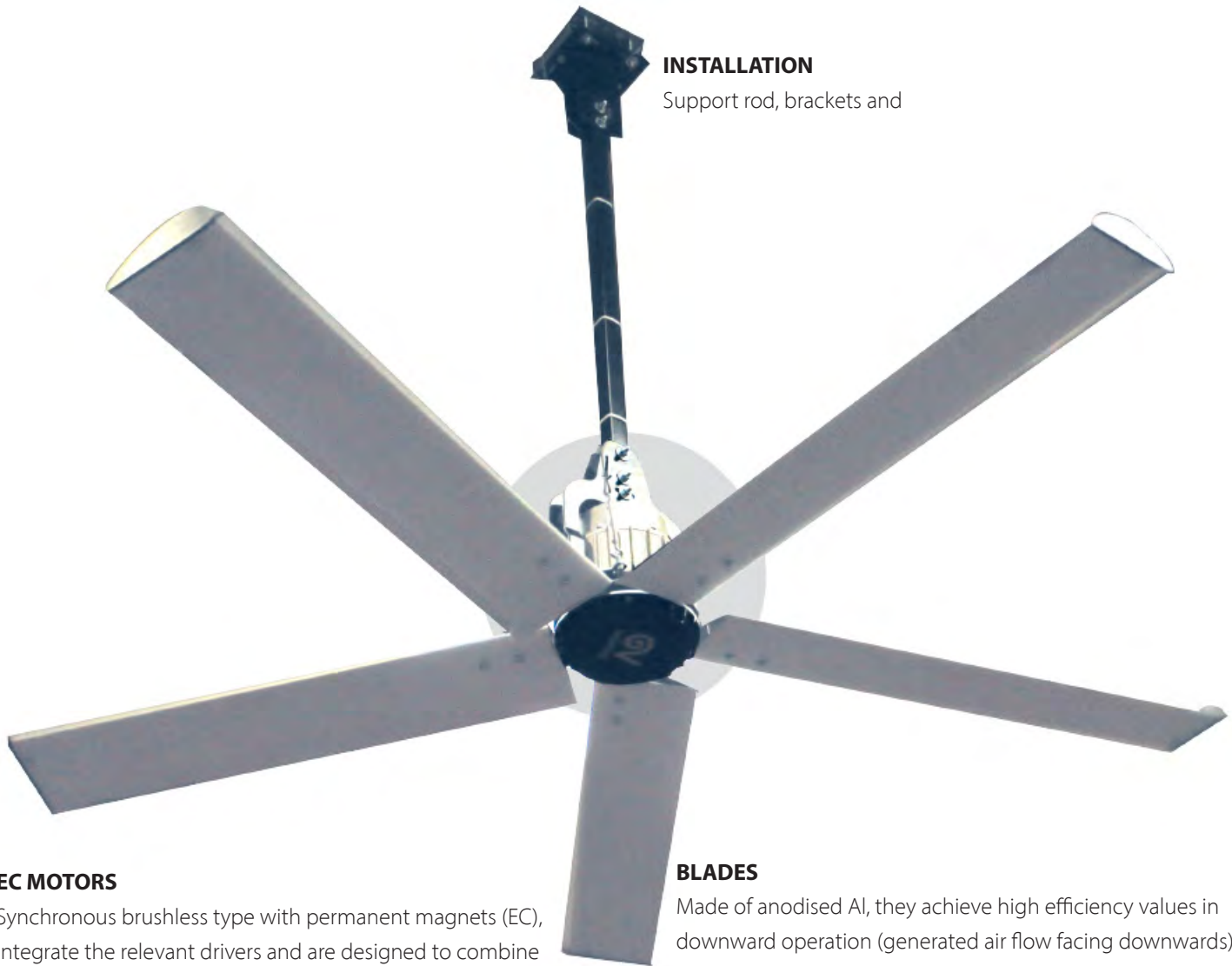
Nordik HVLS Hyper Blade at their most effective grant highly effective operation even when installed in tall ambients. Width of the ventilated area corresponds to approximately 3 times the nominal diameter of the fan. Especially suitable for installation in industrial sheds, large stores, cattlesheds/stables, airports, where there is a need to move large volumes of air. Wide range of operating temperatures (-10°/+50° C) allows proper operation in many alternative applications.

Dimensions



	ØA mm	*B mm	*C mm
HVLS Hyper Blade 300/120" (M/T)	2950	1995	1600
HVLS Hyper Blade 400/160" (M/T)	3950	1995	1600
HVLS Hyper Blade 500/200" T	4950	2015	1600
HVLS Hyper Blade 600/240" T	5950	2015	1600
HVLS Hyper Blade 700/280" T	6950	2015	1600

* Subject to confirmation

**INSTALLATION**

Support rod, brackets and

EC MOTORS

Synchronous brushless type with permanent magnets (EC), integrate the relevant drivers and are designed to combine high performance, proportionally reduced consumption and wide speed regulation ranges. M models are characterised by single-phase power supply (100-240 V / 50-60 Hz), T models by three-phase (200-480 V / 50-60 Hz).

BLADES

Made of anodised Al, they achieve high efficiency values in downward operation (generated air flow facing downwards) and ensure particularly low sound emission levels thanks to the sophisticated NACA aerodynamic profile. Each one mounts a wunglet to increase its aerodynamic efficiency, decreasing drag included by the tip vortices and containing the noise emissions.

Accessories

SUSPENSION TIE-ROD KIT - Optional kit including four tie-rods, designed to ensure a solid and safe installation. 3m extension rod for installation on high ceilings

VORT-T - Wire-connected control unit, with LCD display capable to manage up to 20 units, VORT T allows to automatically control the speed of the connected fans based on the readings of the temperature sensor and an optional anemometer, increasing or decreasing fan's speed according with the room temperature or, alternatively, based on the wind speed (for, useful for units installed in stables whose walls have wide outwards openings).

VA-10K-EC - Wall Mount 0-10V Manual Speed Controller



HIGH VELOCITY AIR

Air Curtain

REDUCED ENERGY COSTS



Air Curtains create an invisible barrier separating zones of different temperatures while preventing pollutants (dust, odours, smoke etc) and insects entering your work environment.



Technical Data

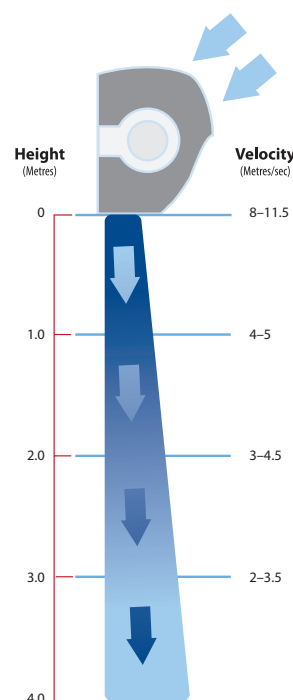
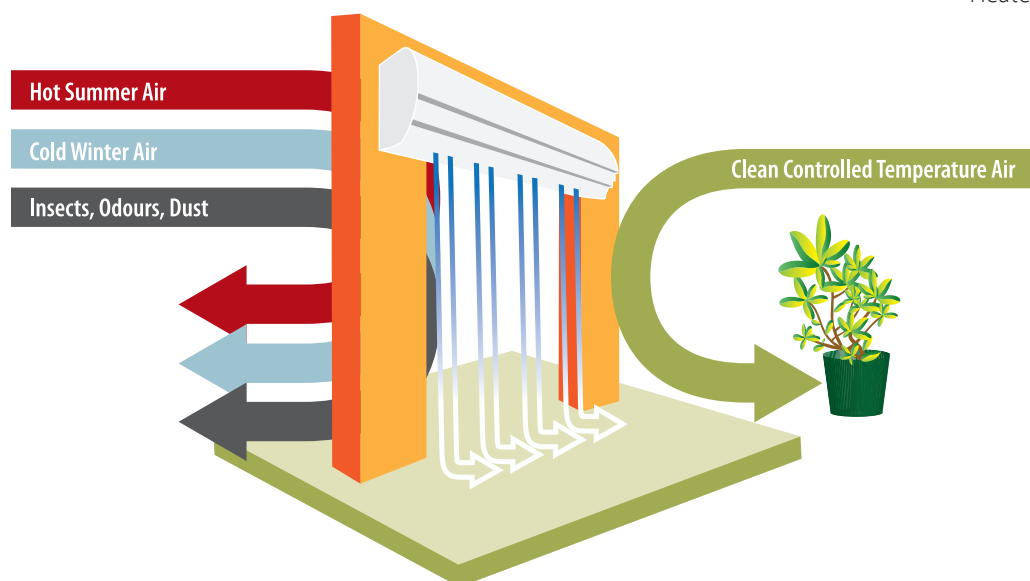
Model	Code	Weight kg	V	Hz	Watts		Air Flow (m ³ /h)		dBA @ 3m		Dimensions W x H x D (mm)
					Min	Max	Min	Max	Min	Max	
AD900	ALV65195	10	230	50	110	160	1100	1400	51	53	900x220x190
AD1200	ALV65196	12.5	230	50	150	200	1600	1900	52	54	1200x220x190
AD1500	ALV65197	15.5	230	50	180	230	2000	2500	53	55	1500x220x190
AD2000	ALV65198	20.5	230	50	300	350	2900	3600	55	57	2000x220x190

Features

- Elegant and modern design suitable for even the most high tech settings
- Brushed aluminium frontage with integrated intake grille and rear panel in black painted sheet metal
- IR remote control
- Two operating speeds
- Tangential fans for quiet operation
- Base opening allows air to escape
- Adjustable outlet vanes can direct outgoing stream of air as desired
- Fitted flex and plug
- Heated and Recessed models available

Allvent stock the 2000mm wide Air Curtain unit.

The cost efficient solution for wider doorways!





Summer Cooling

Industrial Pedestal, Wall and Floor Fans	94
Gordon Fan	95



PEDESTAL, WALL AND PORTABLE FLOOR

Industrial Fan Range

AFFORDABLE AIR CIRCULATION

Industrial fans that provide high economical air circulation. Wall and Floor mounted options.



Features

- 3 speed motor with low wattage
- 90° deg oscillation
- Quick release clip chrome guards
- Pull cord on wall-mount fan (WMF45 only)
- 3 blade, high volume
- 3 pin plug fitted

Pedestal Fan Technical Data

Model	Code	Size (mm)	Blades	V	Hz	W	RPM	m ³ /hr
ALVPMF-65	ALV801	650	2	240	50	210	1400	12,300
ALVPMF-75	ALV802	750	2	240	50	280	1400	17,400



Portable Floor Fan Technical Data

Model	Code	Size (mm)	Blades	V	Hz	W	RPM	m ³ /hr
ALVFD-40	ALV803	400	3	240	50	110	1350	4920



Wall Mounted Fan Technical Data

Model	Code	Size (mm)	Blades	V	Hz	W	RPM	m ³ /hr	dBA		
									1	2	3
ALVWMF45	ALV806	450	3	240	50	120	1400	9000	50	55	60
ALVWMF65	ALV804	650	2	240	50	210	1400	12,300	55	60	68
ALVWMF75	ALV805	750	2	240	50	280	1400	17,400	58	70	75

WALL MOUNTED

Gordon Fan

OSCILLATING



The Gordon oscillating fan is suitable for domestic applications in kitchens, bathrooms, and delicately designed for offices, shops, restaurants and bars.



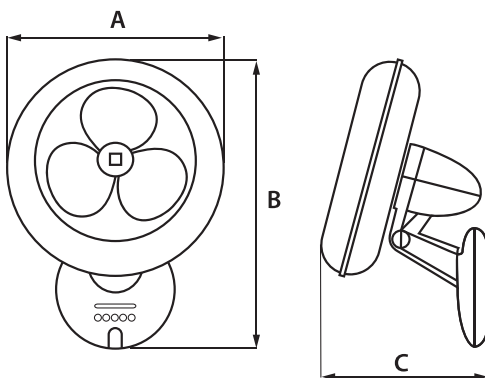
Technical Data

Model	Code	Mount	V	W	A	Speeds	m ³ /hr	Colour
GORDON W 40/16" ET	ALV60641	Wall	240	40	0.19	3	4000	White
GORDON 30/12"	ALV60610	Table	240	35	0.18	3	2400	White
GORDON EVO 20/8"	ALV60618	Table	240/24	14	0.4	4	1200	Grey
GORDON EVO 20/8" R	ALV60617	Table	240/24	14	0.4	4	1200	Rose
GORDON EVO 30/12"	ALV60624	Table	240/24	22	0.7	4	2340	Grey
GORDON EVO 40/16"	ALV60625	Table	240/24	24	0.8	8	2640	Grey
GORDON EVO C 40/16"	ALV60623	Floor	240/24	24	0.8	8	2640	Grey

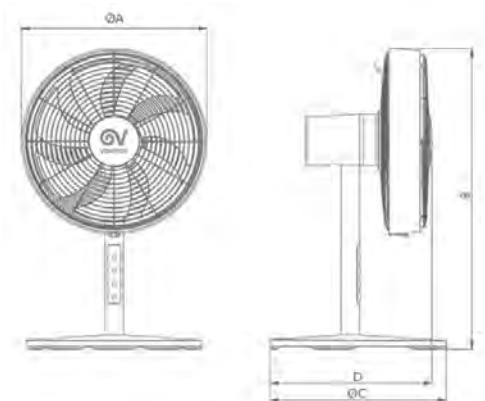
Features

- Made from shockproof thermoplastic resin
- Removeable protective grille for easy cleaning
- Fan head can be orientated
- Oscillating angle can be adjusted by 90°
- Remote control
- EVO models fitted with timer & DC brushless motor
- EVO models fitted with touch buttons with LED lights, with 24V power supply with plug

Dimensions



	A	B	C
GORDON W 40/16" ET	458	570.5	302.5



	A	B	C	D
GORDON 30/12"	364	523.5	-	302.6
GORDON EVO 20/8"	254	461	254	240
GORDON EVO 20/8" R	254	461	254	240
GORDON EVO 30/12"	348	565	330	303
GORDON EVO 40/16"	456	684	330	304
GORDON EVO C 40/16"	456	1682.5	380	238



Winter Heating

Thermologika Grigio	98
Thermologika A	99
Thermologika Soleil Plus	100
Microrapid	101

INFRARED WALL HEATERS

Thermologika Grigio

COMMERCIAL AND DOMESTIC APPLICATIONS



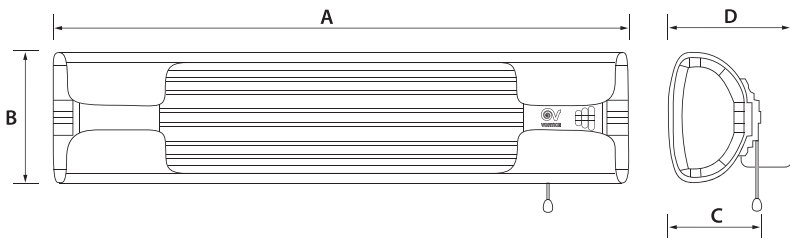
Thermologika Grigio is suitable for domestic and commercial applications when instant heat is necessary or in places with direct or continuous contact with the outside.



Technical Data

Model	Code	V	Hz	W	A	Kg	IP
Thermologika Grigio	ALV70004	240	50	1800	7.8	2.4	IPX4

Dimensions



	A	B	C	D
Thermologika Grigio	570	132	84	124

Features

- Die-cast aluminium end sections with painted finish
- Casing sections: pressed steel with painted finish
- Grille fashioned with stainless steel rods
- 3 x infrared bar, each rated 600 W. Single bars can be controlled from remote switches.
- Pull cord switches for on/off control and heat output settings.
- Wall-mounted installation using bracket provided.
- Facility for connecting two bars in series or in parallel.

INFRARED WALL HEATERS

Thermologika A

COMMERCIAL AND DOMESTIC APPLICATIONS



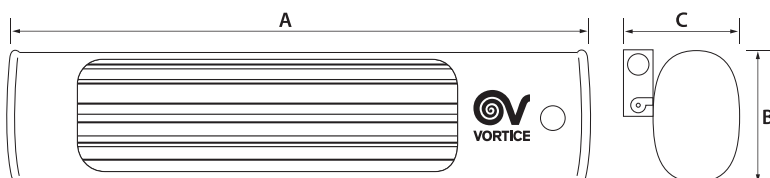
Thermologika A is suitable for domestic and commercial applications when instant heat is necessary or in places with direct or continuous contact with the outside.



Technical Data

Model	Code	V	Hz	W	A	Kg	IP
Thermologika A	ALV70015	240	50	1800	7.8	1.6	IPX4

Dimensions



	A	B	C
Thermologika A	540	123	100

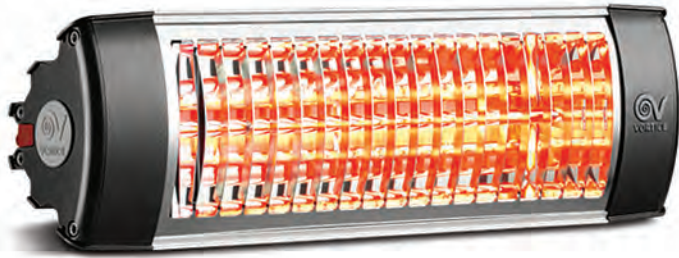
Features

- Wall installation with compact dimension
- Ensures immediate comfort
- No moving parts, maximum silence
- Heat up time approx. 30 seconds
- Choice of 3 power outputs with a pull switch
- Can be switched on and off remotely
- Easy installation and maintenance
- Adjust to direct heat where needed

INFRARED WALL HEATERS

Thermologika Soleil Plus

FOR INDOOR OR OUTDOOR USE



Thermologika is suitable for domestic and commercial applications when instant heat is necessary or in places with direct or continuous contact with the outside.



Technical Data

Model	Code	V	Hz	W	A	Kg	IP
Thermologika Soleil Plus	ALV70070	230	50	1500	6.5	2.3	IP65

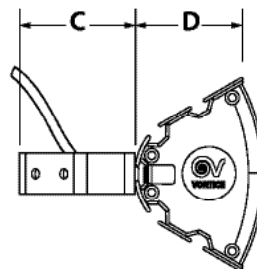
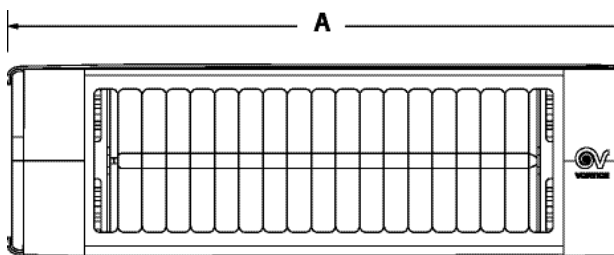
Features

- Heat concentrated to target areas
- Wall or ceiling installation, horizontally or vertically
- Grille is sheered, bent, aluminium sheet
- Casing is extruded aluminium with epoxy polyester resin paint
- Lamp: Halogen HeLen technology, highly efficient, long lasting
- Strong and lightweight
- Immediate heat delivery
- High radiating efficiency

Soleil Plus Accessories

Model	Code
Accessory Kit	ALV22970
Heat Controller	ALV22974

Dimensions



	A	B	C	D
Thermologika Soleil Plus	453	138	93	83

COMPACT WALL-MOUNTED FAN HEATERS

Microrapid Range

SAFE, STURDY, STYLISH

Microrapid series are particularly user-friendly while improving operational safety. They are intended for primary heating in situations where there is no central heating or it is undersized.



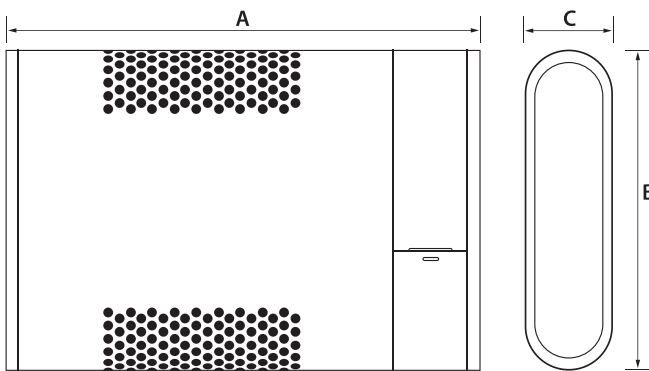
Technical Data

Model	Code	V	Hz	W	A	Kg	IP
Microrapid T 600V0	ALV70653	240	50	300/600	2.6	3	IPX4
Microrapid T 2000V0	ALV70681			800/1200/2000	8.7	4.2	

Features

- Small dimensions: ideal for cramped areas
- Splash protected, installation into damp environments
- Selectable heating power
- Extremely silent
- Inbuilt timer has a daily/weekly digital programmer
- Resin parts have high mechanical strength at high temperatures
- V0 self-extinguishing plastic

Dimensions



	A	B	C
Microrapid T 600V0	433	258	109
Microrapid T 2000V0	633	258	109



Hygiene

Vortice Super Dry UV B	104
Vortice Optimal Dry-R	104
Dolphin BC2400PA/PS	105
Dolphin BC1800W	105
Dolphin BC2200W	106
Dolphin BC2001	106
Dolphin BC2002	107
Dolphin BC2008	107



VORTICE HAND DRYER

Super Dry UV B

ENERGY SAVING

Features

- Cabinet moulded in self-extinguishing ABS
- Steel wall-mounting flange
- EC brushless motor with thermal overload protection and shaft turning in ball bearings
- Heating element ON/OFF: a switch on the left hand side can be turned off to save energy in warmer environments.
- Germicidal capability thanks to UV lamp
- Dryer stops immediately when hands are withdrawn.
- Protection against vandalism: automatic shutoff after 25 seconds of continuous operation.
- Protection against overheating, overload and short-circuit.
- Drip collection tank
- HEPA filter
- Hard wired
- Spare parts available

Technical Data

Model	Code	V	W	W motor	A max	Lp dB(A) 1m
VORT Super Dry UVB White	ALV70907	240	1650/2050	750	8.7	76
VORT Super Dry UVB Silver	ALV70908					



VORTICE HAND DRYER

Optimal Dry-R

ELEGANT DESIGN AND VANDAL RESISTANT

Features

- Front cover moulded in thermosetting impact-resistant plastic, white
- Wall-mounting flange incorporating warm air outlet grille of moulded plastic (PP)
- EC motor with thermal overload cutout
- Heating element protected by 2 devices: thermal fuse and resettable thermal overload limiter
- Air flow 170m³/h
- Dryer operated automatically by an infrared device with activation distance of up to 35 cm
- Dust filter
- IMQ safety certification
- Hard wired
- Spare parts available

Technical Data

Model	Code	V	W	W motor	A max	Lp dB(A) 1m
VORT Optimal Dry R	ALV19227	240	2000	65	9	61.4



Technical Data

Model	Code	Dimensions (mm)
ALVBC2400PA	ALV1007	H 248 x W 284 x D 202
ALVBC2400PS	ALV1009	H 248 x W 284 x D 202

DOLPHIN HAND DRYER

BC2400PA/PS

HIGH AIR FLOW

Features

- Casing: 2.0mm thick, porcelain enamel coated steel
- Nozzle: Chrome plated zinc
- Brush motor: 2400W, 5500rpm
- Designed with 105°C thermostat
- Heater assembly: Designed with 65°C thermostat
- Air flow rate 345 m³/h (202 CFM)
- Sound level : 70 ± 3 db
- Approximately 20–25 seconds drying time
- Adjustable sensitive distance of sensor from 10 to 30cm
- Power cut-off automatically in case of irregular use over 120 seconds
- 2 vandal proof lock screws and key wrench
- 5 year manufacturer's warranty
- Includes loose flex and plug
- Spare parts available



Technical Data

Model	Code	Dimensions (mm)
ALVBC1800W	ALV1001	H 220 x W 248 x D 170

DOLPHIN HAND DRYER

BC1800W

ECONOMICAL

Features

- Two year guarantee
- Die-cast white metal cover for strength and durability
- Superior technical design – dual thermal overload protection on motor and heating element
- Certification of Compliance to foremost international safety standards and performance standards
- 'No touch' operation by electronic infra-red sensor maximises hygiene and economy of operation
- Fully automatic operation switches off within 3 seconds of hand removal – infra-red sensor
- Power rating: heating element 1700W
- 100w brushless motor (3450 rpm)
- Sound level: 63 +/- 3dB
- Includes loose flex and plug
- Spare parts available



DOLPHIN HAND DRYER

BC2200W
STYLISH AND ROBUST



Features

- Two year guarantee
- Choose from die-cast white metal cover or polished chrome plated die-cast aluminium cover for strength and durability even in high corrosion environments such as swimming pools
- Superior technical design – dual thermal overload protection on motor and heating element
- Certification of Compliance to foremost international safety standards and performance standards
- ‘No touch’ operation by electronic infra-red sensor maximises hygiene and economy of operation
- Fully automatic operation switches off within 3 seconds of hand removal – infra-red sensor
- Power rating: heating element 2100W
- 100W induction motor
- Includes loose flex and plug
- Spare parts available

Technical Data

Model	Code	Dimensions (mm)
ALVBC2200W - Die cast white metal	ALV1002	H 210 x W 320 x D 175



DOLPHIN HAND DRYER

BC2001
VELOCITY HIGH SPEED



Features

- Two year guarantee
- Auto resetting thermostat
- 1600W dryer
- 700W motor
- 900W heating element
- Automatic infrared sensor
- Adjustable air speed: 75–100m/second
- Dries hands in less than 10 seconds
- Auto shut off in 60 seconds
- Air output to 100m/second
- Low energy usage – reduces power consumption by up to 70%
- Includes loose flex and plug
- Spare parts available

Technical Data

Model	Code	Dimensions (mm)	Finish
ALVBC2001	ALV1003	H 301 x W 230 x D 189	Satin stainless steel



DOLPHIN HAND DRYER

BC2002

STYLISH AND ENERGY EFFICIENT

Features

- Two year guarantee
- Quality 304 Grade stainless steel body
- Operating power of only 1000W (500W heating element) saving 80% of user's energy costs
- Smallest dryer in the range – less than half the size of equivalent high speed dryers
- Infrared, self adjusting sensor: 51mm–254mm range
- Dryer delivers 101.7m³/hour (90m/s)
This dries hands in 10–15 seconds, reducing CO₂ emissions.
- 2,900 rpm brush motor
- 55°C air output temperature
- Includes loose flex and plug
- Spare parts available

Technical Data

Model	Code	Dimensions (mm)	dBA	Finish
ALVBC2002	ALV1004	H 230 x W 246 x D 145	75	Satin stainless steel



DOLPHIN HAND DRYER

BC2008

INCREDIBLY COMPACT WITH LOW NOISE

Features

- Touch free for ultimate hygiene
- 304 Stainless Steel, brushed satin finish
- Also available in white metal finish or with powder coating in any RAL colour
- 10 seconds drying time
- Compact dimensions
- Operates at 250–500 Watts
- HEPA filter available, reducing spread of dust particles
- Sound level 76.6 dB @ 1 metre
- Includes loose flex and plug
- Spare parts available

Technical Data

Model	Code	Dimensions (mm)	dBA	Finish
ALVBC2008	ALV1006	H 270 x W 162 x D 101	76	Satin stainless steel

INDEX

Model	Code	Pg
930.8	ALV9308	56
ACH580-01-018A-4+B056	ALV153	57
ACH580-01-026A-4+B056	ALV154	57
ACH580-01-02A7-4+B056	ALV155	57
ACH580-01-033A-4+B056	ALV155	57
ACH580-01-039A-4+B056	ALV157	57
ACH580-01-03A4-4+B056	ALV158	57
ACH580-01-046A-4+B056	ALV159	57
ACH580-01-04A1-4+B056	ALV162	57
ACH580-01-05A7-4+B056	ALV163	57
ACH580-01-062A-4+B056	ALV164	57
ACH580-01-073A-4+B056	ALV150	57
ACH580-01-07A3-4+B056	ALV165	57
ACH580-01-088A-4+B056	ALV151	57
ACH580-01-09A5-4+B056	ALV166	57
ACH580-01-12A7-4+B056	ALV167	57
AD1200	ALV65196	92
AD1500	ALV65197	92
AD2000	ALV65198	92
AD900	ALV65195	92
A-E252M	ALV42207	84
A-E254M	ALV42208	84
A-E304M	ALV42216	84
A-E354M	ALV42258	84
A-E404M	ALV42260	84
A-E454M	ALV42307	84
A-E504M	ALV42316	84
A-E506M	ALV42337	84
A-E566M	ALV42356	84
AFA Series	-	72
AH100	ALV22796	58
AH125	ALV22797	58
AH150	ALV22759	58
AH200	ALV22790	58
AH250	ALV22791	58
AH315	ALV22792	58
ALV150ATS KIT1	ALV912	41
ALV150ATS KIT2	ALV913	41
ALV200ATSKIT3	ALV920	41
ALVA100	ALV112	17
ALVA40	ALV109	17
ALVA40 Kit	ALV904	38
ALVA60	ALV110	17
ALVA60 Kit	ALV905	38
ALVA60 Kit	ALV9030	38
ALVA60ATKIT1A	ALV909	40
ALVA80	ALV111	17
ALVBC1800W	ALV1001	105
ALVBC2001	ALV1003	106
ALVBC2002	ALV1004	107
ALVBC2008	ALV1006	107

Model	Code	Pg
ALVBC2200W	ALV1002	106
ALVBC2400PA	ALV1007	105
ALVBC2400PS	ALV1009	105
ALVBD10	ALV339	55
ALVBD12	ALV356	55
ALVBD15	ALV357	55
ALVBD20	ALV358	55
ALVBD25	ALV359	55
ALVBD30	ALV360	55
ALVBOX974	ALV2550	52
ALVBOX975	ALV257	52
ALVBOX976	ALV258	52
ALVBTO10106	ALV566	54
ALVBTO10108	ALV182	54
ALVBTO12128	ALV5661	54
ALVBTO666	ALV183	54
ALVBTO886	ALV1833	54
ALVC1-BOX150	ALV5200	55
ALVC1-BOX200	ALV5201	55
ALVC1-BOX250	ALV5202	55
ALVC1-BOX300	ALV5203	55
ALVC3-LVH44C-150	ALV5206	55
ALVCG100	ALV227	50
ALVCG125	ALV228	50
ALVCG150	ALV229	50
ALVCG200	ALV230	50
ALVCON10	ALV325	54
ALVCON12	ALV326	54
ALVCON15	ALV327	54
ALVCON20	ALV328	54
ALVCON25	ALV329	54
ALVCON30	ALV330	54
ALVDBTO10666	ALV331	53
ALVDBTO10888	ALV314	53
ALVDBTO12888	ALV4460	53
ALVDBTO6666	ALV388	53
ALVDBTO8666	ALV313	53
ALVDG100	ALV201	52
ALVDG1212	ALV299	52
ALVDG125	ALV202	52
ALVDG126	ALV300	52
ALVDG150	ALV203	52
ALVDG1818	ALV340	52
ALVDG186	ALV341	52
ALVDG2012	ALV342	52
ALVDG2410	ALV285	52
ALVDG2412	ALV344	52
ALVDG2416	ALV315	52
ALVDG2418	ALV346	52
ALVDG2424	ALV347	52
ALVDG244	ALV348	52

Model	Code	Pg
ALVDG246	ALV359	52
ALVDG246	ALV284	52
ALVDJ10	ALV319	54
ALVDJ12	ALV320	54
ALVDJ15	ALV321	54
ALVDJ20	ALV322	54
ALVDJ25	ALV323	54
ALVDJ30	ALV324	54
ALVEG100	ALV211	49
ALVEG125	ALV212	49
ALVEG150	ALV213	49
ALVEG200	ALV214	49
ALVER 1250	ALV80106	35
ALVER 150	ALV80100	35
ALVER 250	ALV80101	35
ALVER 350	ALV80102	35
ALVER 450	ALV80103	35
ALVER 650	ALV80104	35
ALVER 950	ALV80105	35
ALVERG121210	ALV393	50
ALVERG121212	ALV395	50
ALVERG666	ALV219	50
ALVERG886	ALV220	50
ALVERG888	ALV221	50
ALVEURO 10WR	ALV218	50
ALVEURO 10WRC	ALV225	50
ALVEURO 12WRC	ALV226	50
ALVEURO 4PEG	ALV238	50
ALVEURO 4WG	ALV234	51
ALVEURO 4WGS	ALV231	51
ALVEURO 4WRC	ALV222	50
ALVEURO 5PEG	ALV239	50
ALVEURO 5WG	ALV235	51
ALVEURO 5WGS	ALV232	51
ALVEURO 5WRC	ALV384	50
ALVEURO 6PEG	ALV240	50
ALVEURO 6WG	ALV236	51
ALVEURO 6WGS	ALV233	51
ALVEURO 6WR	ALV216	50
ALVEURO 6WRC	ALV223	50
ALVEURO 8WG	ALV237	51
ALVEURO 8WGS	ALV260	51
ALVEURO 8WR	ALV217	50
ALVEURO 8WRC	ALV224	50
ALVFB100	ALV22793	58
ALVFB125	ALV22794	58
ALVFB150	ALV22799	58
ALVFB200	ALV22787	58
ALVFB250	ALV22788	58
ALVFCG150	ALV810	46
ALVFD-40	ALV803	94

INDEX

Model	Code	Pg
ALVGG100	ALV204	49
ALVGG125	ALV205	49
ALVGG150	ALV206	49
ALVGG200	ALV207	49
ALVHBF100-4	ALV105	15
ALVHBF100-4T	ALV141	15
ALVHBF150-6	ALV106	15
ALVHBF150-6T	ALV140	15
ALVHF3100	ALV401	53
ALVHF3125	ALV402	53
ALVHF3150	ALV403	53
ALVHF3200	ALV404	53
ALVHF6100	ALV405	53
ALVHF6125	ALV406	53
ALVHF6150	ALV407	53
ALVHF6200	ALV408	53
ALVHF6250	ALV409	53
ALVHF6300	ALV410	53
ALVHF6350	ALV411	53
ALVHG100	ALV208	49
ALVHG125	ALV209	49
ALVHG150	ALV210	49
ALVIFDR10	ALV505	55
ALVIFDR12	ALV506	55
ALVIFDR4	ALV501	55
ALVIFDR5	ALV502	55
ALVIFDR6	ALV503	55
ALVIFDR8	ALV504	55
ALVIFDS1212	ALV509	55
ALVIFDS1818	ALV510	55
ALVIFDS2020	ALV511	55
ALVIFDS2424	ALV512	55
ALVIFDS66	ALV507	55
ALVIFDS88	ALV508	55
ALVINS6150	ALV412	53
ALVINS6200	ALV413	53
ALVINS6250	ALV414	53
ALVINS6300	ALV415	53
ALVINS6350	ALV416	53
ALVMFI150ATKIT1	ALV901	40
ALVMFI150ATKIT2	ALV902	40
ALVMFI200 Kit	ALV9033	38
ALVMFI200ATKIT2	ALV9110	40
ALVMFI200ATKIT3	ALV9114	40
ALVPHG100	ALV262	51
ALVPHG125	ALV263	51
ALVPHG150	ALV264	51
ALVPKT1	ALV1910	43
ALVPKT2	ALV1911	43
ALVPKT3	ALV1912	43
ALVPMF-65	ALV801	94

Model	Code	Pg
ALVPMF-75	ALV802	94
ALVRFC-AE150MKIT	ALV701	86
ALVRFC-AE150TKIT	ALV702	86
ALVRFC-AE200MKIT	ALV720	86
ALVRFC-AE200TKIT	ALV722	86
ALVRFC-AS150MKIT	ALV703	86
ALVRFC-AS150TKIT	ALV704	86
ALVRFC-AS200MKIT	ALV721	86
ALVRFC-AS200TKIT	ALV723	86
ALVRCK100MKIT	ALV704	88
ALVRCK100TKIT	ALV705	88
ALVRCK125MKIT	ALV706	88
ALVRCK125TKIT	ALV707	88
ALVRCK150MKIT	ALV708	88
ALVRCK150TKIT	ALV709	88
ALVRCK200MKIT	ALV710	88
ALVRCK200TKIT	ALV711	88
ALVRCK250MKIT	ALV712	88
ALVRCK250TKIT	ALV713	88
ALVRCK300MKIT	ALV714	88
ALVRCK300TKIT	ALV715	88
ALVRCR150MKIT	ALV16303	87
ALVRCR150TKIT	ALV16304	87
ALVRCR200MKIT	ALV16305	87
ALVRCR200TKIT	ALV16306	87
ALVRCR250MKIT	ALV16307	87
ALVRCR250TKIT	ALV16308	87
ALVRED10-12	ALV301	53
ALVRED10-15	ALV302	53
ALVRED12-15	ALV303	53
ALVRED15-20	ALV304	53
ALVRED20-25	ALV305	53
ALVRED25-30	ALV306	53
ALVREF150-A	ALV192	14
ALVREF150-A-T F&P	ALV1923	14
ALVRFCG150	ALV813	47
ALVRP200-4E	ALV5220	85
ALVRP250-4E	ALV5221	85
ALVRP300-4E	ALV5222	85
ALVRP350-4E	ALV5223	85
ALVRWL150	ALV246	52
ALVRWL200	ALV247	52
ALVRWL250	ALV248	52
ALVRWL300	ALV249	52
ALVRWL350	ALV250	52
ALVRWL400	ALV251	52
ALVSCG150	ALV811	48
ALVSFE9712	ALV252	28
ALVSFE9724	ALV253	28
ALVSFS9712	ALV254	28
ALVSFS9724	ALV255	28

Model	Code	Pg
ALVSLIM4A	ALV11287	9
ALVSLIM4A Kit	ALV906	39
ALVSLIM5A	ALV11288	9
ALVSLIM5A Kit	ALV914	39
ALVSLIM6A	ALV11289	9
ALVSLIM6A Kit	ALV907	39
ALVSRF100	ALV428	53
ALVSRF125	ALV429	53
ALVSRF150	ALV430	53
ALVSRF200	ALV431	53
ALVUF12A23-SWH	ALV115	18
ALVUF16FC23-BTHD	ALV116	18
ALVUF18JC23-BTHD	ALV117	18
ALVUF80A23-BTH	ALV113	18
ALVUF92A23-BTH	ALV114	18
ALVURK125MKIT	ALV9115	44
ALVURK125TKIT	ALV9117	44
ALVURK150MKIT	ALV9116	44
ALVURK150TKIT	ALV9118	44
ALVVA1200	ALV604	56
ALVVA2400	ALV605	56
ALVVA500	ALV606	56
ALVVA700	ALV603	56
ALVWMF45	ALV806	94
ALVWMF65	ALV804	94
ALVWMF75	ALV805	94
ALVWPL15	ALV242	52
ALVWPL20	ALV243	52
ALVWPL225x175	ALV241	52
ALVWPL25	ALV244	52
ALVWPL30	ALV245	52
ALVWPL35	ALV398	52
ALVWPL40	ALV399	52
ALVWPL45	ALV400	52
ALVWPL50	ALV1519	52
ALVY10	ALV307	53
ALVY1088	ALV317	54
ALVY12	ALV308	53
ALVY121010	ALV318	54
ALVY15	ALV309	53
ALVY20	ALV310	53
ALVY25	ALV311	53
ALVY30	ALV312	53
ALVY644	ALV315	54
ALVY866	ALV316	54
ALVZNE	ALV0342	56
Automatic Air Inlet 400	ALV91012	58
AVICS315-4DD	ALV8804	74
AVICS315-4EE	ALV8806	74
AVICS315-6EE	ALV820	74
AVICS355-4DD	ALV8807	74

INDEX

Model	Code	Pg
AVICS355-4EE	ALV8808	74
AVICS355-6EE	ALV8813	74
AVICS400-4DD	ALV8811	74
AVICS400-4EE	ALV8803	74
AVICS400-6DD	ALV8812	74
AVICS400-6EE	ALV8814	74
AVICS450-4DD	ALV8815	74
AVICS450-4EE	ALV8816	74
AVICS450-6DD	ALV8817	74
AVICS450-6EE	ALV8818	74
AVICS500-4DD	ALV8819	74
AVICS500-4EE	ALV8820	74
AVICS500-6DD	ALV8821	74
AVICS500-6EE	ALV8822	74
AVICS560-4DD	ALV8823	74
AVICS560-6DD	ALV8824	74
AVICS560-6EE	ALV8810	74
AVICS630-4DD	ALV8825	74
AVICS630-6DD	ALV8826	74
AVICS630-8DD	ALV8827	74
AVICS710-6DD	ALV8828	74
AVICS710-8DD	ALV8829	74
AVKV190-VEE	ALV812	78
AVKV250-4EE	ALV814	78
AVKV315-4DD	ALV815	78
AVKV315-4EE	ALV820	78
AVKV315-6EE	ALV821	78
AVKV355-4DD	ALV818	78
AVKV355-4EE	ALV822	78
AVKV355-6EE	ALV823	78
AVKV400-4DD	ALV891	78
AVKV400-4EE	ALV824	78
AVKV400-6DD	ALV892	78
AVKV400-6EE	ALV825	78
AVKV450-4DD	ALV893	78
AVKV450-4EE	ALV827	78
AVKV450-6DD	ALV894	78
AVKV450-6EE	ALV828	78
AVKV500-4DD	ALV830	78
AVKV500-4EE	ALV897	78
AVKV500-6DD	ALV831	78
AVKV500-6EE	ALV898	78
AVKV560-4DD	ALV833	78
AVKV560-6DD	ALV834	78
AVKV560-6EE	ALV8990	78
AVKV560-8DD	ALV835	78
AVKV630-4DD	ALV836	78
AVKV630-6DD	ALV837	78
AVKV630-8DD	ALV838	78
AVKV710-6DD	ALV839	78
AVKV710-8DD	ALV840	78

Model	Code	Pg
BSX	ALV0240	56
C HCS	ALV12994	56
C PIR	ALV12998	56
C SMOKE	ALV12993	56
C TEMP	ALV12992	56
C TIMER	ALV12999	56
C0.5	ALV12987	56
C1.5	ALV12966	56
C2.5	ALV12967	56
CA100 WE D	ALV16091	13
CA100MD	ALV16150	19
CA125 WE D	ALV16092	13
CA125MD	ALV16151	19
CA150 WE D	ALV16087	13
CA150MD	ALV16153	19
CA200 WE D	ALV16089	13
CA200MD	ALV16155	19
CA250MD	ALV16156	19
CA315MD	ALV16157	19
CA-FU100	ALV22667	54
CA-FU125	ALV22668	54
CA-FU150	ALV22669	54
CA-FU200	ALV22671	54
CA-FU250	ALV22672	54
CA-FU315	ALV22673	54
CDF12/12/2	ALV2002	60
CDF12/20/2	ALV2003	60
CDF12/24/2	ALV2004	60
CDF16/16/2	ALV2009	60
CDF16/24/2	ALV2012	60
CDF18/18/2	ALV2031	60
CDF18/24/2	ALV2017	60
CDF20/20/2	ALV2020	60
CDF24/24/2	ALV2026	60
CDF25/25/2	ALV2028	60
CO3800	ALV119	69
CREN	ALV12944	56
DRC190-2E	ALV842	80
DRC220-2E	ALV844	80
DRC220-4E	ALV846	80
DRC280-4E	ALV864	80
DRC280-6E	ALV865	80
DRC315-4E	ALV867	80
DRC315-6E	ALV866	80
DRC355-4E	ALV868	80
DRC355-6E	ALV869	80
DRC400-4E	ALV870	80
DS2	ALV1351	56
DSEL2	ALV0239	56
ESA1	ALV0238	56
Firecat 12V	ALV139	69

Model	Code	Pg
FSD160	ALV22756	58
FSD200	ALV22784	58
FSD250	ALV22785	58
FSD315	ALV22786	58
GGR100	ALV22332	51
GGR120/125	ALV22333	51
GGR150	ALV22334	51
GGR200	ALV22335	51
GGR250	ALV22336	51
GGR315	ALV22337	51
GORDON 30/12"	ALV60610	95
GORDON EVO 20/8"	ALV60618	95
GORDON EVO 20/8" R	ALV60617	95
GORDON EVO 30/12"	ALV60624	95
GORDON EVO 40/16"	ALV60625	95
GORDON EVO C 40/16"	ALV60623	95
GORDON W 40/16" ET	ALV60641	95
H3-315	ALV22779	58
HC-EC	ALV750	67
HR300 NET1	ALV10935	32
HR350 AVEL	ALV12106	33
HR450 AVEL D	ALV12101	34
HV200	ALV0957	8
HV250	ALV0958	8
HVLS Hyper Blade 300/120" M	ALV61164	90
HVLS Hyper Blade 300/120" T	ALV61121	90
HVLS Hyper Blade 400/160" M	ALV61165	90
HVLS Hyper Blade 400/160" T	ALV61122	90
HVLS Hyper Blade 500/200" T	ALV61166	90
HVLS Hyper Blade 600/240" T	ALV61167	90
HVLS Hyper Blade 700/280" T	ALV61169	90
HY 3 SI	HY 3 SI	56
ICS280-4EE	ALV812	74
IVRD 500/4	ALV1104	66
IVRD 560/4	ALV1105	66
IVRD EC 450	ALV09803	68
IVRW EC 400	ALV09802	68
KAF250-4E	ALV620	82
KAF305-4E	ALV621	82
KAF380-4E-VS	ALV623	82
KAF450-4DD	ALV627	82
KAF450-4E-VS	ALV626	82
LINEO 100	ALV17144	20
LINEO 100 ES	ALV17159	22
LINEO 100 QUIET	ALV17160	24
LINEO 100 QUIET ES	ALV17170	26
LINEO 100 T	ALV17185	20
LINEO 100 T QUIET	ALV17190	22




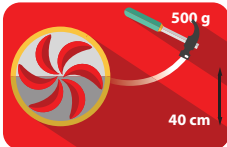



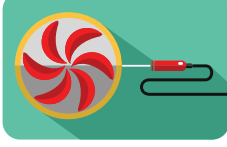






INDEX

Model	Code	Pg
LINEO 125	ALV17145	20
LINEO 125 ES	ALV17178	22
LINEO 125 QUIET	ALV17161	24
LINEO 125 QUIET ES	ALV17171	26
LINEO 125 T	ALV17186	20
LINEO 125 T QUIET	ALV17191	24
LINEO 150	ALV17146	20
LINEO 150 ES	ALV17179	22
LINEO 150 QUIET	ALV17162	24
LINEO 150 QUIET ES	ALV17172	26
LINEO 150 T	ALV17187	20
LINEO 150 T QUIET	ALV17192	24
LINEO 200	ALV17180	20
LINEO 200 ES	ALV17167	22
LINEO 200 QUIET	ALV17164	24
LINEO 200 QUIET ES	ALV17174	26
LINEO 200 T	ALV17177	20
LINEO 200 T QUIET	ALV17194	24
LINEO 250	ALV17181	20
LINEO 250 ES	ALV17168	22
LINEO 250 QUIET	ALV17165	24
LINEO 250 QUIET ES	ALV17175	26
LINEO 315	ALV17182	20
LINEO 315 ES	ALV17169	22
LINEO 315 QUIET	ALV17166	24
LINEO 315 QUIET ES	ALV17176	26
LINEO-G100	ALV22701	58
LINEO-G125	ALV22702	58
LINEO-G150	ALV22703	58
LINEO-G160	ALV22704	58
LINEO-G200	ALV22705	58
LINEO-G250	ALV22706	58
M1/100	ALV6171	6
M1/120	ALV6360	6
M1/150	ALV6041	6
M100/4	ALV11201	11
M100/4 12V*	ALV11203	11
M120/5	ALV11301	11
M150/6	ALV11401	11
MF100/4*	ALV11123	10
MF120/5*	ALV11124	10
MF150/6*	ALV11125	10
MG100/4*LL	ALV11100	16
MG120/5*	ALV11116	16
MG120/5*LL	ALV11102	16
MG150/6*	ALV11117	16
MG150/6*LL	ALV11104	16
Microrapid T 2000V0	ALV70681	101
Microrapid T 600V0	ALV70653	101
QCF315-VEE	ALV80001	76
QCF355-VEE	ALV80002	76

Model	Code	Pg
QCF400-VEE	ALV80003	76
QCF450-VEE	ALV80004	76
QCF500-VDE	ALV80006	76
QCF500-VEE	ALV80005	76
QCF560-VDE	ALV80007	76
QCF630-VDE	ALV80008	76
QCF710-VDE	ALV80009	76
RIS Blue	ALV2400	58
RIS Green	ALV2403	58
RIS Red	ALV2402	58
RIS White	ALV2401	58
RIS Yellow	ALV2404	58
RRK 180 Ex	ALV42359	83
RRK 200 Ex	ALV42263	83
RRK 250 Ex	ALV42309	83
Spring Black	ALV2412	58
Spring Blue	ALV2411	58
Spring Brown	ALV2410	58
Spring Green	ALV2414	58
Spring Hanger Black	ALV2422	58
Spring Hanger Blue	ALV2421	58
Spring Hanger Brown	ALV2420	58
Spring Hanger Green	ALV2424	58
Spring Hanger Grey	ALV2425	58
Spring Hanger Orange	ALV2426	58
Spring Hanger Red	ALV2423	58
Spring Orange	ALV2415	58
Spring Red	ALV2413	58
Spring Yellow	ALV2409	58
SRC-0	ALV1500	89
SRC-0+	ALV1501	89
SRC-1	ALV1503	89
SRC-2	ALV1504	89
SRC-2+	ALV1502	89
SRC-3	ALV1505	89
SRC-4	ALV1506	89
SRC-5	ALV1508	89
SRC-6	ALV1510	89
SRC-7	ALV1507	89
TA3	ALV601	56
TC5044	ALV133	69
Thermologika A	ALV70015	99
Thermologika Grigio	ALV70004	98
Thermologika Soleil Plus	ALV70070	100
VA-10K-EC	ALV607	56
VARIO150/6* AR LL S	ALV12615	12
VARIO150/6*P ALV12611	ALV12611	12
VARIO150/6*P LL S ALV12614	ALV12614	12
VARIO150/6*AR	ALV12612	12
VARIO230/9*P	ALV12451	12
VARIO230/9*AR	ALV12452	12

Model	Code	Pg
VARIO230/9*AR LL S	ALV12455	12
VARIO300/12*AR	ALV12412	12
VARIO300/12*AR LL S	ALV12415	12
VORT HRW 60 MONO EVO HCS	ALV12431	31
VORT HRW 60 MONO EVO HCS WIFI	ALV12432	31
VORT Optimal Dry R	ALV19227	104
VORT Super Dry UVB Silver	ALV70908	104
VORT Super Dry UVB White	ALV70907	104
VRC190-2E	ALV841	80
VRC220-2E	ALV843	80
VRC220-4E	ALV845	80
VRC280-4E	ALV847	80
VRC280-6E	ALV848	80
VRC315-4E	ALV849	80
VRC315-6E	ALV880	80
VRC355-4E	ALV881	80
VRC355-6E	ALV882	80
VRC400-4E	ALV883	80
VSRC-1000	ALV1646	89
VSRC-1120	ALV16453	89
VSRC-1250	ALV1661	89
VSRC-1400	ALV16454	89
VSRC-1500	ALV16455	89
VSRC-400	ALV16450	89
VSRC-500	ALV1644	89
VSRC-560	ALV16451	89
VSRC-630	ALV16452	89
VSRC-710	ALV1647	89
VSRC-800	ALV1648	89

INTERNATIONAL PROTECTION RATINGS

PROTECTION AGAINST SOLIDS			PROTECTION AGAINST LIQUIDS			PROTECTION AGAINST IMPACT		
No.	TEST	PROTECTION	No.	TEST	PROTECTION	No.	TEST	PROTECTION
X	No test applied	No specific protection	X	No test applied	No specific protection	X	No test applied	No specific protection
0	No test applied	Inherent degree of protection	0	No test applied	Inherent degree of protection	1	 150 g 15 cm	Resistant to impacts of weight up to 150g falling from 15cm
1	 Protected against solid objects equal to or greater than 50mm diameter (eg: accidental contact with hand)		1	 Protected against drops of water falling vertically		3	 250 g 20 cm	Resistant to impacts of weight up to 250g falling from 20cm
2	 Protected against solid objects equal to or greater than 12.5mm diameter (eg: contact with finger)		2	 Protected against drops of water falling at up to 15° from the vertical		5	 500 g 40 cm	Resistant to impacts of weight up to 500g falling from 40cm
3	 Protected against solid objects equal to or greater than 2.5mm diameter (eg: tools and wires)		3	 Protected against spraying water up to 60° from the vertical		7	 1.5 kg 40 cm	Resistant to impacts of weight up to 1.5kg falling from 40cm
4	 Protected against solid objects equal to or greater than 1mm diameter (eg: fine tools and wires)		4	 Protected against splashing water from all directions		9	 5 kg 40 cm	Resistant to impacts of weight up to 5kg falling from 40cm
5	 Protected against quantities of dust that could interfere with satisfactory operation		5	 Protected against jets of water from all directions		Defined by UTE 20010		
6	 Completely protected against dust		6	 Protected against jets of water of similar force to heavy seas		 Bringing Air to Life. 62 Enterprise Drive BERESFIELD NSW 2322 Freecall: 1300 883 544 E: sales@allvent.com.au W: www.allvent.com.au		
Defined by IEC 60529 DIN 40050 CEI 70-1			7	 Protected against the effects of temporary immersion				
To Australian standards AS 60529-2004 Degrees of protection provided by enclosures. (IP Code)			8	 Protected against the effects of continuous immersion				

Defined by IEC 60529



Bringing Air to Life.